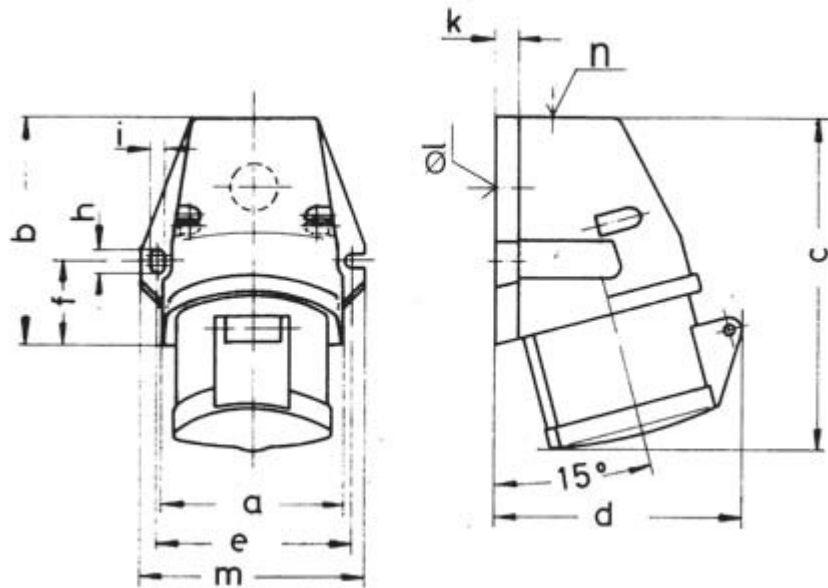


**Quick Connect Red Surface Mounting Socket With Top Cable Entry 3P+E (6H)
IP44 16A 415V**



Dimensions

All dimensions in mm.



a	b	c	d
72.4	90	130	96
e	f	h	i
77	33.5	9	5.5
k	lØ	m	n
9	21	87	M25

Conductor mm² min Conductor mm² max

1.5 4