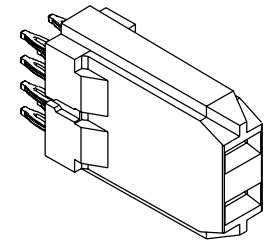
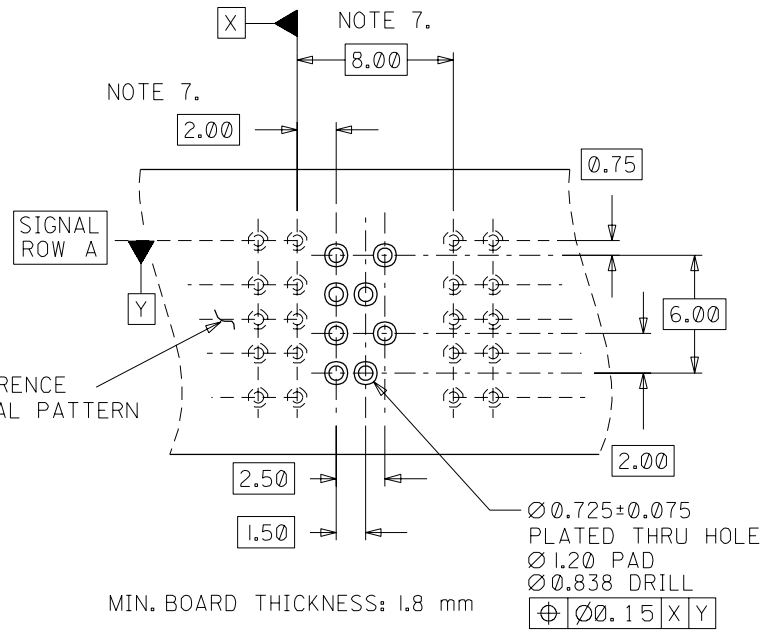
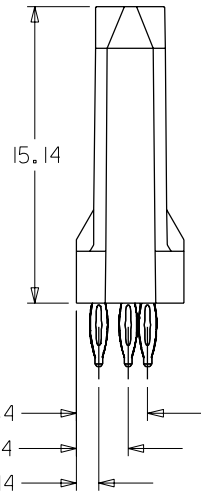
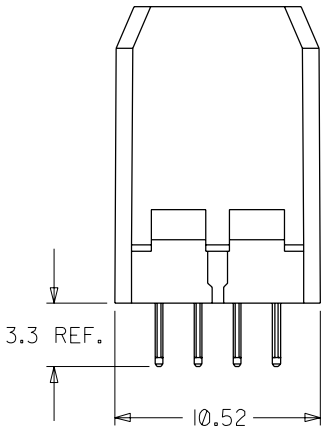
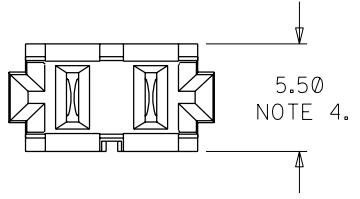
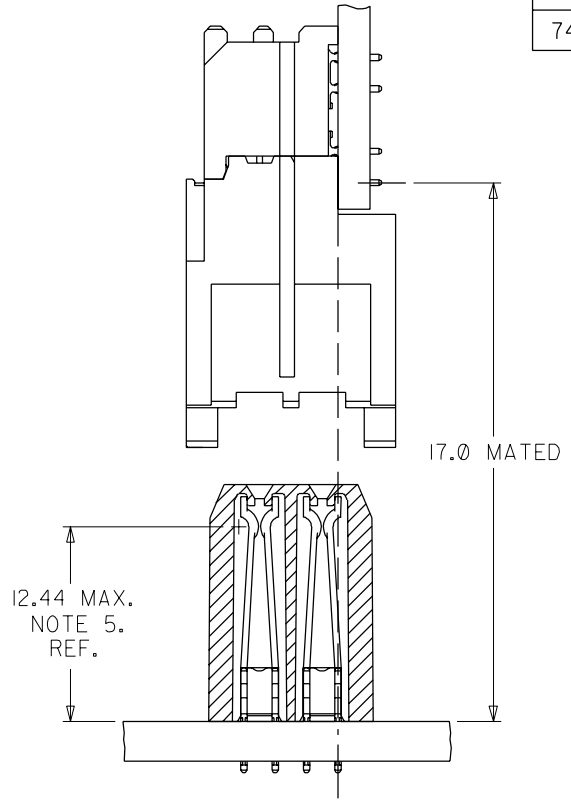


ASSEMBLY #	CONTACT PLATING
74029-6000	SEE NOTE 2.
74029-6050	SEE NOTE 3.

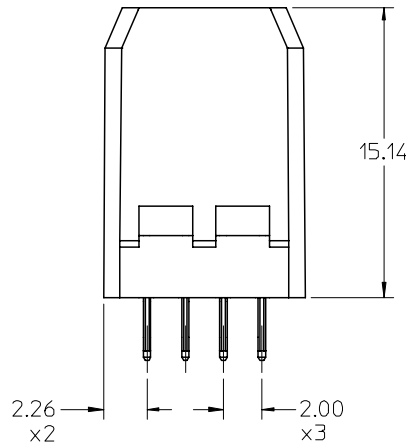
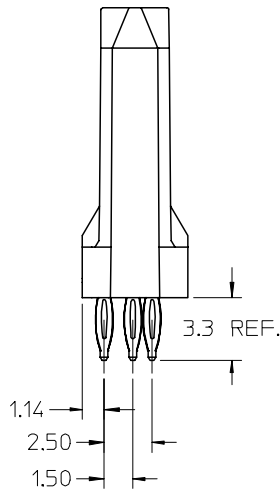
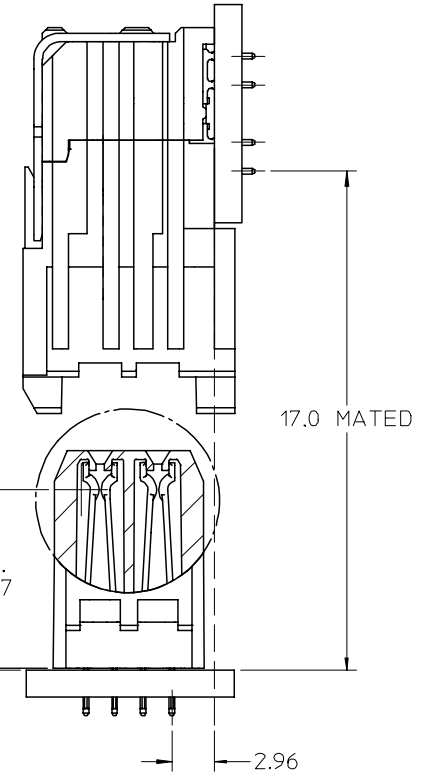
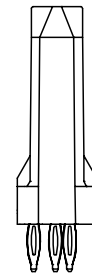
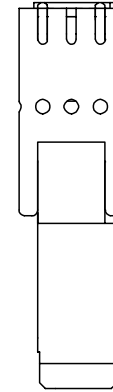
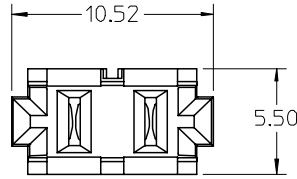


- NOTES:
1. MATERIALS: HOUSING - GLASS FILLED LIQUID CRYSTAL POLYMER, UL 94V-0, BLACK; TERMINAL - COPPER ALLOY.
  2. FINISH: SELECT GOLD IN CONTACT AREA, 30 microINCH THICK; TIN/LEAD IN COMPLIANT AREA.
  3. FINISH: SELECT GOLD IN CONTACT AREA, 50 microINCH THICK; TIN/LEAD IN COMPLIANT AREA.
  4. USE 6.0 mm NOMINAL FOR BACKPLANE LAYOUT.
  5. DIMENSION IS MEASURED FROM BOTTOM OF HOUSING.
  6. PACKED PER PK-70873-0876.
  7. THIS DIMENSION TO BE MULTIPLE OF 2.00 mm AS REQUIRED.

INITIAL RELEASE EC NO. LDT2001-0940 DRWN: ELO 01/05/02 CHK: GORSKI 01/05/03 APPR: BIXLER 01/05/07	QUALITY SYMBOLS MAJOR $\nabla = 0$ CRITICAL $\nabla C = 0$	GENERAL TOLERANCES: (UNLESS SPECIFIED)		SCALE 4 : 1	DESIGN UNITS <input checked="" type="checkbox"/> mm <input type="checkbox"/> INCH	DIMENSIONS: <input type="checkbox"/> mm <input type="checkbox"/> INCH <input checked="" type="checkbox"/> mm ONLY	SHT REV REVISION ON CAD ONLY
		4 PLACES ±0.     ±.	DRAWN BY & DATE ELO 01/50/02	TITLE: HSD POWER 5 ROW BACKPLANE SALES ASSEMBLY			
		3 PLACES ±0.     ±.	CHECKED BY & DATE GORSKI 01/05/03	MOLEX INCORPORATED			
		2 PLACES ±0.     ±.	APPROVED BY & DATE BIXLER 01/05/07	MATERIAL NO. SEE CHART	DRAWING NO. SD-74029-006	SHEET NO. 1 OF 1	
1 PLACE ±0.     ±.	ANGULAR: ± °	CAD FILENAME SD-74029-006.S01	THIS DRAWING CONTAINS INFORMATION THAT IS PROPRIETARY TO MOLEX INCORPORATED AND SHOULD NOT BE USED WITHOUT WRITTEN PERMISSION.		SIZE B		
DRAFT WHERE APPLICABLE MUST REMAIN WITHIN DIMENSIONS	A						

NOTES:

1. MATERIALS:  
HOUSING - LIQUID CRYSTAL POLYMER (LCP),  
UL94 V-0, COLOR: BLACK.  
TERMINAL - COPPER ALLOY
2. FINISH: 30 μ IN MIN. GOLD ON MATING SURFACE;  
TIN/LEAD ON TAILS; NICKEL UNDERPLATE.
3. FINISH: 50 μ IN MIN. GOLD ON MATING SURFACE;  
TIN/LEAD ON TAILS; NICKEL UNDERPLATE.
4. THIS PART CONFORMS TO PRODUCT SPECIFICATION  
PS-74031-999.
5. SINGLE ROW ASSEMBLY PACKED PER PK-70873-0876.
6. MATES WITH 74026 SERIES DAUGHTERCARD POWER ASSEMBLY.
7. MATING INTERFACE MEASURED FROM BOTTOM OF HOUSING.



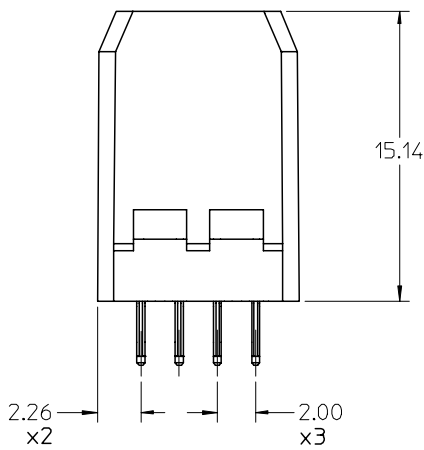
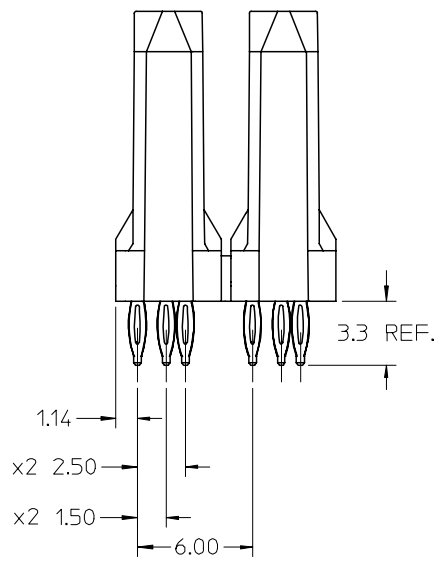
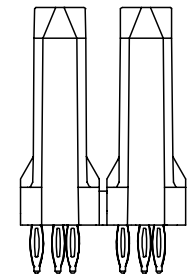
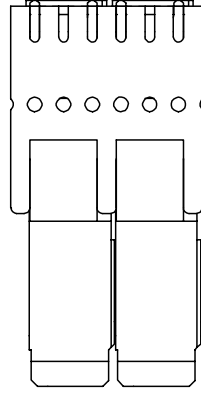
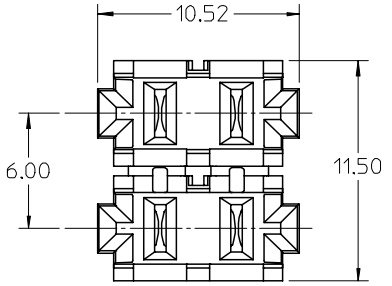
SINGLE ROW ASSEMBLY

MOLEX P/N	GOLD THICKNESS
74029-6000	30uin
74029-6050	50uin

INITIAL RELEASE EC NO: UCP2005-2659 DRWN: JONAK 2005/09/01 CHKD: SREED 2005/09/01 APPR: CBIXLER 2005/09/02	QUALITY SYMBOLS	GENERAL TOLERANCES (UNLESS SPECIFIED)	SCALE 4:1	DESIGN UNITS METRIC	THIRD ANGLE PROJECTION	REVISE ON CAD ONLY															
	DESCRIPTION ▽ = 0 ▽ = 0	<table border="1"> <thead> <tr> <th></th> <th>mm</th> <th>INCH</th> </tr> </thead> <tbody> <tr> <td>4 PLACES</td> <td>± ---</td> <td>± ---</td> </tr> <tr> <td>3 PLACES</td> <td>± ---</td> <td>± ---</td> </tr> <tr> <td>2 PLACES</td> <td>± ---</td> <td>± ---</td> </tr> <tr> <td>1 PLACE</td> <td>± ---</td> <td>± ---</td> </tr> </tbody> </table>		mm	INCH	4 PLACES	± ---	± ---	3 PLACES	± ---	± ---	2 PLACES	± ---	± ---	1 PLACE	± ---	± ---	DIMENSION STYLE MM ONLY	TITLE	VHDM/HSD POWER 6 ROW BACKPLANE SALES ASSEMBLY	
			mm	INCH																	
	4 PLACES	± ---	± ---																		
3 PLACES	± ---	± ---																			
2 PLACES	± ---	± ---																			
1 PLACE	± ---	± ---																			
DRAFT WHERE APPLICABLE	MUST REMAIN WITHIN DIMENSIONS	DRAWN BY DATE ELO 2003/07/14	CHECKED BY DATE STANFORD 2003/07/17	APPROVED BY DATE BIXLER 2003/07/21	MATERIAL NO. SEE CHART	DOCUMENT NO. SD-74029-011															
REV			THIS DRAWING CONTAINS INFORMATION THAT IS PROPRIETARY TO MOLEX INCORPORATED AND SHOULD NOT BE USED WITHOUT WRITTEN PERMISSION																		

NOTES:

1. THIS DESIGN INTENDED AS OPTION TO HAVING TWO SINGLE ROW MODULES NEXT TO EACH OTHER.
2. FINISH: 30 μ IN GOLD ON MATING SURFACE; TIN/LEAD ON TAILS; NICKEL UNDERPLATE.
3. FINISH: 50 μ IN GOLD ON MATING SURFACE; TIN/LEAD ON TAILS; NICKEL UNDERPLATE.
4. DUAL ROW ASSEMBLIES PACKED PER PK-70873-545.

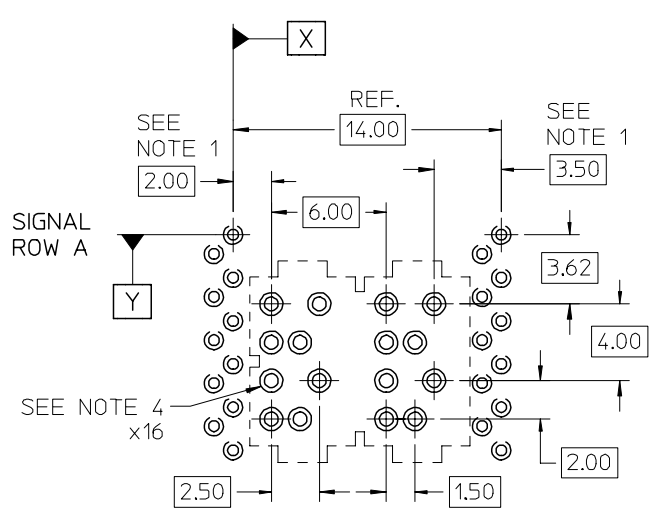


DUAL ROW ASSEMBLY

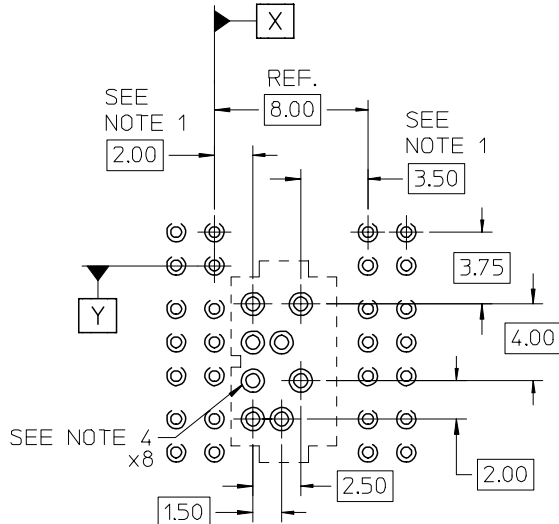
MOLEX P/N	CONTACT PLATING
74029-6002	SEE NOTE 2.
74029-6052	SEE NOTE 3.

INITIAL RELEASE EC NO: UCP2005-2659 DRWN: JONAK 2005/09/01 CHKD: SREED 2005/09/01 APPR: CBIXLER 2005/09/02	QUALITY SYMBOLS	GENERAL TOLERANCES (UNLESS SPECIFIED)	SCALE 4:1	DESIGN UNITS METRIC	THIRD ANGLE PROJECTION	REVISE ON CAD ONLY															
	▽ = 0	<table border="1"> <thead> <tr> <th></th> <th>mm</th> <th>INCH</th> </tr> </thead> <tbody> <tr> <td>4 PLACES</td> <td>± ---</td> <td>± ---</td> </tr> <tr> <td>3 PLACES</td> <td>± ---</td> <td>± ---</td> </tr> <tr> <td>2 PLACES</td> <td>± ---</td> <td>± ---</td> </tr> <tr> <td>1 PLACE</td> <td>± ---</td> <td>± ---</td> </tr> </tbody> </table>		mm	INCH	4 PLACES	± ---	± ---	3 PLACES	± ---	± ---	2 PLACES	± ---	± ---	1 PLACE	± ---	± ---	DIMENSION STYLE MM ONLY	TITLE	VHDM/HSD POWER 6 ROW BACKPLANE SALES ASSEMBLY	
		mm	INCH																		
	4 PLACES	± ---	± ---																		
3 PLACES	± ---	± ---																			
2 PLACES	± ---	± ---																			
1 PLACE	± ---	± ---																			
▽ = 0	ANGULAR ± 5 °	DRAFT WHERE APPLICABLE MUST REMAIN WITHIN DIMENSIONS	DRAWN BY DATE ELO 2003/07/14	CHECKED BY DATE STANFORD 2003/07/17	MOLEX INCORPORATED MATERIAL NO. SEE CHART DOCUMENT NO. SD-74029-011 SHEET NO. 2 OF 3																
REV	DESCRIPTION		APPROVED BY DATE		THIS DRAWING CONTAINS INFORMATION THAT IS PROPRIETARY TO MOLEX INCORPORATED AND SHOULD NOT BE USED WITHOUT WRITTEN PERMISSION																

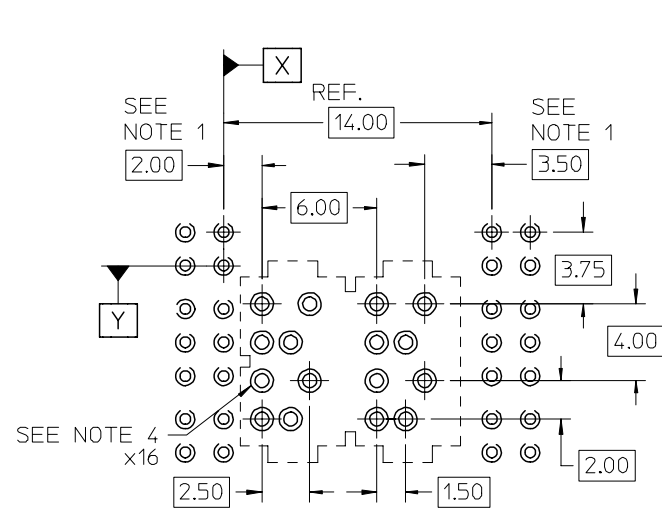
# BOARD LAYOUTS: 1.8 mm MIN. BOARD THICKNESS



VHDM DUAL ROW POWER



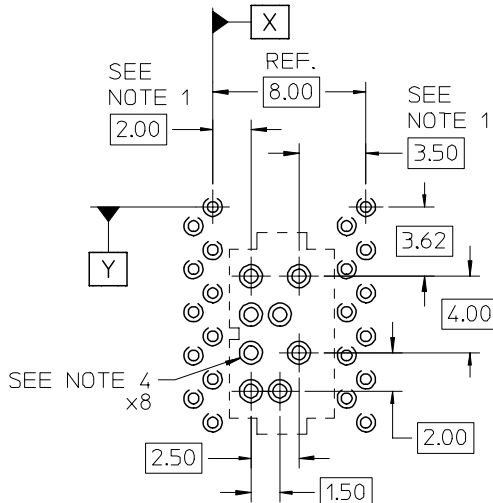
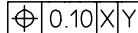
VHDM-HSD SINGLE ROW POWER



VHDM-HSD DUAL ROW POWER

NOTES:

1. ADDITIONAL SPACING CAN BE ADDED IN MULTIPLES OF 2.0 mm AS REQUIRED. FOR EACH ADDITIONAL SINGLE ROW POWER, ADD 6.00 mm.
2. SIGNAL ROW A IS IN LINE WITH DATUM Y IN ALL FOUR LAYOUTS.
3. FOUR HOLES ARE USED PER POWER CONTACT.
4. EACH POWER HOLE TO BE MANUFACTURED AS FOLLOWS:  
 $\varnothing 0.725 \pm 0.075$  PLATED THROUGH HOLE  
 $\varnothing 1.20$  PAD  
 $\varnothing 0.838$  DRILL



VHDM SINGLE ROW POWER

INITIAL RELEASE EC NO: UCP2005-2659 DRWN: JONAK 2005/09/01 CHKD: SREED 2005/09/01 APPR: CBIXLER 2005/09/02	QUALITY SYMBOLS	GENERAL TOLERANCES (UNLESS SPECIFIED)		SCALE 4:1	DESIGN UNITS METRIC	THIRD ANGLE PROJECTION	REVISE ON CAD ONLY	
	DESCRIPTION ▼ - 0 ∇ - 0		mm	INCH	DIMENSION STYLE MM ONLY		TITLE	
		4 PLACES	± ---	± ---	DRAWN BY ELO	DATE 2003/07/14	VHDM/HSD POWER 6 ROW BACKPLANE SALES ASSEMBLY	
		3 PLACES	± ---	± ---	CHECKED BY STANFORD	DATE 2003/07/17	MOLEX INCORPORATED	
	2 PLACES	± ---	± ---	APPROVED BY BIXLER DATE 2003/07/21		MATERIAL NO. SEE SHT 1 & 2	DOCUMENT NO. SD-74029-011	
	1 PLACE	± ---	± ---	DRAFT WHERE APPLICABLE			SHEET NO. 3 OF 3	
		ANGULAR ± 5 °		MUST REMAIN WITHIN DIMENSIONS		THIS DRAWING CONTAINS INFORMATION THAT IS PROPRIETARY TO MOLEX INCORPORATED AND SHOULD NOT BE USED WITHOUT WRITTEN PERMISSION		