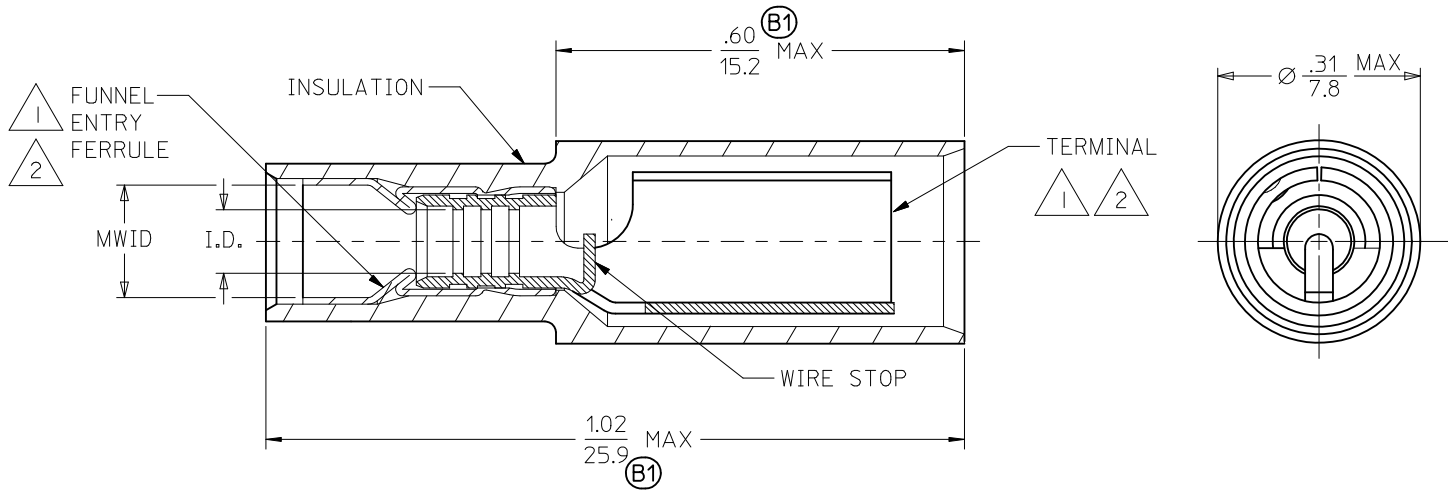
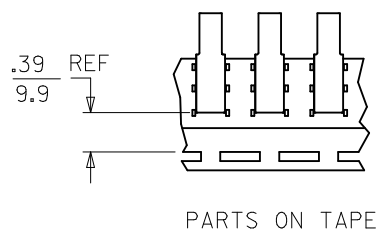


10	9	8	7	6	5	4	3	2		
MATERIAL NUMBER	ENGINEERING NUMBER	TAPE MATERIAL NUMBER	TAPE ENGINEERING NUMBER	WIRE RANGE AWG	MM ²	INSULATION HOUSING MATERIAL	INSULATION COLOR	FITS MALE PLUG DIA.	I.D. (B1) MIN.	MWID (B1)
190390001	BRA-8156	190390026	BRA-8156T	22-18	0.25-1.3	PVC	RED	.156/(3.96)	.065/(1.65)	.125/(3.18)
190390002	BRA-8156N	190390015	BRA-8156NT	22-18	0.25-1.3	NYLON	LIGHT RED	.156/(3.96)	.065/(1.65)	.125/(3.18)
190390003	BRA-8156NDK	---	---	22-18	0.25-1.3	NYLON	DARK RED	.156/(3.96)	.065/(1.65)	.125/(3.18)
190390004	BRA-8180	190390029	BRA-8180T	22-18	0.25-1.3	PVC	RED	.180/(4.57)	.065/(1.65)	.125/(3.18)
190390005	BRA-8180N	190390017	BRA-8180NT	22-18	0.25-1.3	NYLON	RED	.180/(4.57)	.065/(1.65)	.125/(3.18)
190390006	BRB-8156	190390023	BRB-8156T	16-14	1.0-2.6	PVC	BLUE	.156/(3.96)	.085/(2.16)	.145/(3.68)
190390007	BRB-8156N	190390016	BRB-8156NT	16-14	1.0-2.6	NYLON	LIGHT BLUE	.156/(3.96)	.085/(2.16)	.145/(3.68)
190390008	BRB-8156NDK	---	---	16-14	1.0-2.6	NYLON	DARK BLUE	.156/(3.96)	.085/(2.16)	.145/(3.68)
190390009	BRB-8180	190390030	BRB-8180T	16-14	1.0-2.6	PVC	BLUE	.180/(4.57)	.085/(2.16)	.145/(3.68)
190390010	BRB-8180N	190390018	BRB-8180NT	16-14	1.0-2.6	NYLON	BLUE	.180/(4.57)	.085/(2.16)	.145/(3.68)



- NOTES:
- 1. MATERIAL: BRASS
 - 2. FINISH: ELECTRO-TIN PLATING
 - 3. INSULATION MATERIAL: SEE CHART
 - 4. MWID - MAXIMUM WIRE INSULATION DIAMETER
 - (B1) 5. PARTS ARE ROHS COMPLIANT.

SALES DRAWING

REVISE TOLERANCES EC NO: WNA2011-0178 DRW: HETHRODAHL 2010/10/08 CHKD: JMACNEIL 2010/10/10 APPR: JMACNEIL 2010/11/11	QUALITY SYMBOLS	GENERAL TOLERANCES (UNLESS SPECIFIED)	DIMENSION STYLE	SCALE	DESIGN UNITS	THIRD ANGLE PROJECTION
	▽=0	mm INCH	IN/MM	NONE	INCH	
	▽=0	4 PLACES ± --- ± ---	DRAWN BY DATE			
		3 PLACES ± --- ± .005	BRE 2002/07/15	TITLE		
		2 PLACES ± 0.13 ± .01	CHECKED BY DATE	AVIKRIMP FEMALE BULLET RECEPTACLE		
	1 PLACE ± 0.25 ± ---	HEB 2002/07/15	MOLEX INCORPORATED			
	ANGULAR ± ---°	APPROVED BY DATE	DOCUMENT NO.			
		JMACNEIL 2010/11/11	SD-19039-001			
		MATERIAL NO.	SHEET NO.			
			1 OF 1			
			THIS DRAWING CONTAINS INFORMATION THAT IS PROPRIETARY TO MOLEX INCORPORATED AND SHOULD NOT BE USED WITHOUT WRITTEN PERMISSION			