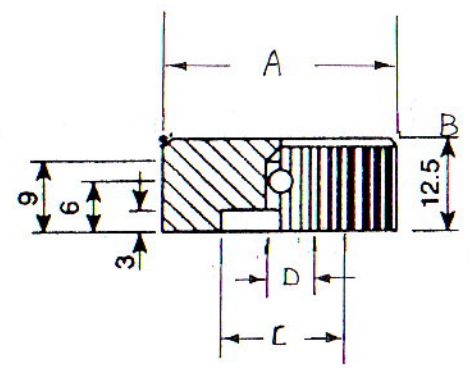
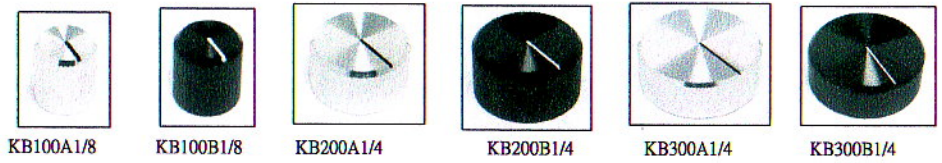


P/N	A	B	C	D	Color
KB100A1/8	10.0	12.5	8.0	3.2	Natural
KB100B1/8	10.0	12.5	8.0	3.2	Black
KB200A1/4	20.0	12.5	15.0	6.4	Natural
KB200B1/4	20.0	12.5	15.0	6.4	Black
KB300A1/4	30.0	12.5	25.0	6.4	Natural
KB300B1/4	30.0	12.5	25.0	6.4	Black



嘉信旋鈕股份有限公司
 CHIA SHIN KNOBS CO., LTD.
 351, YUNGHO ROAD,
 CHUNGHO CITY,
 TAIPEI HSIEN,
 TEL:(02)2225-1216~7
 FAX:(02)2222-7312

Material: ALUMINUM SOLIDE
 Tolerance: +/-0.20
 Unit : mm

P/N:	
CHIA SHIN P/N:	KB SERIES

Date: 1-Sep-07