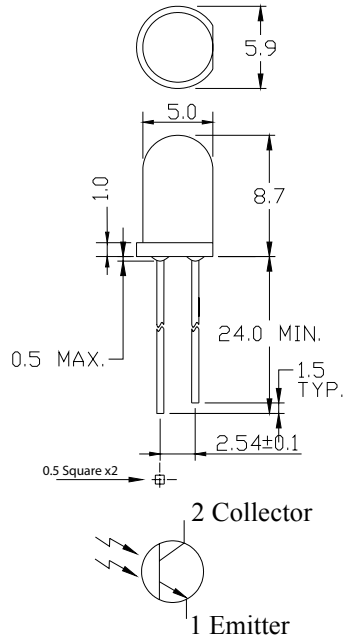


5.0mm Round Phototransistor

OFT-53 Series

Features:

- Standard 5mm Package
- High Sensitivity



Typical Electrical / Optical Characteristics Curves:

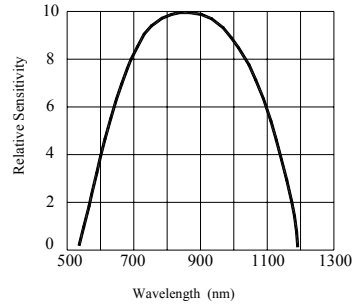


Fig. 1 Spectral Sensitivity VS. Peak Wavelength

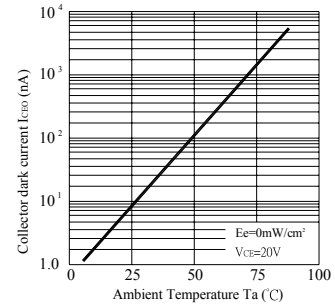


Fig. 2 Collector Dark Current VS. Ambient Temperature

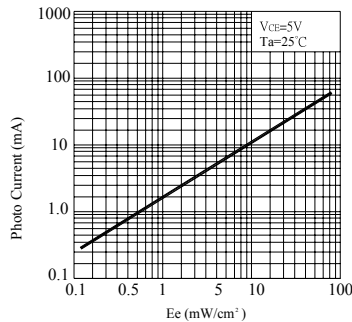


Fig. 3 Photo Current VS. Irradiance

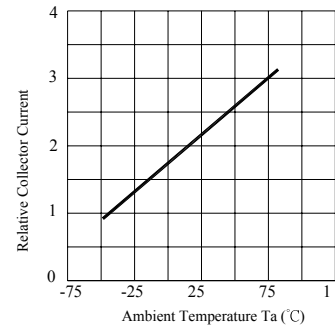


Fig. 4 Collector Current VS. Ambient Temperature

Maximum Ratings at Ta=25°C

Power Dissipation.....	75mW
Collector-emitter voltage	30V
Emitter-collector voltage	5V
Operating Temperature Range	-25 to +85°C
Storage Temperature Range	-40 to +100°C
Soldering Temperature Dip Soldering	260°C for 5 secs
Soldering Temperature Hand Soldering	350°C for 3 secs

Electrical & Optical Characteristics at Ta=25°C

Ant Part No.	Chip		Collector-emitter breakdown voltage (V) (Conditions: E _e =0mW/cm ² I _c =100μA)	Emitter-collector breakdown voltage (V) (Conditions: E _e =0mW/cm ² I _e =100μA)	Collector-emitter saturation voltage (V) (Conditions: E _e =1mW/cm ² I _c =2mA)	Rise Time μS	Fall Time μS	Collector Dark Current (nA) (Conditions: E _e =0mW/cm ² V _{ce} =20V)	On State Collector Current (mA) min. typ. (Conditions: E _e =1mW/cm ² V _{ce} =5V)	Peak Sensitivity Wavelength
	Material	Lens Colour								
OFT-5301	Silicon	Black	30	5	0.3	15	15	100	0.6 2.0	860

Disclaimer This data sheet and its contents (the "Information") belong to the Premier Farnell Group (the "Group") or are licensed to it. No licence is granted for the use of it other than for information purposes in connection with the products to which it relates. No licence of any intellectual property rights is granted. The Information is subject to change without notice and replaces all data sheets previously supplied. The Information supplied is believed to be accurate but the Group assumes no responsibility for its accuracy or completeness, any error in or omission from it or for any use made of it. Users of this data sheet should check for themselves the Information and the suitability of the products for their purpose and not make any assumptions based on information included or omitted. Liability for loss or damage resulting from any reliance on the Information or use of it (including liability resulting from negligence or where the Group was aware of the possibility of such loss or damage arising) is excluded. This will not operate to limit or restrict the Group's liability for death or personal injury resulting from its negligence. SPC Multicomp is the registered trademark of the Group. © Premier Farnell plc 2008.