

## Cindy-MZEN reflector for SHARP GW5BN... (Mini Zenigata) LEDs



**SHARP.**



- Specially designed for SHARP GW5BN... (Mini Zenigata) series of LEDs.
- Special care taken to make a uniform white or warm white illumination. Lenses work well with other colors, too.
- Lens material optical grade metallized PC. Allows use of high current and temperature conditions (130°C/266°F)
- Best available optical efficiency, over to 90%.
- Fastening of holden to PCB with appropriate adhesive, e.c. epoxy or polyurethane based. **NOTE: DO NOT USE SUPERGLUE.**
- Need HANDPOSITION, please contact us so we can tell you more.

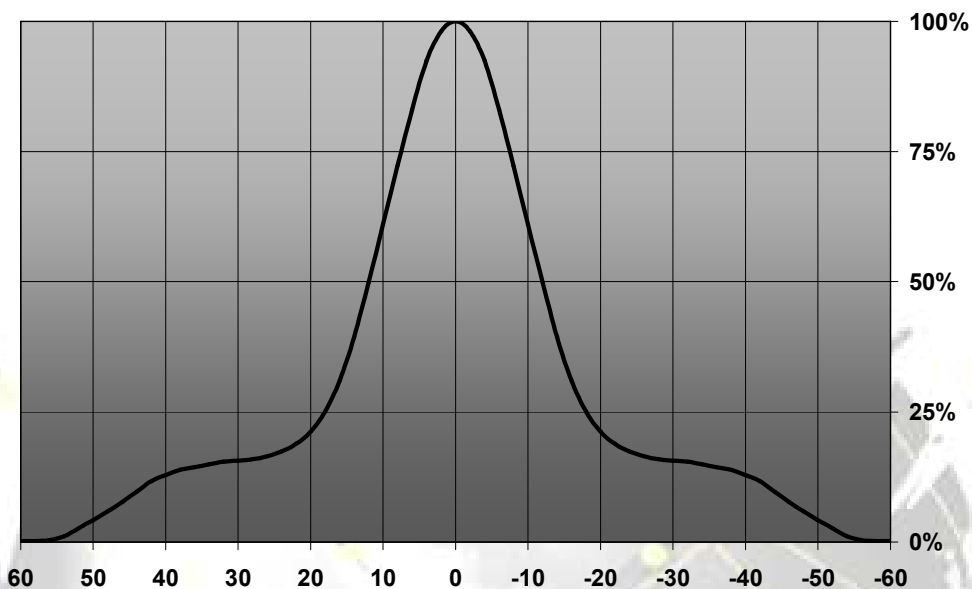
### LENS TYPES

NAME	ORDERING CODE	FWHM Angle
Cindy-MZEN Spot	C10982_Cindy-MZEN-S	±12°
Cindy-MZEN Medium	C10983_Cindy-MZEN-M	±20°
Cindy-MZEN Wide	C10984_Cindy-MZEN-W	±28.5°

© Ledil Oy – PRELIMINARY - Subject to change without prior notice

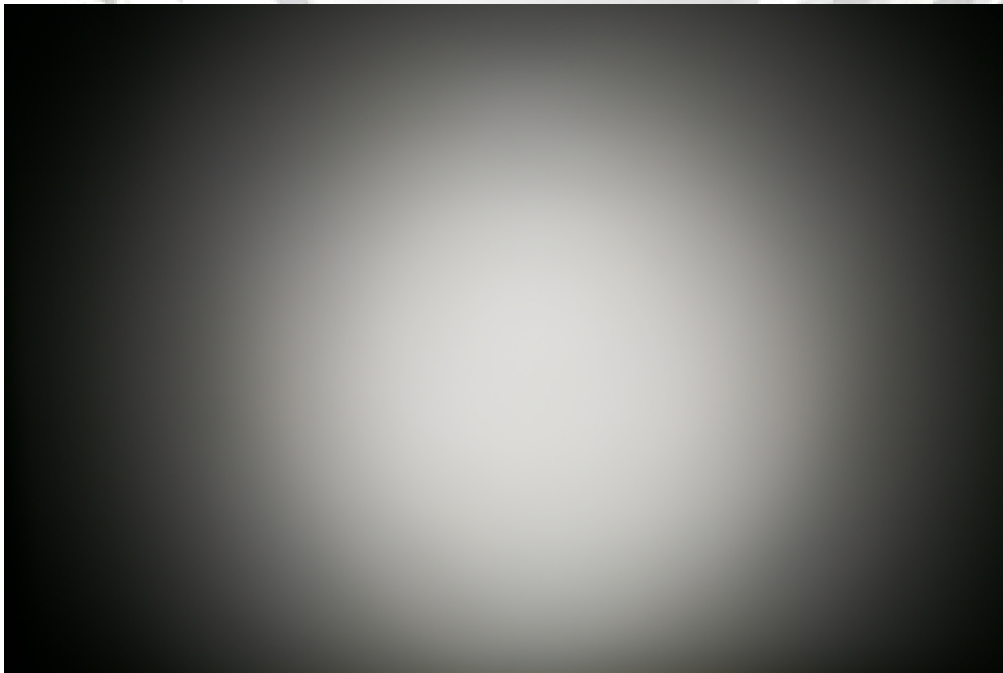
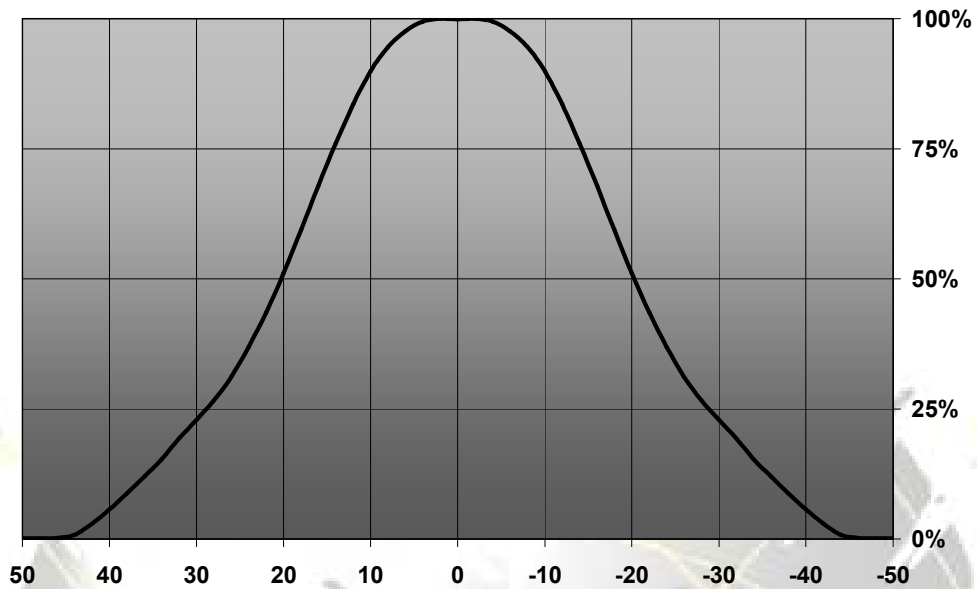
## MEASUREMENT DATA

Relative Intensity of C10859\_Cindy-MZEN-S



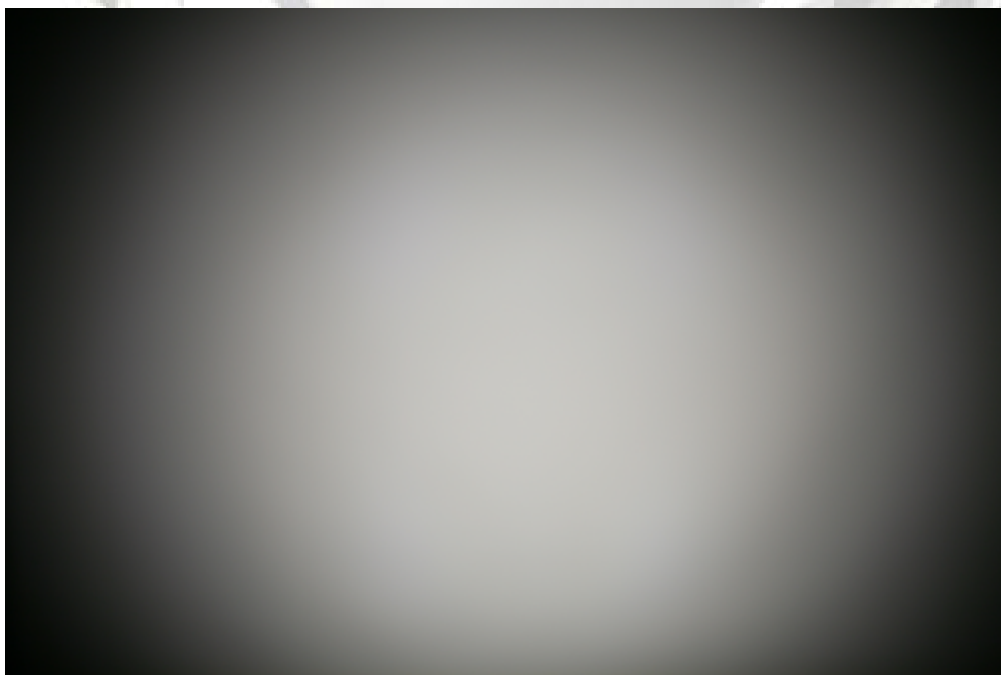
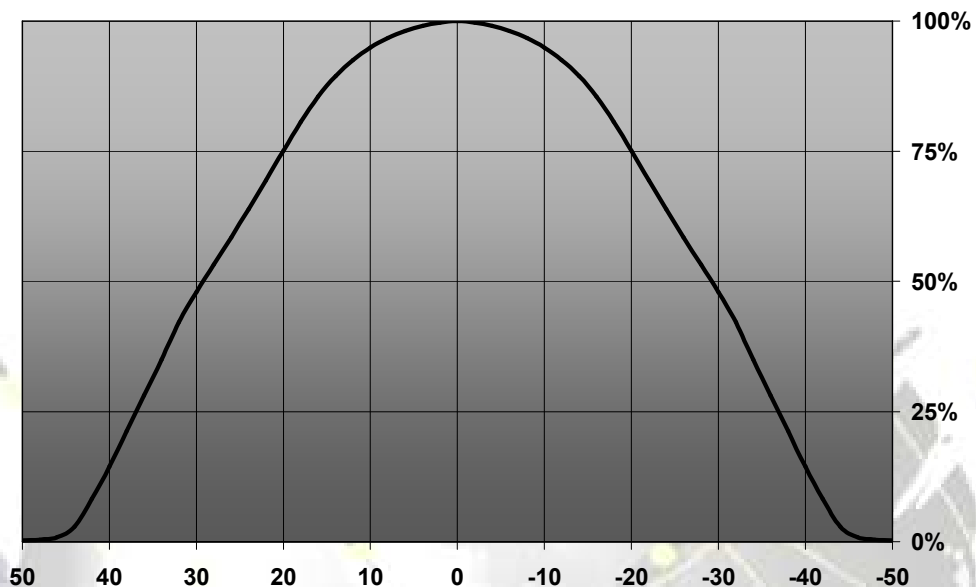
© Ledil Oy – PRELIMINARY - Subject to change without prior notice

Relative Intensity of C10980\_Cindy-MZEN-M



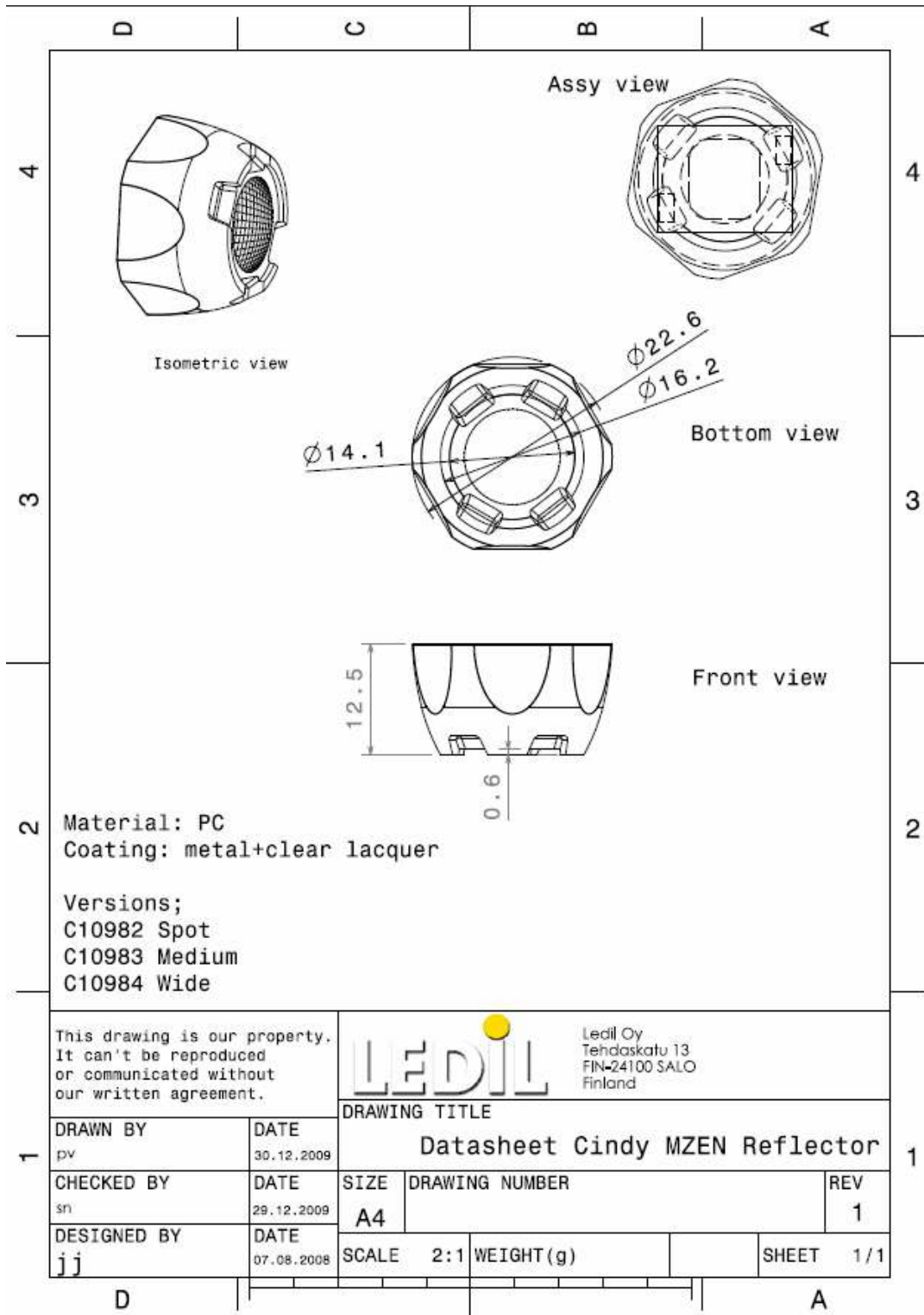
© Ledil Oy – PRELIMINARY - Subject to change without prior notice

Relative Intensity of C10981\_Cindy-MZEN-W



© Ledil Oy – PRELIMINARY - Subject to change without prior notice

## DRAWINGS



© Ledil Oy - PRELIMINARY - Subject to change without prior notice