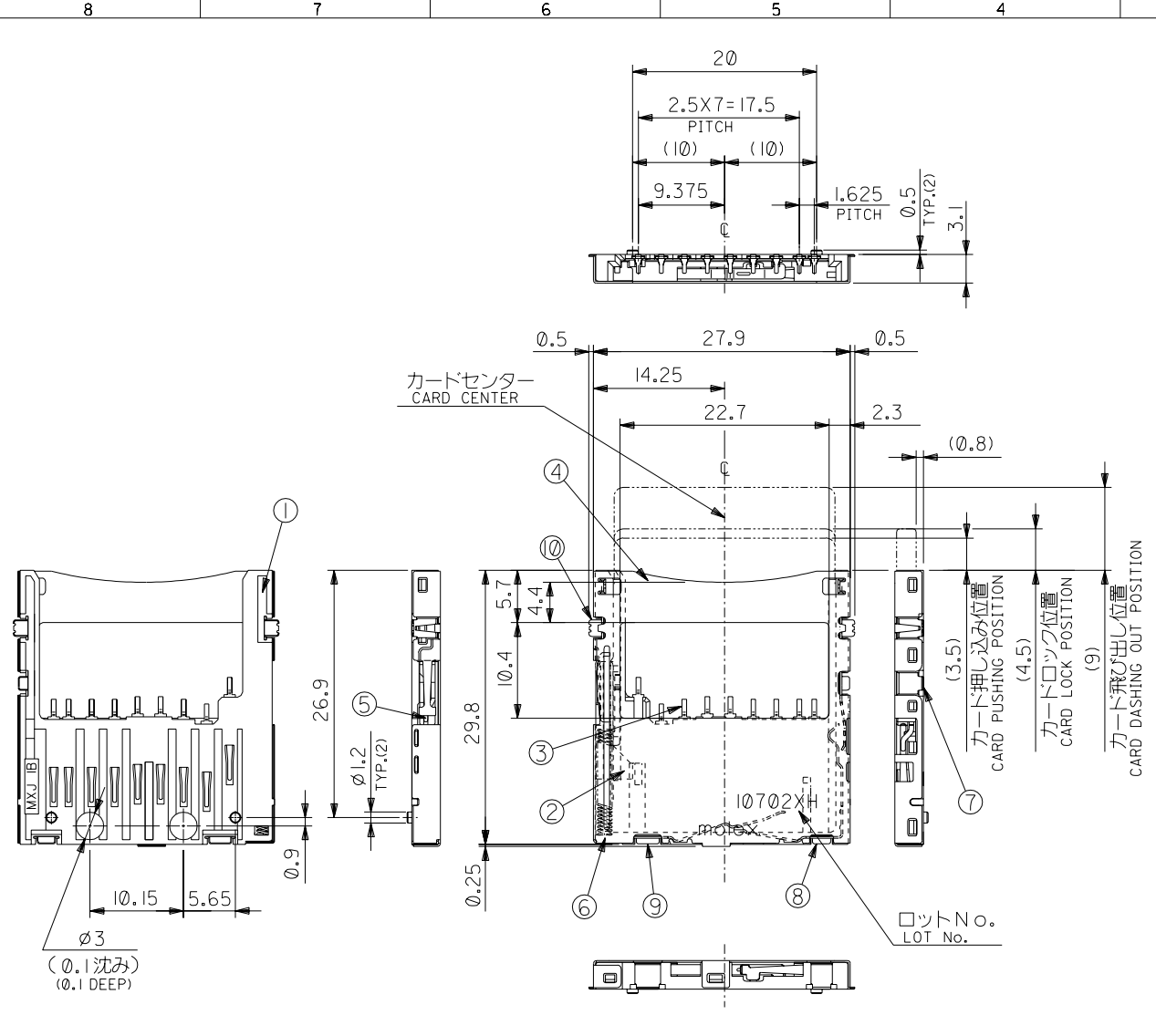


DWG. NO. SD-54794-032

DO NOT SCALE DRAWING



NO.	NAME	QT'Y	MATERIAL
①	ハウジング HOUSING	1	耐熱樹脂, UL94V-0 色:黒 HEAT RESISTANCE POLYMER, UL94V-0, BLACK
②	スライダカム SLIDER CAM	1	耐熱樹脂, UL94V-0 色:黒 HEAT RESISTANCE POLYMER, UL94V-0, BLACK
③	ターミナル TERMINAL	9	銅合金, 接点部:金メッキ COPPER ALLOY, SELECTIVE GOLD PLATING
④	メタルカバー METAL COVER	1	ステンレス鋼 STAINLESS STEEL
⑤	ピン PIN	1	ステンレス鋼 STAINLESS STEEL
⑥	スプリング SPRING	2	ピアノ線 SWP
⑦	プロテクトターミナル PROTECT TERMINAL	1	銅合金, 接点部:金メッキ COPPER ALLOY, SELECTIVE GOLD PLATING
⑧	プロテクト& ディテクトターミナル PROTECT TERMINAL AND DETECT TERMINAL	1	銅合金, 接点部:金メッキ COPPER ALLOY, SELECTIVE GOLD PLATING
⑨	ディテクトターミナル DETECT TERMINAL	1	銅合金, 接点部:金メッキ COPPER ALLOY, SELECTIVE GOLD PLATING
⑩	ネール NAIL	2	銅合金, 錫メッキ COPPER ALLOY, TIN PLATING

- NOTES
- ターミナル及びネイル平坦度は 0.1 MAX.  
TERMINAL AND NAIL COPLANARITY TO BE 0.1 MAX.
  - 各スイッチのオープン/クローズ  
OPENING/CLOSE OF EACH SWITCH

	プロテクトターミナル PROTECT TERMINAL	ディテクトターミナル DETECT TERMINAL
	カード書き込み 禁止状態 WRITE PROTECT POSITION	カード書き込み 可能状態 WRITE ENABLE POSITION
カード未装着状態 CARD UNINSERTION	オープン OPEN	オープン OPEN
カード装着過程 CARD HALF INSERTION	クローズ CLOSE	クローズ CLOSE
カード装着 CARD INSERTION	オープン OPEN	クローズ CLOSE

- 納入時、プッシュ/プッシュ機構はアンロック状態。(カード飛び出し位置)  
WHEN DELIVERING, THE PUSH/PUSH MECHANISM IS IN THE STATE OF THE UNLOCK. (CARD DASHING OUT POSITION)
- 本製品は 54794-\*\*\*11 の鉛フリー品である。  
THIS PRODUCT IS LEAD FREE OF 54794-\*\*\*11.

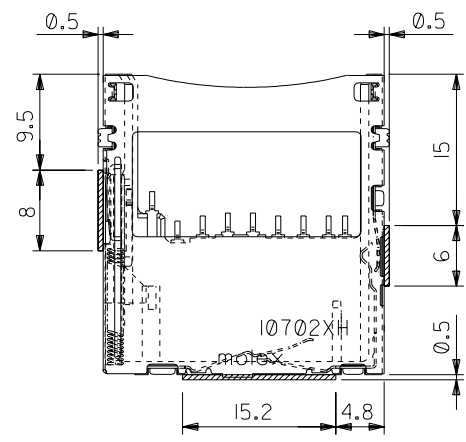
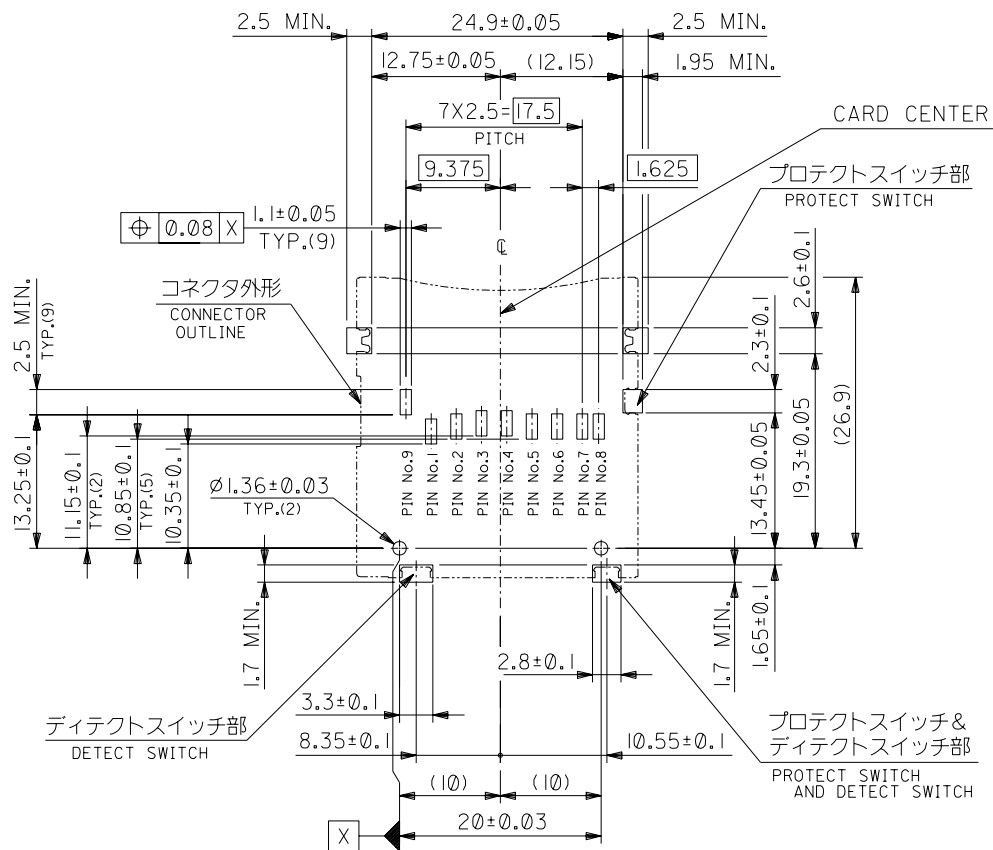
54794-0978 54794-0971  
エンボス梱包品 製品番号(トレイ梱包品)  
EMBOSSED TAPE PACKAGE MATERIAL NO.(TRAY PACKAGE)  
MODEL NO.: 54794-\*\*\*71

変更 EC NO. DRWN: CHK: APPR:	EC NO. DRWN: CHK: APPR:	EC NO. DRWN: CHK: APPR:	EC NO. DRWN: CHK: APPR:	EC NO. DRWN: CHK: APPR:	REVISED '04/05/18 EC NO. J2004-4277 DRWN: T.UENO CHK: M.SASAO APPR: M.SASAO	DESCRIPTION	MATERIAL 材料 表参照 SEE CHART	FINISH 仕上げ 表参照 SEE CHART	WIRE RANGE 適用電線径範囲	INS. RANGE 被覆外径	GENERAL TOLERANCES: (UNLESS SPECIFIED) 一般公差 10 UNDER 未満 ±0.2 10 OVER 30 UNDER 以上 未満 ±0.25 30 OVER 以上 ±0.3	SCALE 2 - 1 DESIGN UNITS THIRD ANGLE PROJECTION DRAWN BY & DATE T.UENO '04/05/18 CHECKED BY & DATE M.SASAO '04/05/18 APPROVED BY & DATE M.SASAO '04/05/18	TITLE: SD MEMORY CARD CONN. ASS'Y (NORMAL TYPE) -LEAD FREE-	DIMENSIONS: mm INCH SHT REV	REVISION ON CAD ONLY	CAD FILENAME SD-54794-032.S01	MATERIAL NO. SEE CHART	DRAWING NO. SD-54794-032	SHEET NO. 1 OF 2
--	----------------------------------	----------------------------------	----------------------------------	----------------------------------	---	-------------	------------------------------------	-----------------------------------	-----------------------	--------------------	--	--	---	--------------------------------------	-------------------------	----------------------------------	---------------------------	-----------------------------	---------------------

THIS DRAWING CONTAINS INFORMATION THAT IS PROPRIETARY TO MOLEX INCORPORATED AND SHOULD NOT BE USED WITHOUT WRITTEN PERMISSION.

SD-54794-032.S01

DWG. NO.  
SD-54794-032



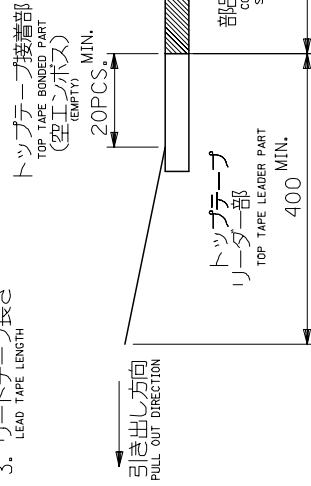
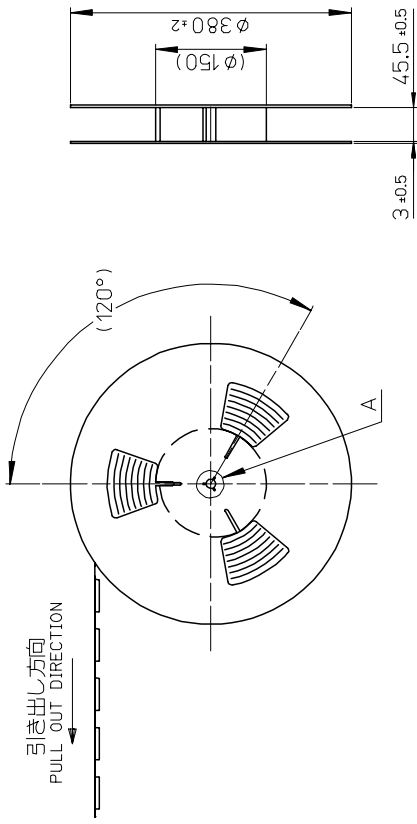
部品実装禁止エリア  
AREA OF PARTS MOUNTING PROHIBITION

DO NOT SCALE DRAWING

EC NO. DRWN: CH'K: APPR:				EC NO. DRWN: CH'K: APPR:				EC NO. DRWN: CH'K: APPR:				EC NO. DRWN: CH'K: APPR:				REVISED '04/05/18 EC NO. J2004-4277 DRWN: T.UENO CH'K: M.SASAO APPR: M.SASAO				MATERIAL 材料				GENERAL TOLERANCES: (UNLESS SPECIFIED) 一般公差				SCALE 2 - 1				DESIGN UNITS mm INCH				THIRD ANGLE PROJECTION				DIMENSIONS: mm INCH mm ONLY				SHT REVISE ON CAD ONLY			
																				10 UNDER 未満 ±0.2				DRAWN BY & DATE T.UENO '04/05/18				TITLE: SD MEMORY CARD CONN. ASS'Y (NORMAL TYPE) -LEAD FREE-				2				REV											
																				10 OVER 30 UNDER 未満 ±0.25				CHECKED BY & DATE M.SASAO '04/05/18								MOLEX MOLEX INCORPORATED				MATERIAL NO. DRAWING NO.				SHEET NO.							
																				30 OVER 以上 ±0.3				APPROVED BY & DATE M.SASAO '04/05/18								SD-54794-032.S02				2											
																								ANGLE 角度 ±3°				THIS DRAWING CONTAINS INFORMATION THAT IS PROPRIETARY TO MOLEX INCORPORATED AND SHOULD NOT BE USED WITHOUT WRITTEN PERMISSION.				SIZE B															

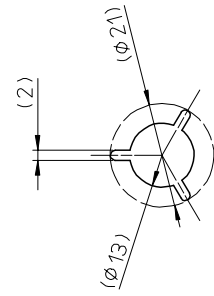
注) NOTES

1. 製品番号 54794-0971 の詳細寸法については、SD-54794-032 を参照下さい。  
IN THE PACKAGE - PART NO.54794-0971 DETAILED DIMENSIONS - SEE SD-54794-032.
2. 梱包数量 : 400 個/リール  
NUMBER OF CONNECTORS : 400 PCS/REEL
3. リードテープ長さ  
LEAD TAPE LENGTH

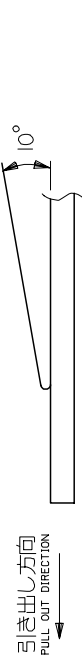


4. トップテープの剥離強度 : (剥離方向は下図参照)  
PEELING OFF FORCE OF TOP TAPE (PEELING DIRECTION AS SHOWN IN FOLLOWING FIG.)  
0. 1 ~ 1. 3 N (1.0 ~ 1.309 gf) : キャリアテープ幅 44 mm  
CARRIER TAPE WIDTH 44mm

尚、本規格値は、出荷時に適用。  
THIS REQUIREMENT SHOULD BE APPLIED AT SHIPMENT  
(但し、輸送時に剥離が発生しない事。)  
(PEEL OFF SHOULD NOT BE ALLOWED DURING TRANSPORTATION)



DETAIL A  
SCALE 1:1



5. 材料  
MATERIAL  
キャリアテープ : ポリプロピレン (PP)  
CARRIER TAPE : POLYPROPYLENE (PP)  
トップテープ : PET, PE, PEF  
TOP TAPE : PET, PE, PEF  
リール : 紙  
REEL : CARDBOARD

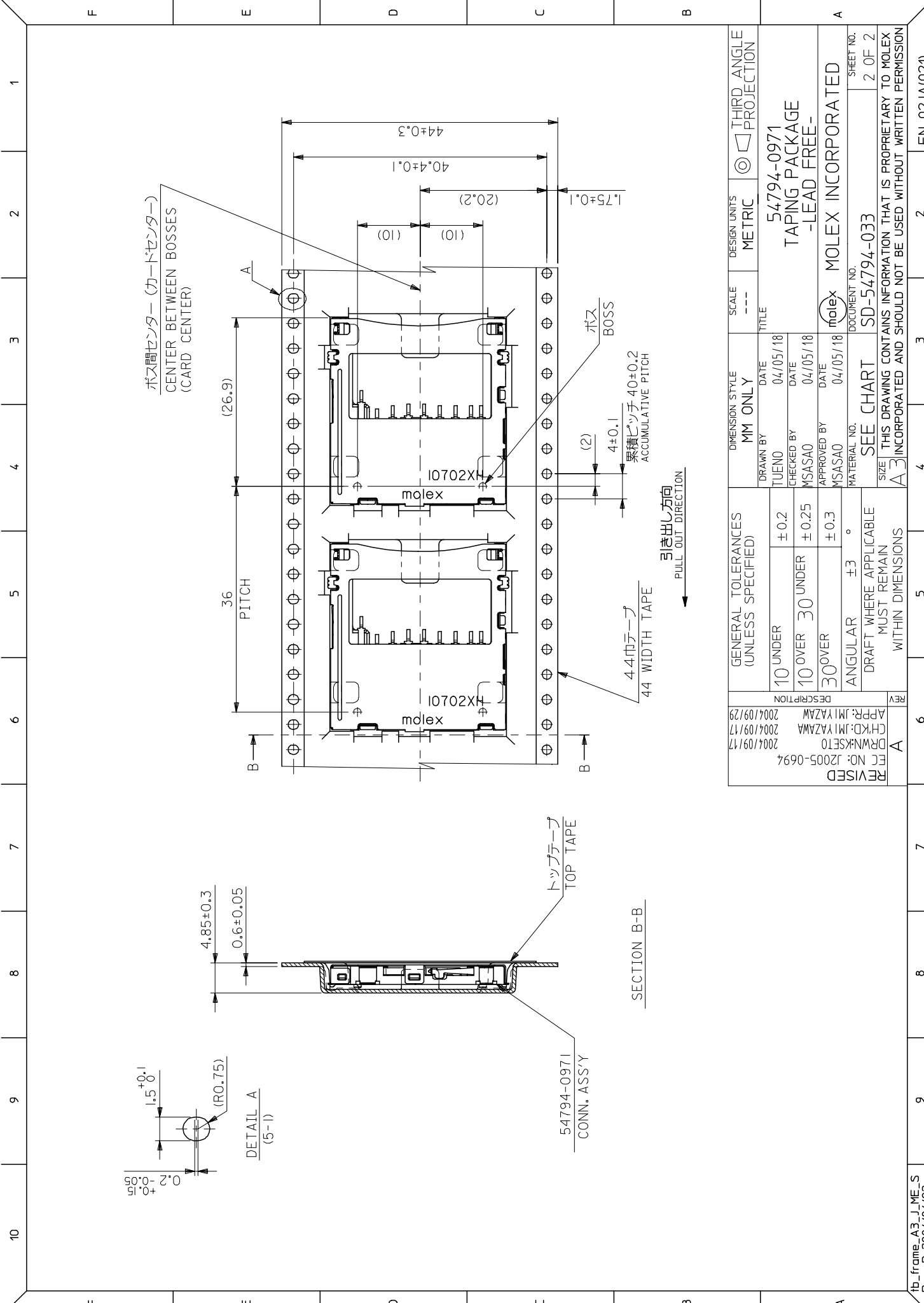
6. 本製品は 54794-0971 の鉛フリー品である。  
THIS PRODUCT IS LEAD FREE OF 54794-0971.

REV	DESCRIPTION
A	REVISED EC NO: J2005-0694 DRW/K:SETO 2004/09/17 CHKD:MIYAZAWA 2004/09/17 APP:MIYAZAWA 2004/09/29

GENERAL TOLERANCES (UNLESS SPECIFIED)	
10 UNDER	± 0.2
10 OVER	± 0.25
30 OVER	± 0.3
ANGULAR	± 3°
DRAFT WHERE APPLICABLE MUST REMAIN WITHIN DIMENSIONS	

DIMENSION STYLE	
MM ONLY	TITLE
DRAWN BY	DATE
TUENO	04/05/18
CHECKED BY	DATE
MSASAO	04/05/18
APPROVED BY	DATE
MSASAO	04/05/18
MATERIAL NO.	DOCUMENT NO.
SEE CHART	SD-54794-033
SIZE THIS DRAWING CONTAINS INFORMATION THAT IS PROPRIETARY TO MOLEX INCORPORATED AND SHOULD NOT BE USED WITHOUT WRITTEN PERMISSION	
A3	INCORPORATED AND SHOULD NOT BE USED WITHOUT WRITTEN PERMISSION

54794-0978	54794-0971	54794-0978	54794-0971
MATERIAL No.	MODEL No.	DESIGN UNITS	THIRD ANGLE PROJECTION
METRIC			
54794-0971 TAPING PACKAGE -LEAD FREE-			
MOLEX INCORPORATED		SHEET NO. 1 OF 2	



GENERAL TOLERANCES (UNLESS SPECIFIED)		DIMENSION STYLE MM ONLY		SCALE	DESIGN UNITS	THIRD ANGLE PROJECTION
10 UNDER	±0.2	DRAWN BY	TUENO	---	METRIC	
10 OVER	30 UNDER	CHECKED BY	MSASAO	TITLE	54794-0971	TAPING PACKAGE
30 OVER	±0.3	APPROVED BY	MSASAO	DATE	04/05/18	-LEAD FREE-
ANGULAR	±3 °	MATERIAL NO.		DATE	04/05/18	
DRAFT WHERE APPLICABLE MUST REMAIN WITHIN DIMENSIONS		SEE CHART		DOCUMENT NO.	SD-54794-033	
REVISED		REVISED		MOLEX INCORPORATED		SHEET NO. 2 OF 2
EC NO: J2005-0694		DRWNK:SETO		THIS DRAWING CONTAINS INFORMATION THAT IS PROPRIETARY TO MOLEX AND SHOULD NOT BE USED WITHOUT WRITTEN PERMISSION		
APP:JM1 YAZAWA		CHKD:JM1 YAZAWA		A3 INCORPORATED		
2004/09/17		2004/09/17		EN-02JA(021)		
2004/09/29						