

High accuracy mass flow sensing

- Small size
- Fast response
- Applicable to air, non-corrosive gas, LNG



Ordering Information

Model	Case	Gsa	Flow Range	Notes
D6F-01A1-110	PPS	Air*	0-1L/min	Integral orifice
D6F-02A1-110			0-2L/min	
D6F-05N2-000	Aluminum	LNG* (13A)	0-5L/min	

Application Examples

- Medical equipment
- Analysis apparatus
- Combustion control

Ratings

Absolute Maximum Rating

Item	Symbol	Rating	Unit
Power Supply	V_{CC}	26.4	VDC
Output Voltage	V_{OUT}	6	VDC

Recommendation Condition

Item	Symbol	Condition	Min.	Typ.	Max.	Unit
Power Supply	V_{CC}	—	10.8	—	26.4	VDC
Operating Temperature	T_{ORR}	—	-10	—	60	°C
Output Voltage (Max.)	V_{OH}	$V_{CC} = 12 \text{ to } 24\text{VDC}$ $I_{OH} = 5\text{mA}$	5	—	5.7	VDC
Output Voltage (Min.)	V_{OL}	$V_{CC} = 12 \text{ to } 24\text{VDC}$ $I_{OH} = -5\text{mA}$	0	—	1	VDC

Characteristics

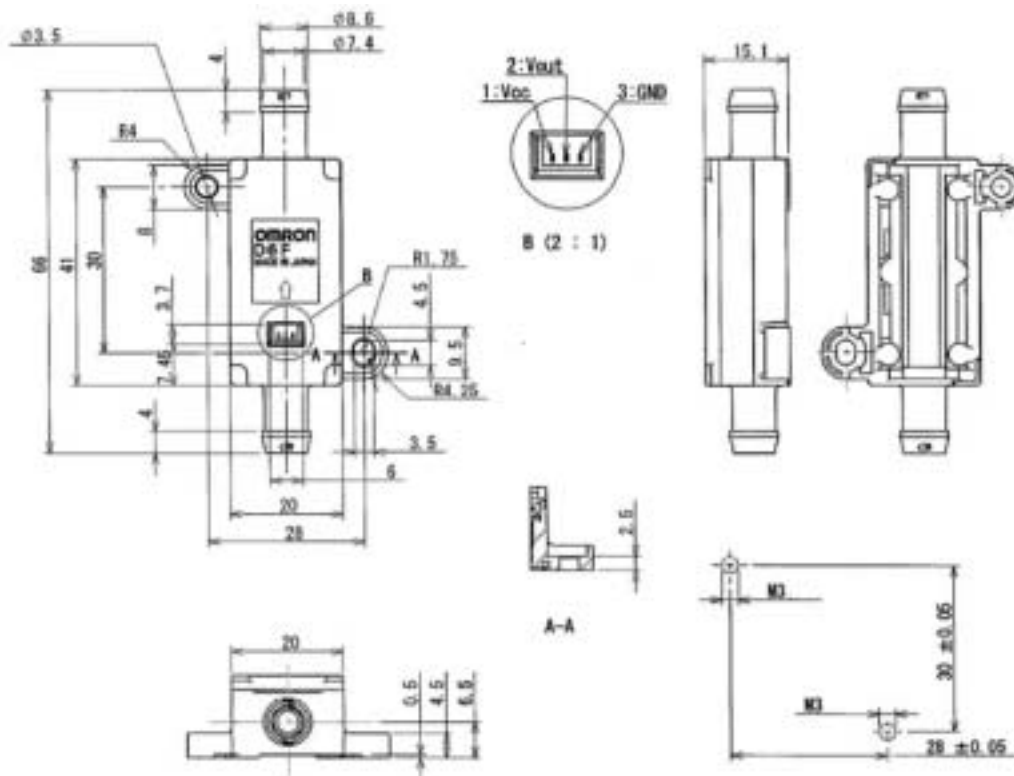
Model	D6F-01A1-110	D6F-02A1-110	D6F-05N2-000
Rated quality range	0-1L/min		0-5L/min
Joint type	Bamboo type (Bamboo min. external diameter: 7.4mm, Bamboo max. external diameter: 8.6mm) (passage diameter: 4mm)		Rc 1/4 Screw
Case material	PPS		Aluminum
Applicable fluid	Air*		LNG*
Withstand pressure	200kPa		
Repeat accuracy	±3% F.S. max		
Operating temperature	-10 to 60 degrees (with no icing or condensation)		
Operating humidity	Under 85% RH (with no icing or condensation)		
Storage temperature	-40 to 80 degrees (with no icing or condensation)		
Storage humidity	Under 85% RH (with no ice or no dew)		
Output signal	Analog Output 1-5 VDC		
Current consumption	No-load $V_{CC} = 12$ to 24VDC, $V_{SS} = 0V$ 25 deg. C, Max. 15mA		
Insulation resistance	More than 20M Ohm (500VDC, between lead terminal and case)		
Dielectric strength	500VAC, 50/60Hz, for 1 minute. (Leakage current typ < 1mA.) Between the lead terminals and the base		
Orifice	Integral	Integral	Not applicable

* Dry gas, must not contain large particles, eg dust, oil mist.

Dimensions

(All dimensions in mm)

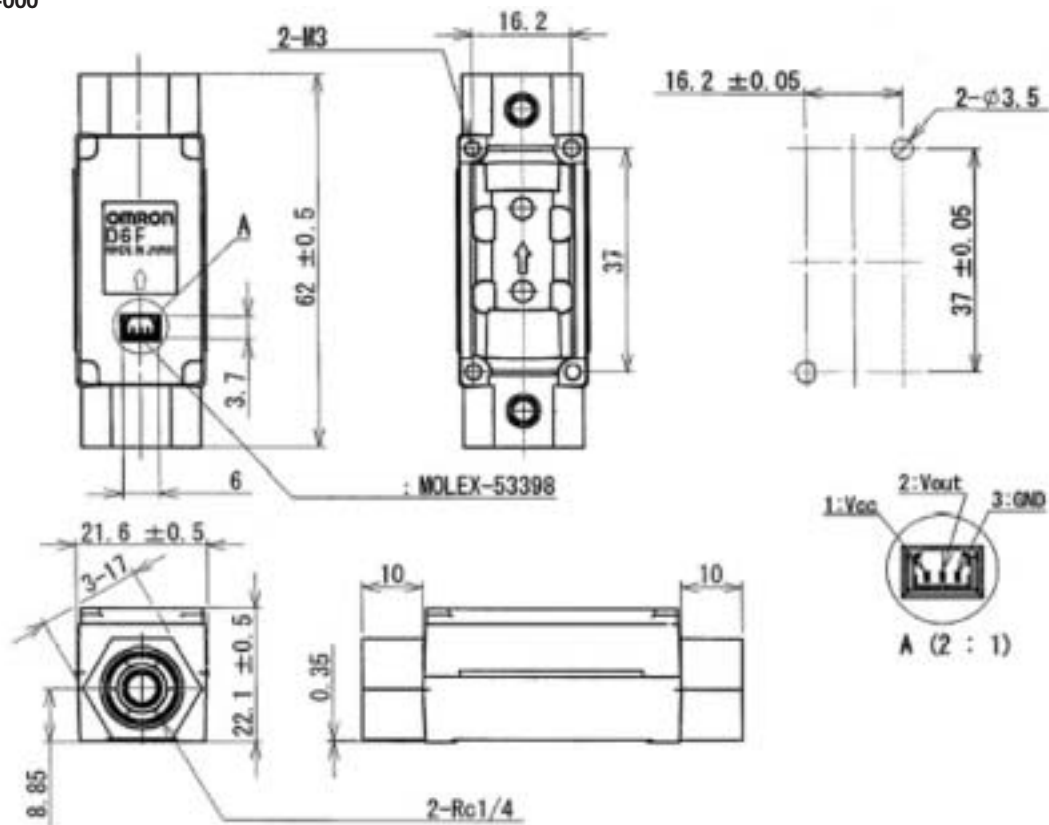
D6F-01A-110
D6F-02A-110



Dimensions

(All dimensions in mm)

D6F-05N2-000



Cat. No. D6F-01-EU In the interest of product improvement, specifications are subject to change without notice.

OMRON

Omron Electronic Components Europe BV

Wegalaan 57
2132 JD Hoofddorp
The Netherlands
Tel: +31 23 568 1200
Fax: +31 23 568 1212