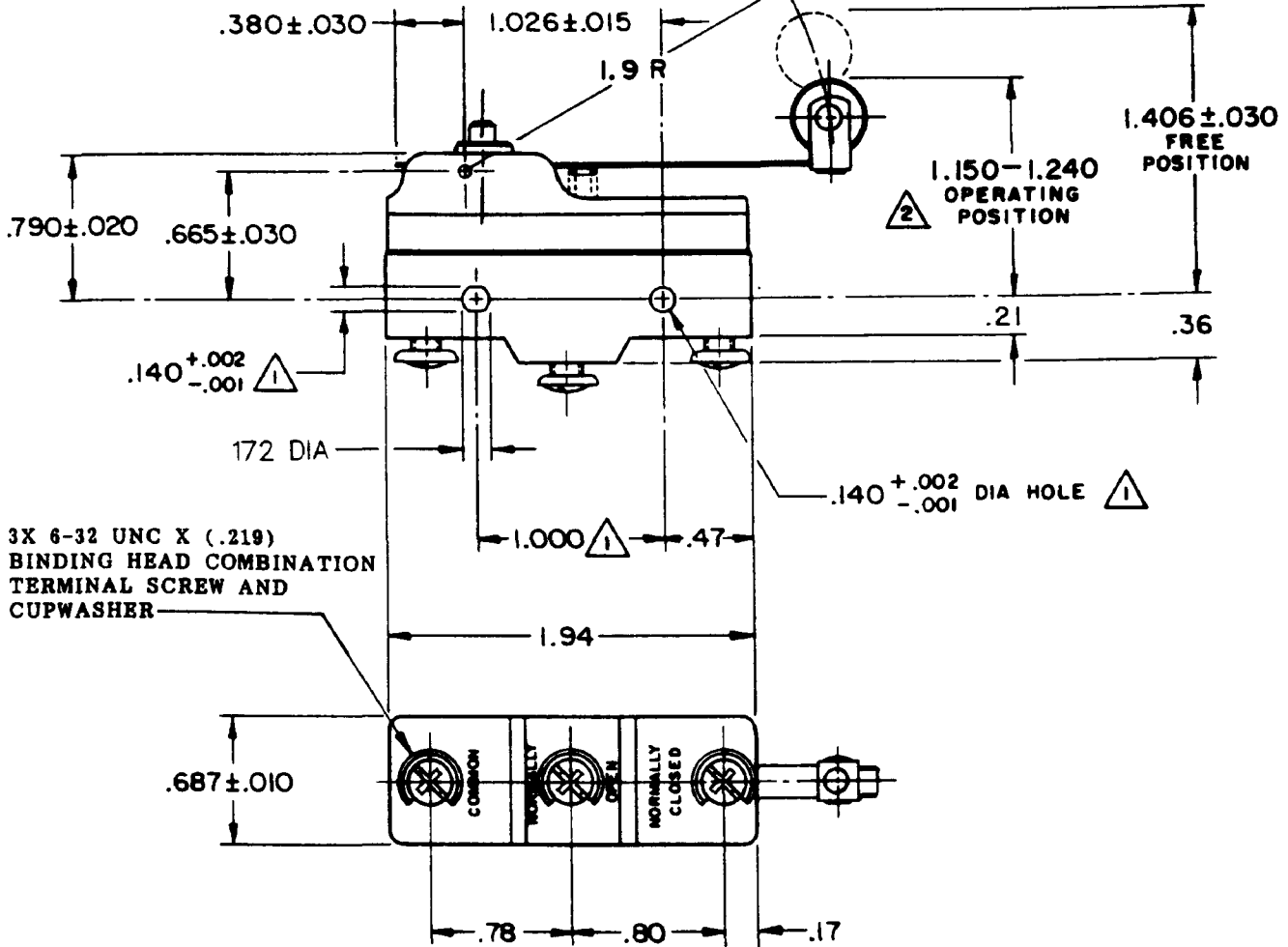
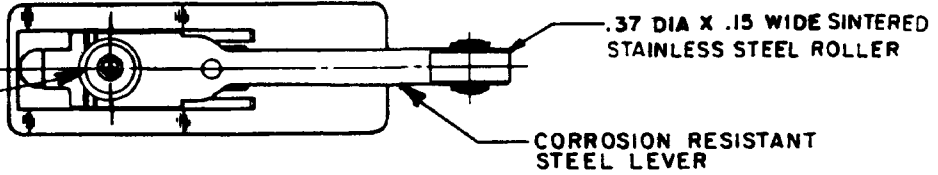


MOLDED NUT WITH SELF
 LOCKING 6-32 UNC THREAD
 X .250 LONG ADJUSTING
 SCREW WITH .062 HEX
 SOCKET



NOTES

- ⚠ MOUNTING HOLES WILL ACCEPT PINS OR SCREWS OF .139 MAX DIA ON 1.000 ± .002 CENTERS
- ⚡ ADJUSTING SCREW PERMITS ADJUSTMENT OF OPERATING POSITION THROUGH RANGE INDICATED
- ⚡ DO NOT OVERTRAVEL MORE THAN .270 FROM ANY OPERATING POSITION TO PROVIDE OPTIMUM MECHANICAL LIFE

THIS DRAWING COVERS A PROPRIETARY ITEM AND IS THE PROPERTY OF MICRO SWITCH, A DIVISION OF MINNEAPOLIS-HONEYWELL REGULATOR CO. THIS DRAWING IS NOT TO BE COPIED OR USED WITHOUT THE APPROVAL OF MICRO SWITCH.

CHARACTERISTICS	ELECTRICAL DATA	SCALE FULL
OPERATING FORCE ----- 3 1/2 OZ MAX	CONTACT ARRANGEMENT S P D T	DO NOT SCALE PRINT
RELEASE FORCE ----- 3/4 OZ MIN	L96	UNLESS OTHERWISE SPECIFIED DIMENSIONS ARE IN INCHES
DIFFERENTIAL TRAVEL ----- .004 -.040	15A 125, 250 OR 480 VAC 1/2A 125 VDC, 1/4A 250 VDC 1/8HP 125 VAC, 1/4HP 250 VAC	TOLERANCES ARE:
OVERTRAVEL --- ⚡ --- .085 MIN FROM 1.150 OPERATING POSITION	L288 L299 L306	ONE PLACE (.0) 2.000 TWO PLACE (.00) 2.015 THREE PLACE (.000) 2.000 ANGLES ±
	CE ⓓ Ⓢ 16A 250V ~ T85 5E4	WEIGHT

DRAWING NUMBER: BZ-2RW8299-A2
 PAGE 1 OF 1
 ISSUE: 11
 REVISIONS:
 A CO 18736
 B CH 28 JULY 92
 B CO 202013
 C CO 33772
 D CO 73287-J
 E CO 752048
 F CO 177589
 G CO 82020C
 H CO 93346
 J CO 95815-A
 FORMTEK
 FG-80378
 DRAWN: DAW
 CHECK: DAW
 21 SEPT 62
 29 JULY 62
 18 JAN 00