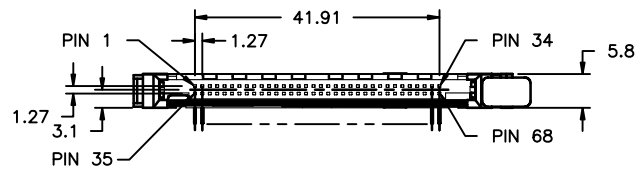
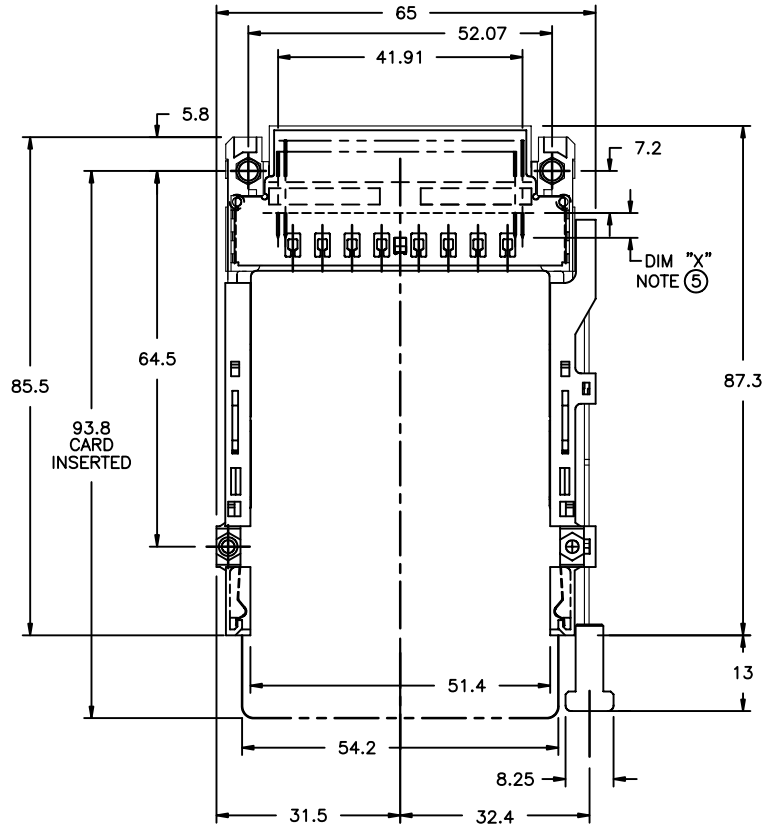
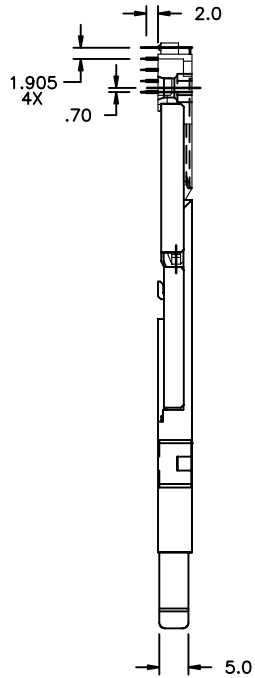


All rights strictly reserved. Reproduction or issue to third parties in any form whatever is not permitted without written authority from the proprietor. Property of FCI. Copyright FCI.

Tous droits strictement reserves. Reproduction ou communication a des tiers interdite sous quelque forme que ce soit sans autorisation ecrite du proprietaire. Propriete de c FCI. Droits de reproduction FCI.

FCI

PRODUCT NO.  
72206-000CA/000CALF  
NOTE ⑤



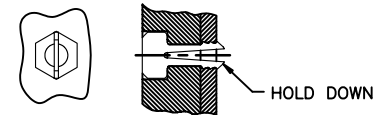
NOTES:

- 1 8mm MIN CARD EJECT.
- 2 PUSH-ROD TRAVEL: 9.5mm
- 3 MATERIAL:
  - 3.1 HEADER ASSY: PLASTIC HOUSING: LCP UL94V-0 BLACK - ABOVE PCB  
PIN: PHOSPHOR BRONZE
  - 3.2 EJECT MECHANISM ASSY: PLASTIC GUIDE: POLYPHTHARAMID UL94V-0 BLACK  
PLASTIC PUSH-ROD BUTTON: POLYPHTHARAMID UL94V-0 BLACK  
COVER PLATE, EJECT PLATE, LINK ARM, PUSH ROD: STAINLESS STEEL  
EMI CONTACT: PHOSPHOR BRONZE
- 4 FINISH (PIN)  
UNDER PLATING: 0.5um MIN Ni  
CONTACT AREA: 0.1um MIN GOLD OVER  
0.5um MIN Pd-Ni  
SOLDER TAIL: 2.5umMIN Sn-Pb FOR TIN LEAD OPTION  
2.5umMIN PURE TIN FOR LEAD FREE OPTION

⑤ DIM "X"

4.25±0.1	3.5±0.1	5.0±0.1
OTHERS	36,67	1,17,34,35,51,68

- 6 RECOMMENDED HOLD DOWN - 2mm SCREWS (95121-001) AND NUTS (92869-001).  
RECOMMENDED SCREW TORQUE: 1.0 TO 1.5 MAX in-lbs. (1.2-1.7 cm-kgs).
- 7 SEE SHEET 3 FOR PCB LAYOUT INFORMATION.
- ⑧ ADD "H" TO PART NUMBER FOR OPTIONAL HOLD DOWN (2 PER EJECT MECHANISM).



- 9 IF LEAD FREE P.N.THE HOUSING WILL WITHSTAND EXPOSURE TO 260°C PEAK TEMPERATURE FOR 10 SECONDS IN A WAVE SOLDER APPLICATION WITH A 1.00MM MINIMUM THICK CIRCUIT BOARD.
- 10 IF LEAD FREE P/N.THE PRODUCT MEETS EUROPEAN UNION DIRECTIVES AND OTHER COUNTRY REGULATIONS AS DISCRIBED IN GS-22-008
- 11 LEAD FREE P/N PACKAGING MEETS GS-14-920 SPECIFICATION

mat'l. code				tolerances unless otherwise specified		CUSTOMER COPY	Electronics www.fciconnect.com		
ltr	ecn no	dr	date	linear	.X±.3	projection	title		
A	V60726	RHG	4/29/96		.XX±.13			R/A CARDBUS SINGLE DECK ASSEMBLY	
B	V60810	RHG	5/24/96		.XXX±.051			product family MCS	
C	V61089	RHG	7/2/96		0° ±2'			code -	
D	V70389	RHG	3/25/97	dr	R.GRAPE	4/29/96		size	dwg no
E	V12164	TFG	8/16/01	enr	D.BRANN	4/29/96	72206		
F	N05-0054	WB	03/02/05	chr	D.BRANN	4/29/96	scale	1:1	
sheet index		revision sheet	F 1	F 2	F 3				

ACAD

PDM: Rev:F

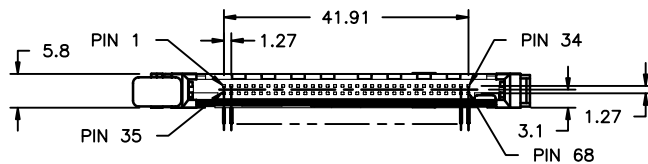
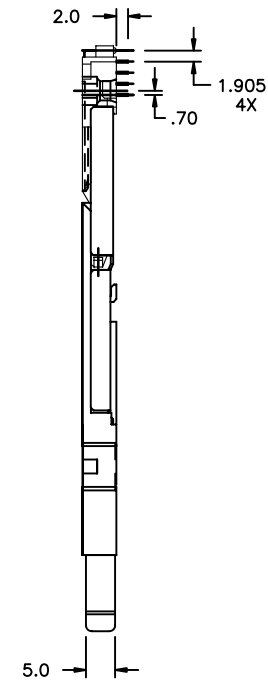
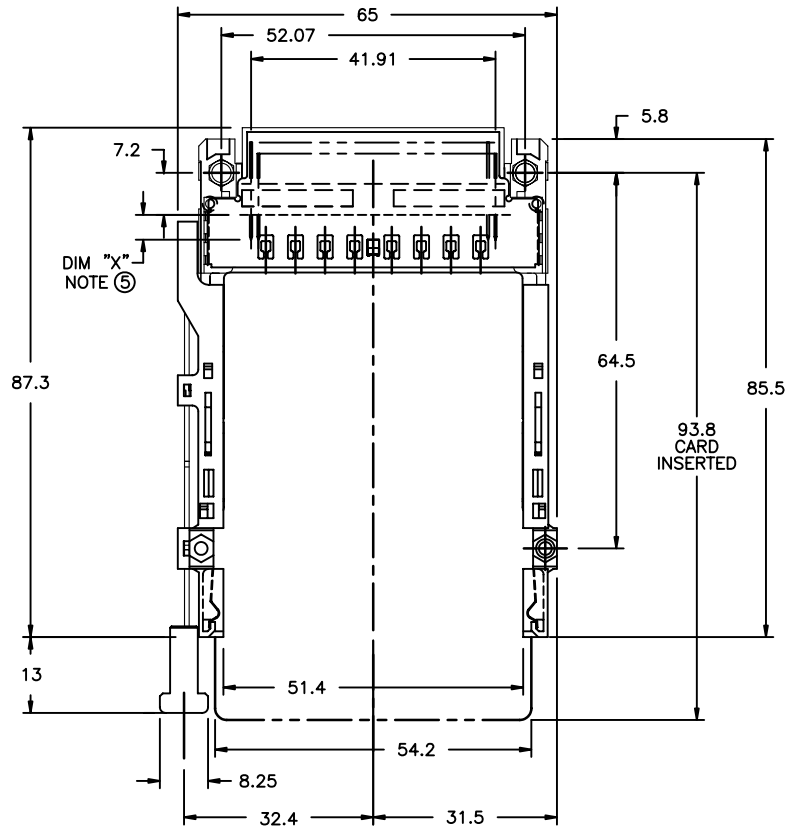
STATUS: Released  
cage code 26  
Printed: Sep 06, 2005

All rights strictly reserved. Reproduction or issue to third parties in any form whatever is not permitted without written authority from the proprietor. Property of FCI. Copyright FCI.



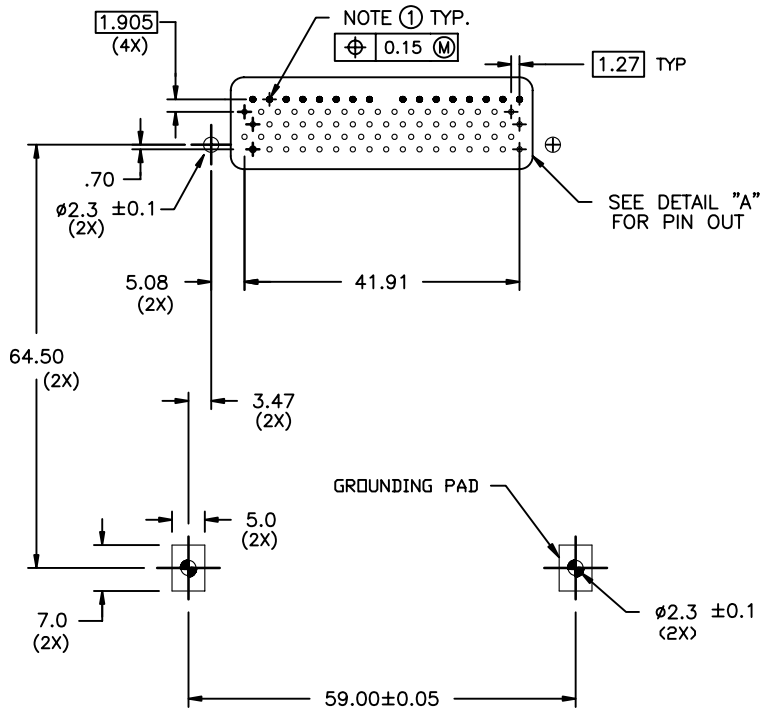
Tous droits strictement reserves. Reproduction ou communication a des tiers interdite sous quelque forme que ce soit sans autorisation ecrite du proprietaire. Propriete de c FCI. Droits de reproduction FCI.

PRODUCT NO.  
72206-100CA/100CALF  
NOTE ⑤

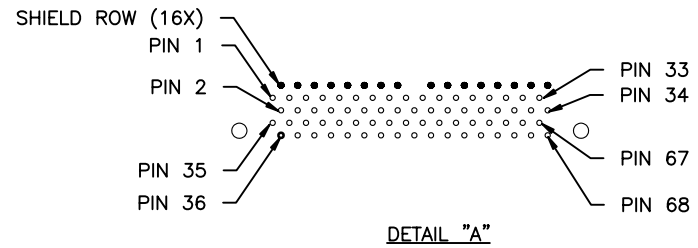


mat'l. code				tolerances unless otherwise specified		CUSTOMER COPY	Electronics www.fciconnect.com			
ltr	ecn no	dr	date	linear	.X±.3			projection	title	
F					.XX±.13		R/A CARDBUS SINGLE DECK ASSEMBLY			
				angles	.XXX±.051					
				dr	R.GRAPE 4/29/96	MM	product family	MCS	code	
				enr	D.BRANN 4/29/96		size	dwg no	-	
				chr	D.BRANN 4/29/96		scale	A4	72206	sheet
				appd	D.BRANN 4/29/96		1:1		2 of	
sheet index	revision sheet									

FCI



P.C.B. LAYOUT



NOTES:

- ① RECOMMENDED DIAMETER IS  $\phi 1.0$ . FOR PROCESSES USING PASTE REFLOW, HOLE MAY BE AS SMALL AS  $\phi 0.79$ .
- 2 ALL TOLERANCES  $\pm 0.15$  UNLESS NOTED.

mat'l. code				tolerances unless otherwise specified		CUSTOMER COPY		 <a href="http://www.fciconnect.com">www.fciconnect.com</a>		
ltr	ecn no	dr	date	linear	.X $\pm$ .3		projection	title		
F					.XX $\pm$ .13				R/A CARDBUS SINGLE DECK ASSEMBLY	
					.XXX $\pm$ .051				product family MCS	
				angles	0' $\pm$ 2'		 MM scale 1:1	size dwg no		
				dr	R.GRAPE	4/29/96		A4		72206
				enr	D.BRANN	4/29/96		sheet		3 of
				chr	D.BRANN	4/29/96		sheet		3 of
				appd	D.BRANN	4/29/96	sheet		3 of	
sheet index	revision sheet									