



3A-PF2



3A-CF2

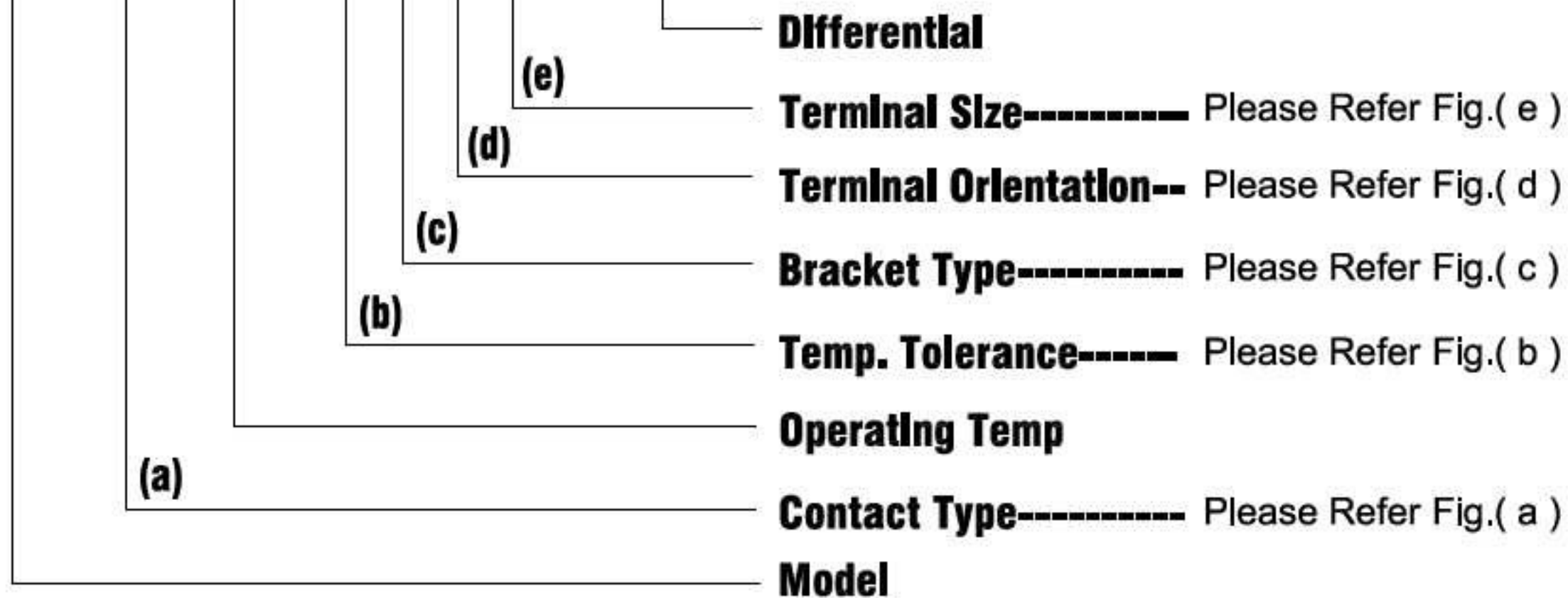
### SPECIFICATION

- Electrical Rating : 15A 125V AC (Resistive Load)  
10A 250V AC (Resistive Load)  
16A 250V AC (Resistive Load)
- Operating Temp : 50 ~ 175°C (UL.CUL 205°C)
- Differential : 10~30K (15K Standard)
- Temp. Tolerance : Operating Temp.±3K±5K
- Heat Durability : 220°C Max. (PPS)
- Circuit Resistance : 50mΩ Max.
- Insulation Resistance : 100MΩ Min.at DC500V
- Dielectric Strength : AC 1000V for One Minute.  
or AC 1800V for One Second.
- Operating Life : 100000 Cycles (15A 125V/10A 250V AC)  
10000 Cycles (16A 250V AC)
- Weight:4.6g max.

### HOW TO ORDER

#### MODEL CODE (FULL CODE)

**T 23 A 1 1 0 B C F 2 - 1 5**

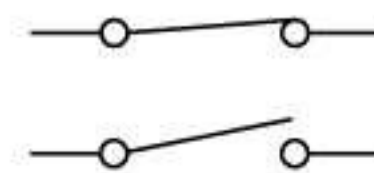


#### (a) CONTACT TYPE :

A = Contact Opens When Temperature Rises to Set Point (Normally Closed)

B = Contact Closes When Temperature Rises to Set Point (Normally Open)

M = Manual Reset



#### (b) TEMP. TOLERANCE : (\*=STANDARD)

Grade	A	*B
Action ±°C	3	5
Reset ±°C	4	8

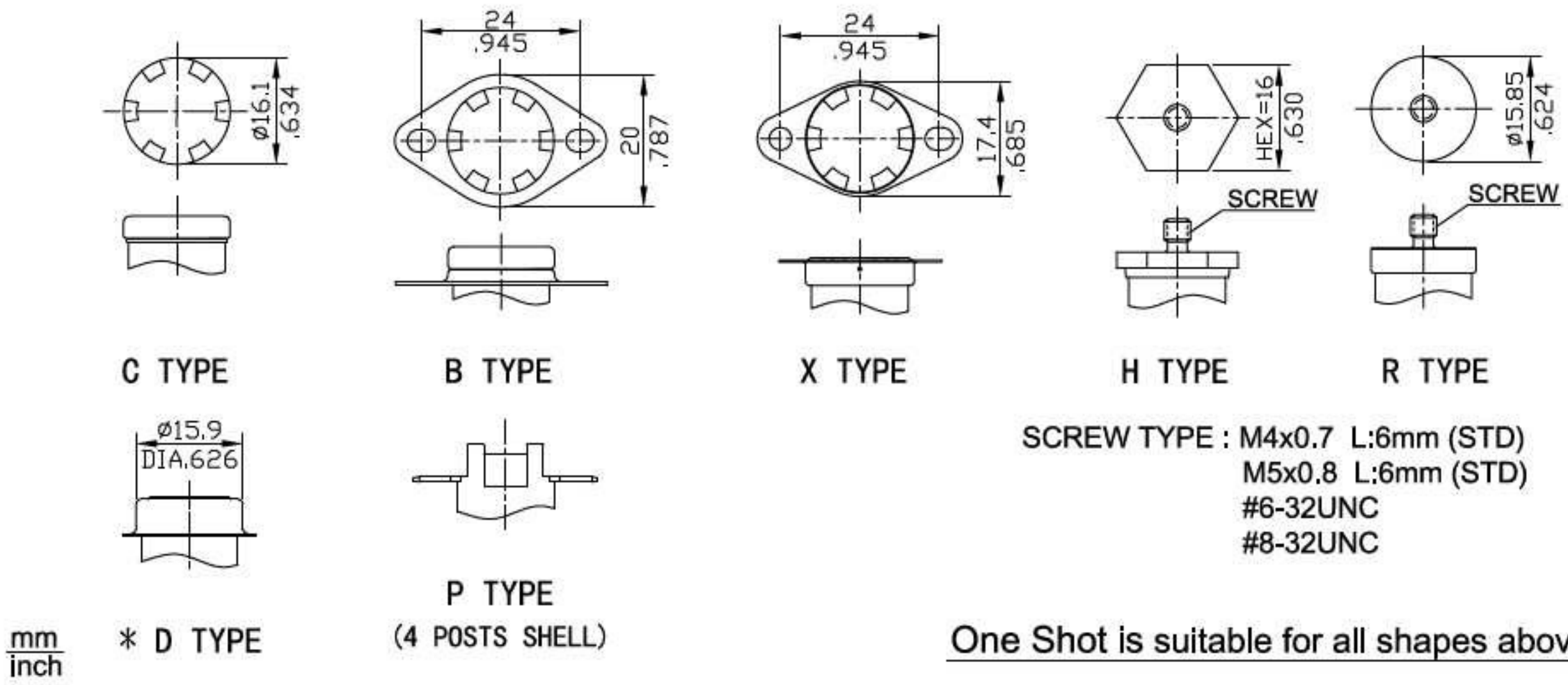
• The Grade of Temp. Tolerance is "A", When The Operating Temp. is Less Than 105°C.

• The Grade of Temp. Tolerance is "B", When The Operating Temp. is Over 106°C.

**(c) BRACKET TYPE :**

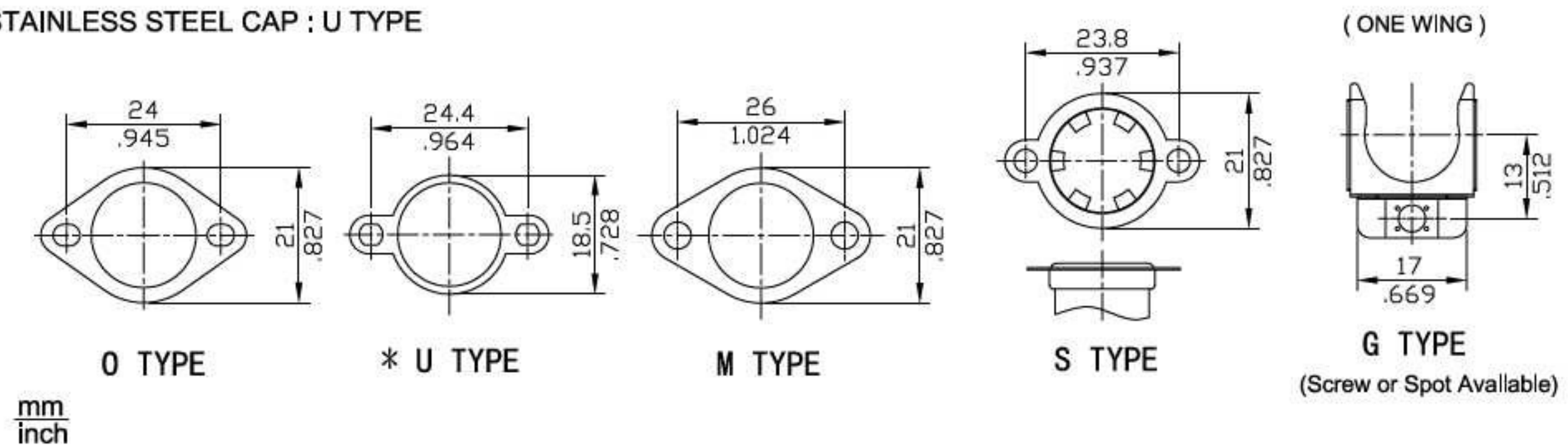
**• FIXED BRACKET**

\* STAINLESS STEEL CAP : D TYPE

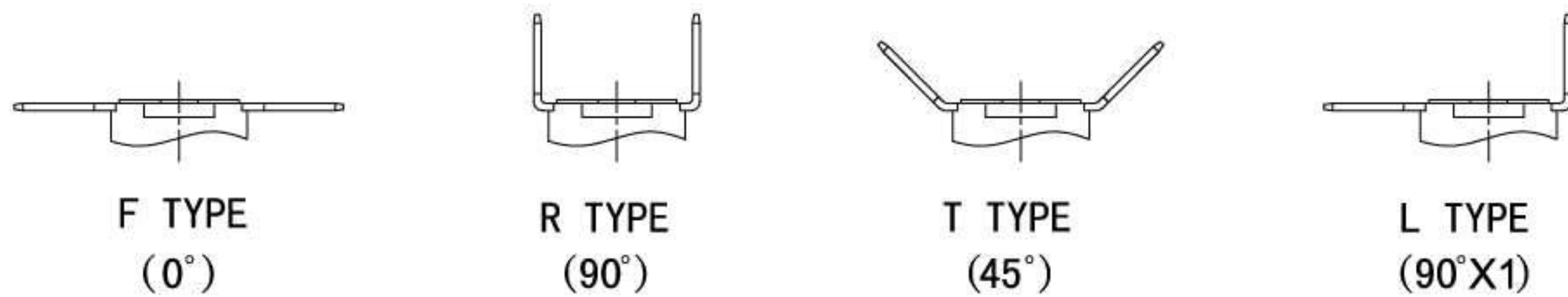


**• LOOSE BRACKET**

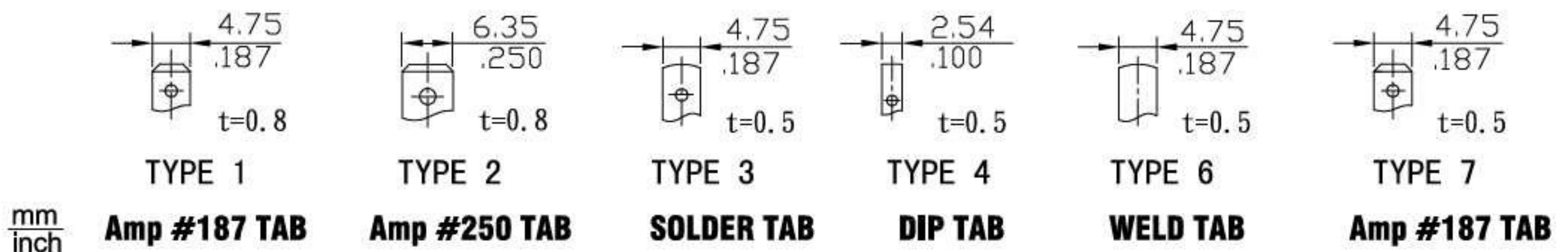
\* STAINLESS STEEL CAP : U TYPE



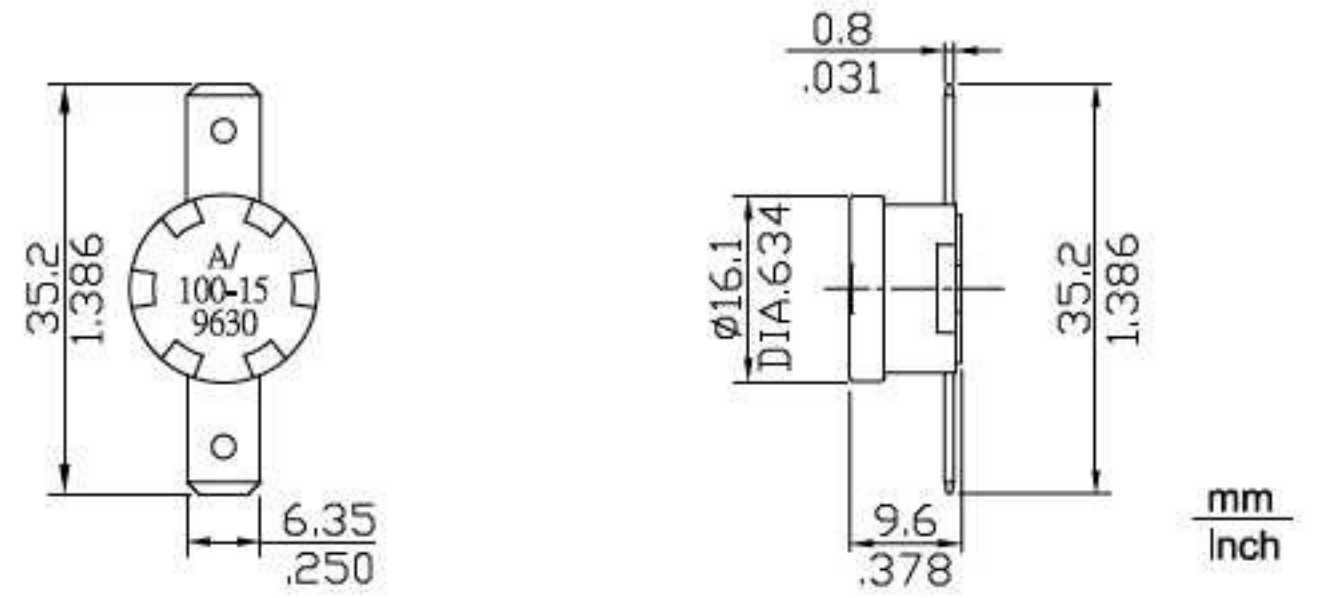
**(d) TERMINAL ORIENTATION:**



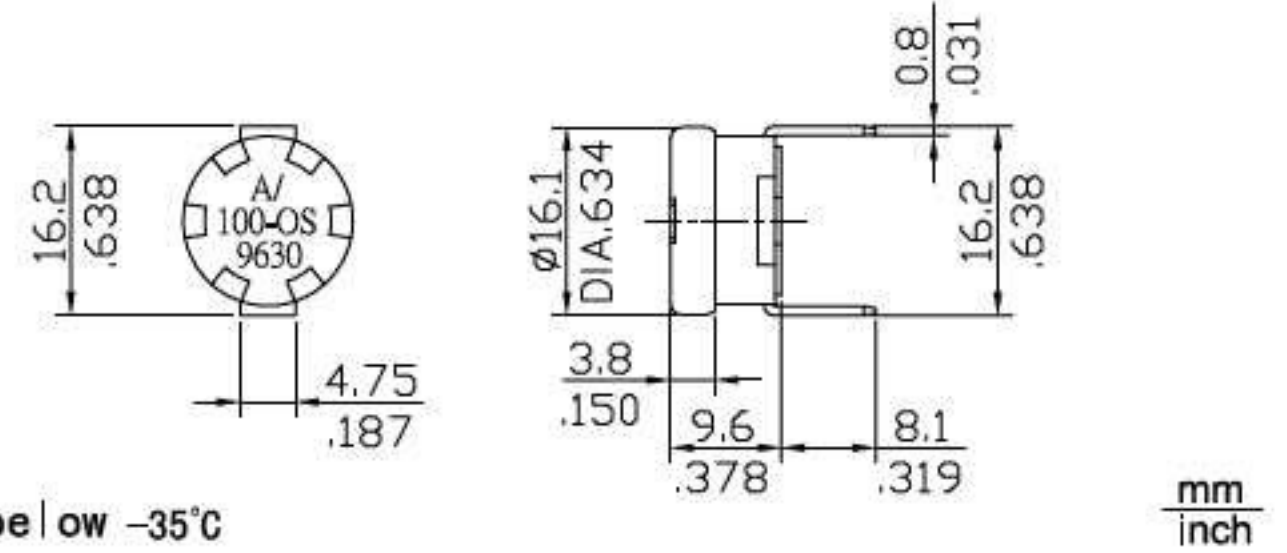
**(e) TERMINAL SIZE:**



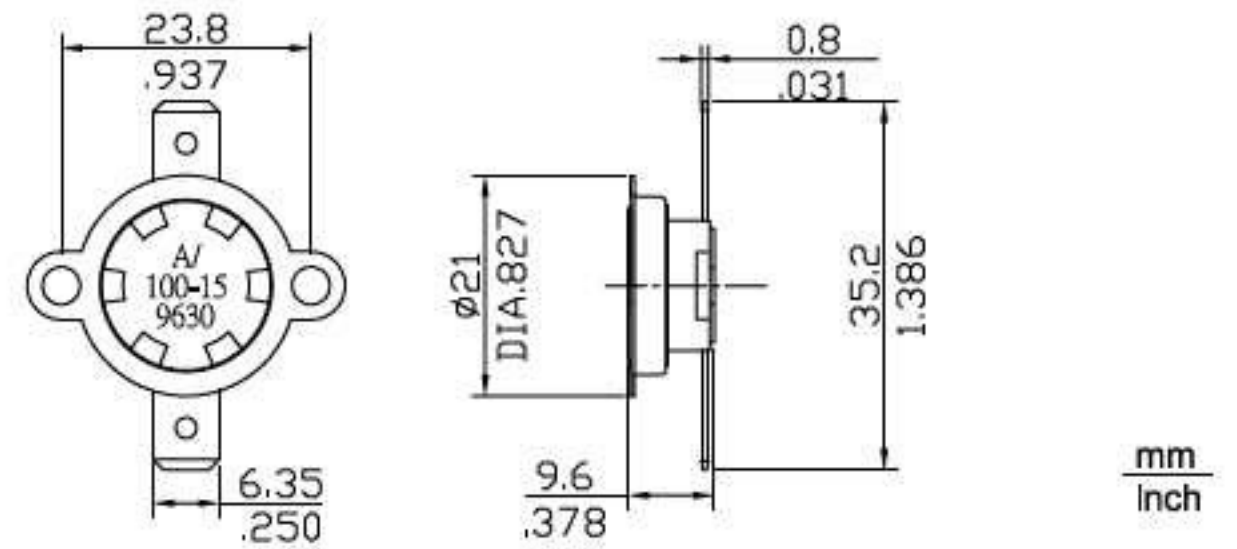
### 3A-CF2



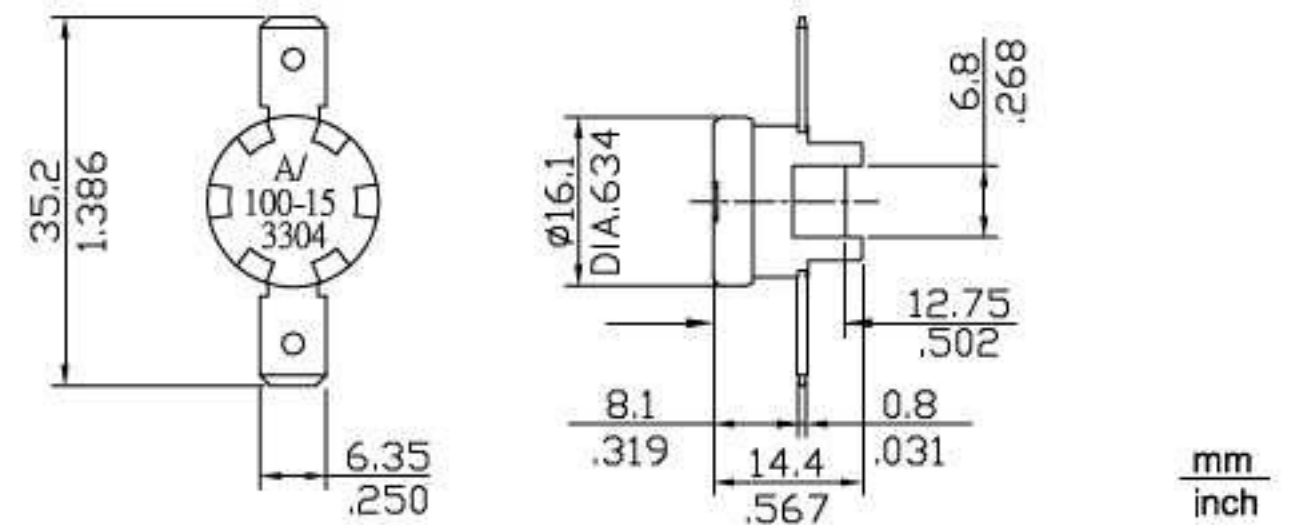
### 3A-CR1-OS(ONE SHOT)



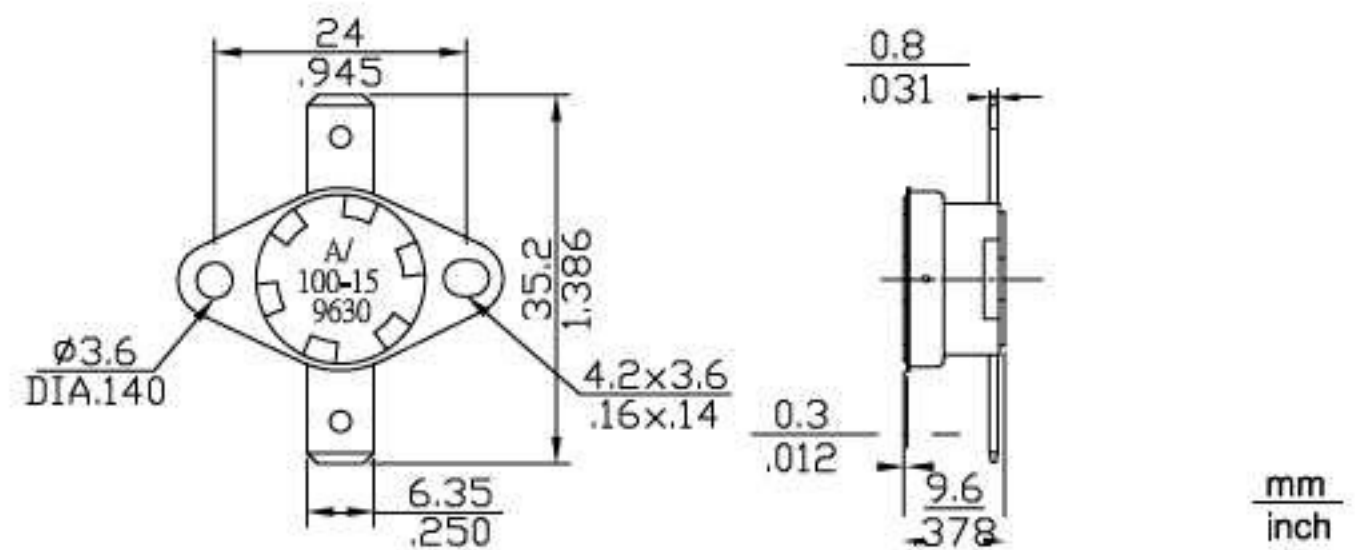
### 3A-SF2(LOOSE BRACKET)



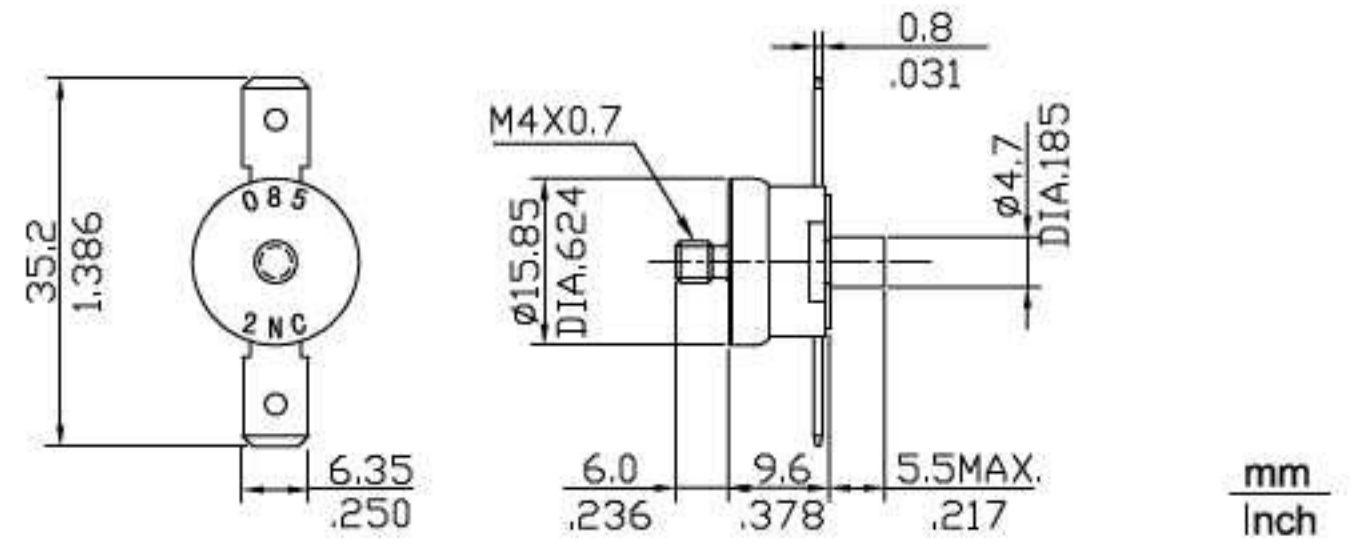
### 3A-PF2(4-POST)



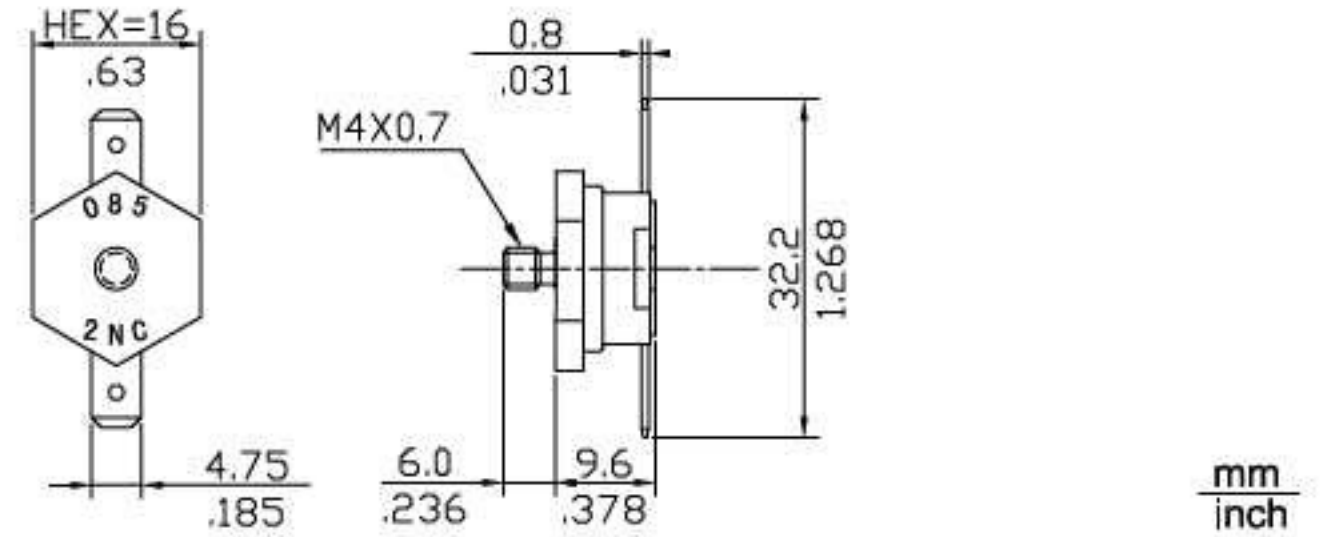
### 3A-XF2(FIX BRACKET)



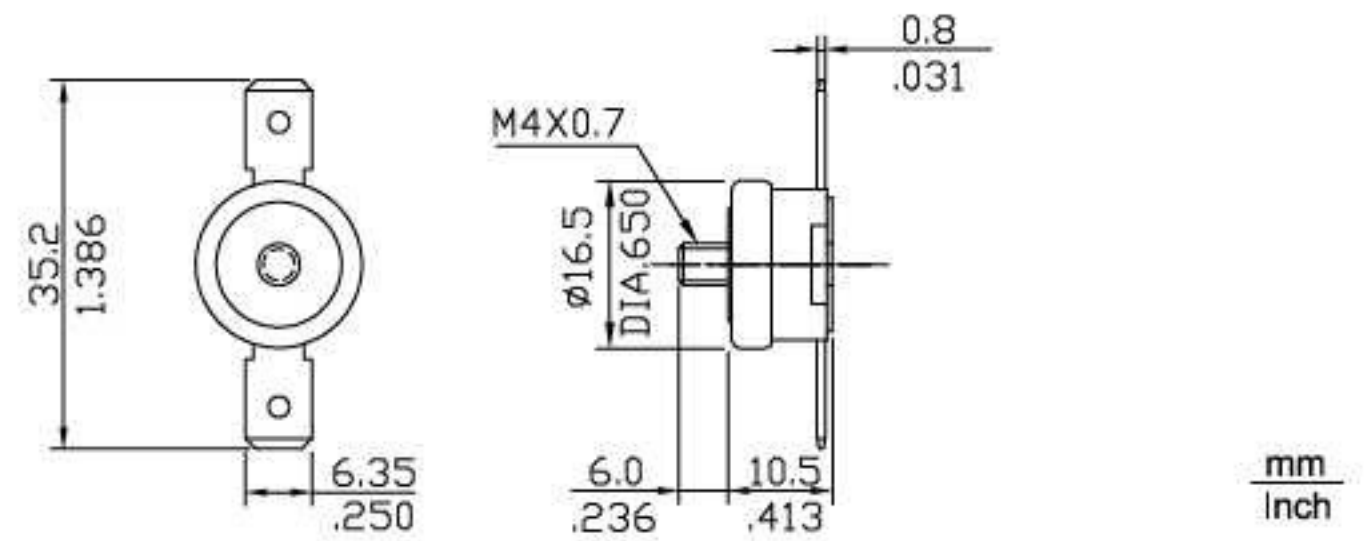
**3M-RF2**



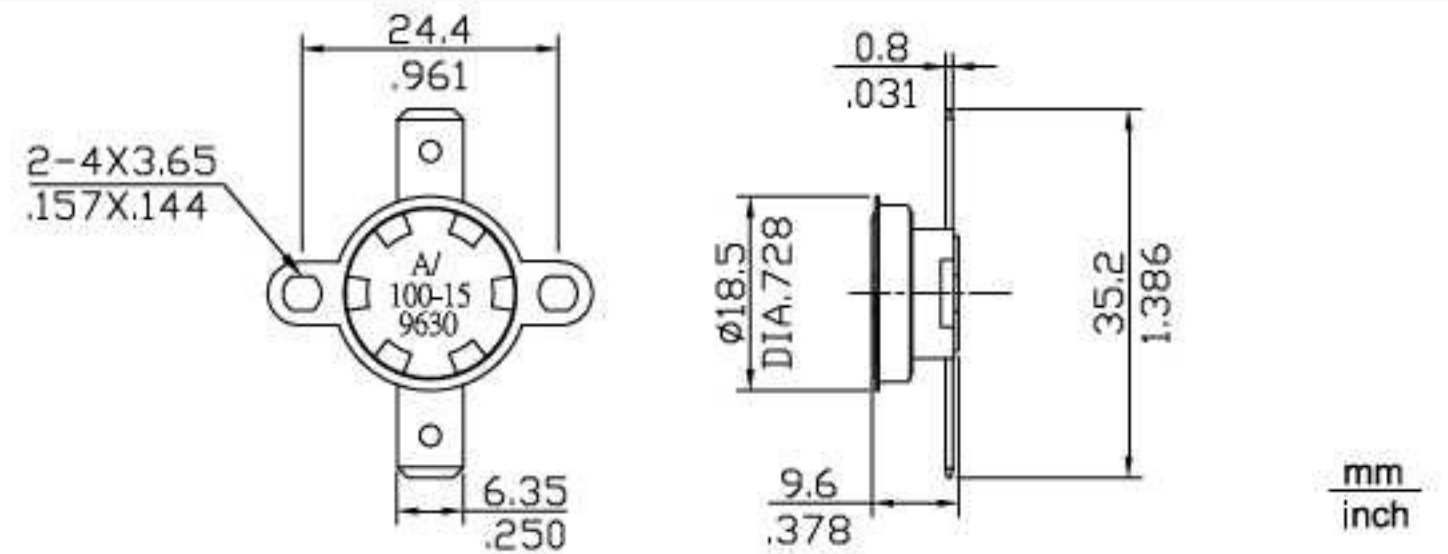
**3A-HF1**



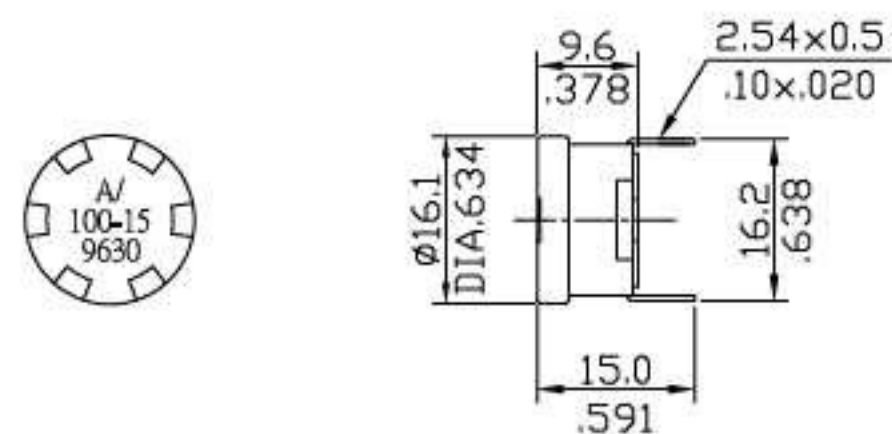
**3A-RF2-A**



**3A-SF2-U**



**3A-CR4**



(FOR PCB)

mm  
inch