

MICRO SWITCH

FREEPORT ILLINOIS, U.S.A
A DIVISION OF HONEYWELL

FED. MFG. CODE 91929

SWITCH-BASIC

CATALOG LISTING

BZ-7RT04

M8805/1-008

ISSUE 8

M BZ-7RT04

DRAWING NUMBER

ISSUE 8

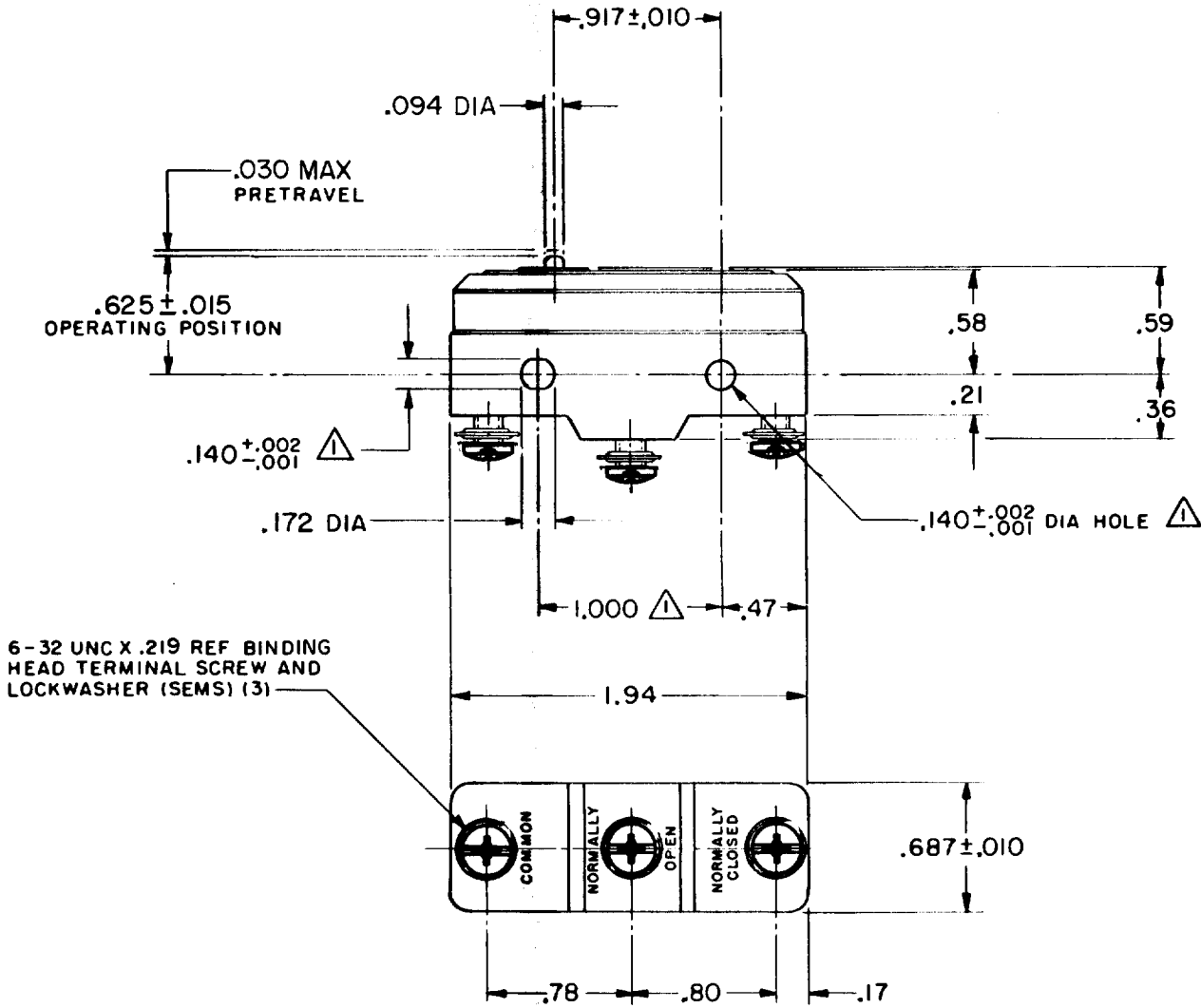
REVISIONS

A	CO22575	RER	5 JAN 68
B	CO22575	8 FS	8 AUG 68
C	CO-69351-D	JWB	18 JUL 91

CHECK CMT 19 JAN 68
CHECK LSD 26 JAN 68

CHECK 5 JAN 68
DRAWN RER

FO-50378-1A



NOTE -
 ▲ - MOUNTING HOLES WILL ACCEPT PINS OR SCREWS OF .139 MAX DIA ON 1.000 ± .002 CENTERS

THIS DRAWING COVERS A PROPRIETARY ITEM AND IS THE PROPERTY OF MICRO SWITCH, A DIVISION OF HONEYWELL. THIS DRAWING IS NOT TO BE COPIED OR USED WITHOUT THE APPROVAL OF MICRO SWITCH.

CHARACTERISTICS	ELECTRICAL DATA	SCALE FULL
OPERATING FORCE - - - - - 22-28 OZ	CONTACT ARRANGEMENT S P D T	DO NOT SCALE PRINT
RELEASE FORCE - - - - - 6 OZ MIN		UNLESS OTHERWISE NOTED
DIFFERENTIAL TRAVEL - - .0025-.0050		DIMENSIONS ARE IN INCHES
OVERTRAVEL - - - - - .005 MIN		TOLERANCES ARE:
		ONE PLACE (.0) ± .030
		TWO PLACE (.00) ± .015
		THREE PLACE (.000) ± .005
		ANGLES ±
		WEIGHT .063 LB