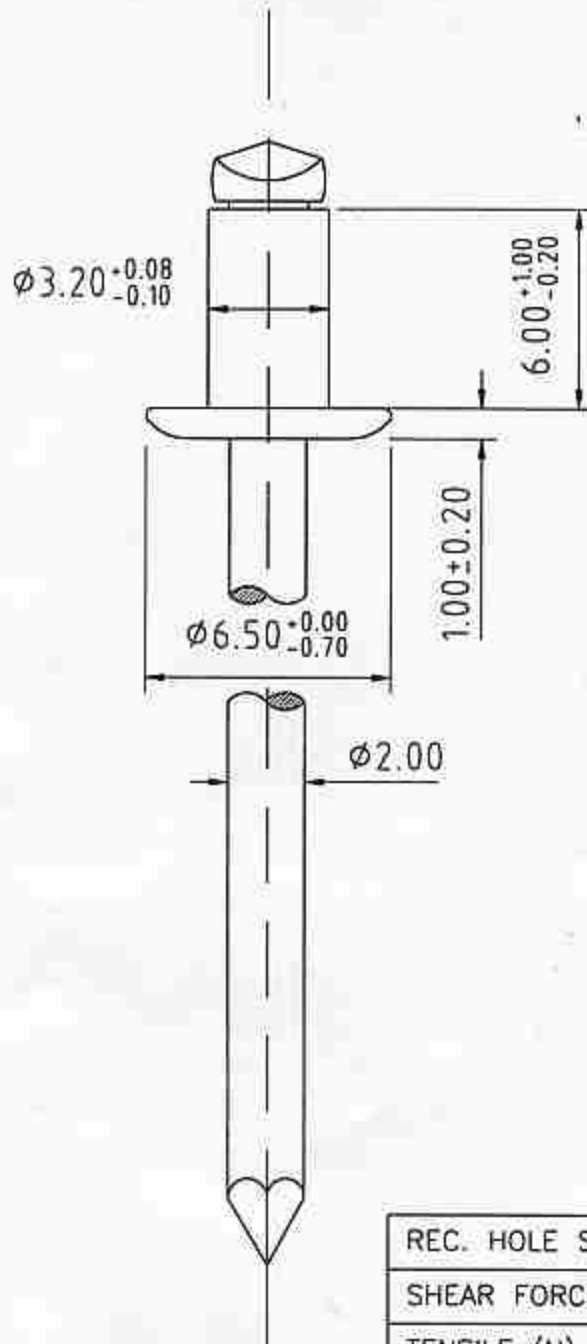


REC. HOLE SIZE (mm):	$\phi 3.30$
SHEAR FOCE (N):	800
TENSILE (N):	950
REC. GRIP RANGE (mm):	1.5-3.5
RIVET BODY:	ALU
MANDREL:	STEEL, ZINC PLATED

Project: RIVETS				Title: $\phi 3.2 \times 6$ ALU/STEEL RIVET	
Machine:				Material: ALU/STEEL	
1998	Date	Name	Scale: 5:1	Heat Treat.:	
DRN.	09.01	<i>[Signature]</i>			
CHK.	12/1/98	<i>[Signature]</i>			
5			This drawing is the property of GESIPA BLIND RIVETING SYSTEMS and should not be copied or reproduced without written consent.		
4					
3					
2					
1					
Mod.	D.O.T.I. Ref.	Date	Name	Drawing No. 6300316	

GESIPA®
Blind Riveting
Systems Ltd.
Tel (0535) 607344 Fax (0535) 662580



REC. HOLE SIZE (mm):	$\phi 3.30$
SHEAR FORCE (N):	1300
TENSILE (N):	1650
REC. GRIP RANGE (mm):	0.5-3.0
RIVET BODY:	STEEL, ZINC PLATED
MANDREL:	STEEL, ZINC PLATED
	YELLOW CHROMATE

Project: RIVETS

Machine:

1998 Date Name

Scale:

DRN. 14.09 *AK*

N.T.S

CHK.

5

4

3

2

1

Mod. D.O.T.I. Ref.

Date Name

Title: $\phi 3.2 \times 6$ SNY 1 STEEL/STEEL RIVET

Material: STEEL/STEEL

Heat Treat.:

This drawing is the property of GESIPA BLIND RIVETING SYSTEMS and should not be copied or reproduced without written consent.

Drawing No. 6318843

GESIPA®
Blind Riveting
Systems Ltd.

Tel. (0535) 607844 Fax (0535) 662580