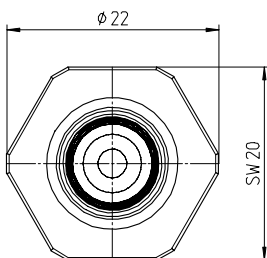
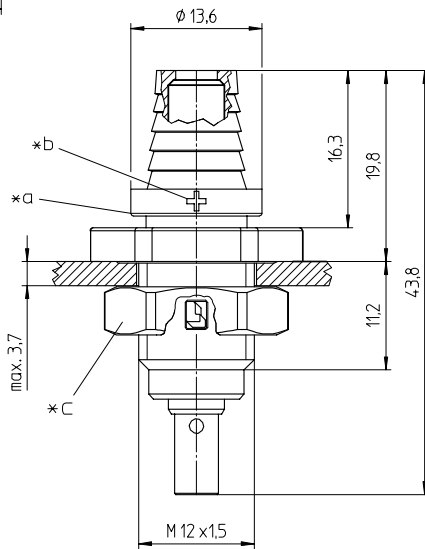
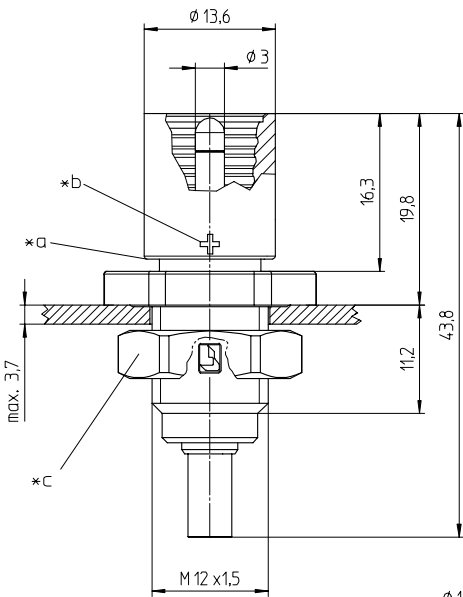




LC3-CP 10



LC3-CP 11



LC3-CP 10	(4710)
LC3-CP 11	(4711)

Photovoltaic chassis receptacle, with crimp contact, for front mounting

LC3-CP 10: plug

LC3-CP 11: socket

<b>1. Temperature range</b>	-40 °C/+85 °C (+110 °C upper limit temperature)
<b>2. Materials</b>	<p>Body/housing: TPU, V0 according to UL 94 halogen-free, UV-resistant</p> <p>Contact pin/bush: CuZn, pre-nickel and tinned</p> <p>Contact protection (plugs only): PA 6.6, V0 according to UL 94</p> <p>Sleeve (sockets only): CuZn, nickeled</p> <p>Hexagonal nut: PA 6.6 GF</p>
<b>3. Mechanical data</b>	<p>Insertion force<sup>1</sup>: ≤ 60 N</p> <p>Withdrawal force<sup>1</sup>: ≥ 65 N</p> <p>Mating with: photovoltaic connectors LC3</p> <p>Protection degree<sup>2</sup>: IP 68</p> <p><b>Connectable conductors crimp terminal</b></p> <p>Section LC3-CP 10-... 2.5: 2.5 mm<sup>2</sup> (AWG 14)</p> <p>Section LC3-CP 10-... 4.0: 4.0 mm<sup>2</sup> (AWG 12)</p> <p>Section LC3-CP 10-... 6.0: 6.0 mm<sup>2</sup> (AWG 10)</p>
<b>4. Electrical data (at T<sub>amb</sub> 20 °C)</b>	<p>Contact resistance: ≤ 5.0 mΩ</p> <p>Rated current LC3-CP ... 2.5: 22 A at T<sub>amb</sub> 85 °C</p> <p>Rated current LC3-CP ... 4.0: 35 A at T<sub>amb</sub> 85 °C</p> <p>Rated current LC3-CP ... 6.0: 40 A at T<sub>amb</sub> 85 °C</p> <p>Rated voltage<sup>3</sup>: 1000 V DC</p> <p>Overvoltage category<sup>3</sup>: III (8 kV)</p> <p>Material group<sup>3</sup>: I (CTI ≥ 600)</p> <p>Creepage distance: ≥ 12.5 mm</p> <p>Clearance: ≥ 12.5 mm</p> <p>Insulation resistance: &gt; 10 GΩ</p>

<sup>1</sup> measured with a proper counterpart

<sup>2</sup> 1 m/24 h, only in mated condition with a proper counterpart

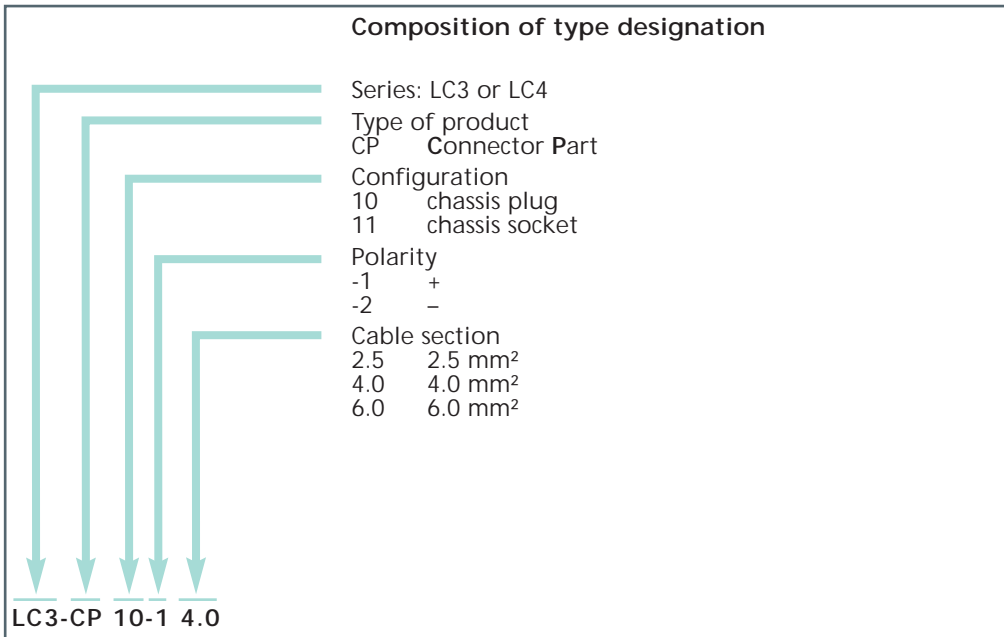
<sup>3</sup> IP X8 requirements under agreement between manufacturer and user according to DIN EN 60664/IEC 60664



\*a recess for optional unmating preventer LC3-CX 90 according to NEC 2008 NFPA 70

\*b marking + on LC3-CP ...-1, - bei LC3-CP ...-2

\*c nut enclosed separately



**Features and benefits**

- chassis receptacles for system components such as inverters, generator isolation housings or accumulation boxes
- quick and easy assembly
- manual tool and crimping machine allow for cost-effective assembly of small and high volumes
- rugged and durable for permanently reliable system operation
- optional locking according to NEC 2008 NFPA 70
- with contact-voltage protection
- highest protection degree IP 68
- UV and ozone-resistant
- halogen-free
- protective caps available for transport or spare receptacles

LC3®

**Typical examples**

Designation	Description	Polarity	Section (mm <sup>2</sup> )
LC3-CP 10-1 4.0	chassis plug	+	4.0
LC3-CP 10-1 6.0	chassis plug	+	6.0
LC3-CP 11-2 4.0	chassis socket	-	4.0
LC3-CP 11-2 6.0	chassis socket	-	6.0

Package unit: 100 pieces in a cardboard box