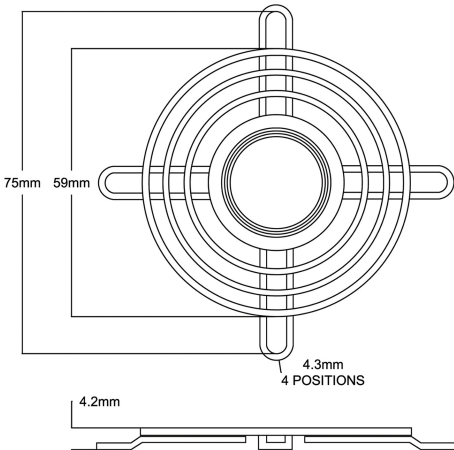


REVISIONS			DOC. NO. SPC-F005 * Effective: 12/21/98 * DCP No: 690					
DCP #	REV	DESCRIPTION	DRAWN	DATE	CHECKD	DATE	APPRVD	DATE
2033	A	RELEASED	JN	03/31/09	JWM	03/31/09	JWM	03/31/09



NOTES

1. Material: C1008 Steel
2. Plating: Bright Nickel Chrome
3. Ring Diameter: 1.2mm
4. Rib Diameter: 1.5mm

<small>DISCLAIMER: ALL STATEMENTS AND TECHNICAL INFORMATION CONTAINED HEREIN ARE BASED UPON INFORMATION AND/OR TESTS WE BELIEVE TO BE ACCURATE AND RELIABLE. SINCE CONDITIONS OF USE ARE BEYOND OUR CONTROL, THE USER SHALL DETERMINE THE SUITABILITY OF THE PRODUCT FOR THE INTENDED USE AND ASSUME ALL RISK AND LIABILITY WHATSOEVER IN CONNECTION THEREWITH.</small>			
Tolerance: UNLESS OTHERWISE SPECIFIED, DIMENSIONS ARE FOR REFERENCE PURPOSES ONLY.	DRAWN BY: Jason Nash	DATE: 03/31/09	DRAWING TITLE: Finger Guard
	CHECKED BY: Jeff McVicker	DATE: 03/31/09	
	APPROVED BY: Jeff McVicker	DATE: 03/31/09	SCALE: NTS
	SIZE DWG. NO. MCSC100-W25		ELECTRONIC FILE 32R8491.dwg
U.O.M.: Millimeters		SHEET: 1 OF 1	