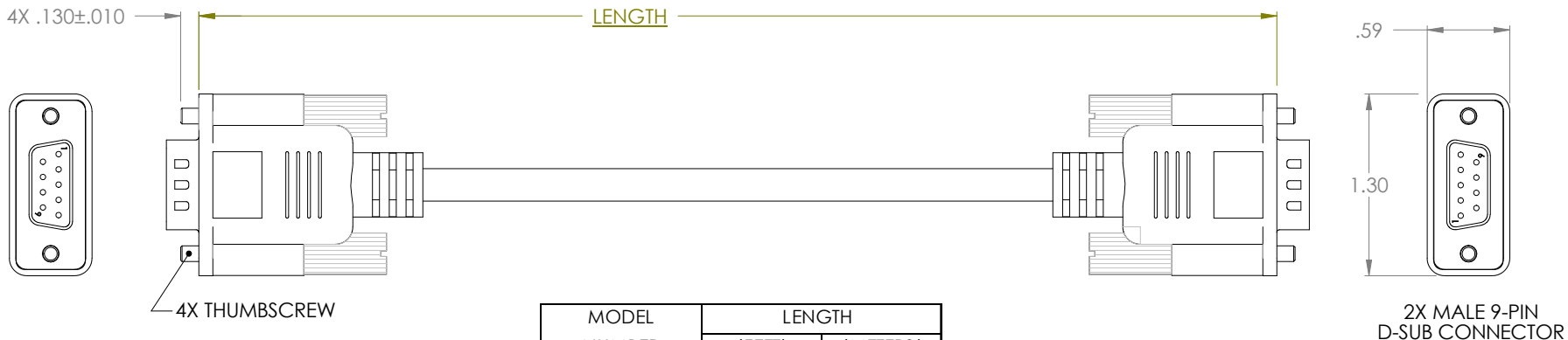
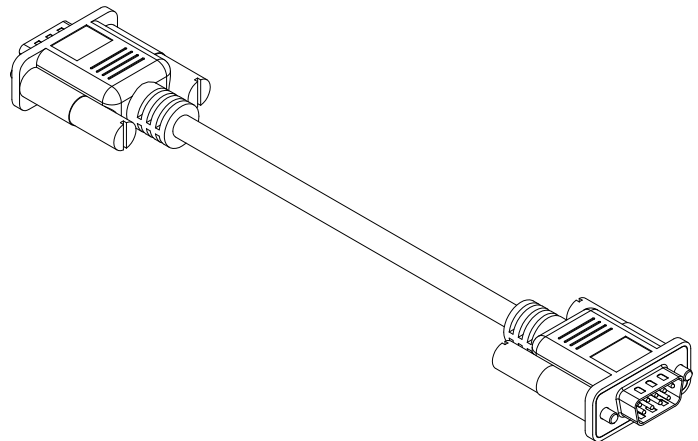


THE INFORMATION CONTAINED IN THIS DRAWING IS THE SOLE PROPERTY OF L-COM, INC. ANY REPRODUCTION IN PART OR WHOLE WITHOUT THE WRITTEN PERMISSION OF L-COM, INC. IS PROHIBITED.

REVISIONS			
REV	DESCRIPTION	DATE	APPROVED
B	REVISED DRAWING FORMAT, ADDED DIMENSIONS (ECN# 1261)	2/21/03	T CLARK
C	CHANGED COLOR OF CONNECTOR INSULATORS TO BLACK (ECN# 1334)	3/21/03	T CLARK
D	ECN1966: 500 VAC WAS 1500VAC	2/2/05	DFF
E	ECN 2194: CHANGED INSTRUCTION SHEET AND CABLE SPECIFICATION	9/7/05	J. KIEZULAS



MODEL NUMBER	LENGTH	
	(FEET)	(METERS)
CS2N9MM-2.5	2.5	0.76
CS2N9MM-5	5.0	1.52
CS2N9MM-6	6.0	1.83
CS2N9MM-10	10.0	3.05
CS2N9MM-12	12.0	3.66
CS2N9MM-15	15.0	4.57
CS2N9MM-25	25.0	7.62
CS2N9MM-50	50.0	15.24



SPECIFICATIONS:

WIRING: STRAIGHT THROUGH, PIN TO PIN, ALL PINS.

SHIELD: DRAIN WIRE TIED TO CONNECTOR SHELLS

ELECTRICAL:

VOLTAGE RATING: 30V
DIELECTRIC STRENGTH: 500VAC

MATERIALS:

CONNECTORS:
INSULATORS: THERMOPLASTIC, UL 94V-0, BLACK
CONTACTS: COPPER ALLOY, GOLD OVER NICKEL
SHELLS: STEEL, TIN PLATED
HOOD MOLDINGS: PVC, LIGHT GRAY
INTERNAL SHIELD: (360°) STEEL BOX SHIELD OVER PRE-MOLD SOLDERED TO D-SUB SHELL
CABLE: U.L. STYLE 2919 9 CONDUCTORS 26 AWG STRANDED TINNED COPPER
OVERALL SHIELD: ALUMINIZED POLYESTER WITH DRAIN WIRE (100%) PLUS TINNED COPPER BRAID SHIELD
JACKET: PVC, LIGHT GRAY
HARDWARE: 4-40 THREAD, STEEL OR BRASS, NICKEL PLATED

[\(REFERENCE L-COM CABLE SPECIFICATION CS2N-LCS\)](#)



UNLESS OTHERWISE SPECIFIED, DIMENSIONS ARE IN INCHES. TOLERANCES ARE:
X ±.1
XX ±.05
XXX ±.005
CABLE LENGTH TOLERANCE
≤300" ±5% >300" ±2%

APPROVALS	DATE
DRAWN BY TJC	11/27/01
CHECKED BY DFF	9/28/01
APPROVED BY RC	10/4/01

CONFIGURATION DETAILS OF UNDIMENSIONED FEATURES MAY VARY

L-com
CONNECTIVITY PRODUCTS

45 BEECHWOOD DRIVE
NORTH ANDOVER, MA
01845

PRODUCT DESCRIPTION
PREMIUM DATA CABLE ASSEMBLY

DRAWING TITLE
OUTLINE DRAWING

SIZE A	FSCM NO. 43321	DWG. NO. CS2N9MM-2.5-OD1	REV. E
------------------	--------------------------	------------------------------------	------------------

SCALE: NONE | CAD FILE: CS2N9MM-2.5-OD1.SLDDRW | SHEET 1 OF 1