

INDUCTORS DESIGNED FOR NATIONAL'S 260 KHz SIMPLE SWITCHER™



- Tested and recommended by National Semiconductor for the LM267X series
- Base material meets flammability requirements of UL 94V-0
- Available in surface mount and through hole versions

Electrical Specifications @ 25°C— Operating Temperature -30° to +130° C

Pulse THT Part Number	Pulse SMT Part Number	National Part Number	In Circuit Operating Parameters ¹			Nominal DCR (Ω)	Package	
			Nominal Inductance (μH)	Rated Current (Amps DC)	Max ² ETop (V-μSec)		Through Hole	Surface Mount
P0841	—	LM267X-L41	22.8	4.9	23.3	.036	KM-30	—
P0845	—	LM267X-L45	10.2	4.3	10.0	.026	KM-1.1	—
P0846	—	LM267X-L46	14.8	5.0	17.0	.023	KM-2.1	—
P0847	—	LM267X-L47	10	5.0	13.0	.025	KM-20	—
P0848	—	LM267X-L48	50	5.0	40.0	.050	KM-40	—
P0849	—	LM267X-L49	33	5.0	36.0	.047	KM-40	—
P0850	—	LM267X-L50	23	5.0	24.0	.026	KM-30	—
—	P0841S	LM267X-L41	22.8	4.9	23.3	.036	—	HCI-68
—	P0845S	LM267X-L45	10	4.3	10.0	.050	—	LCI-44
—	P0846S	LM267X-L46	15	5.0	17.0	.027	—	LCI-50
—	P0847S	LM267X-L47	11	5.0	13.0	.025	—	LCI-50
—	P0848S	LM267X-L48	52	5.0	40.0	.025	—	Bigfoot
—	P0849S	LM267X-L49	36	5.0	36.0	.019	—	Bigfoot
—	P0850S	LM267X-L50	24.7	5.0	24.0	.013	—	Bigfoot

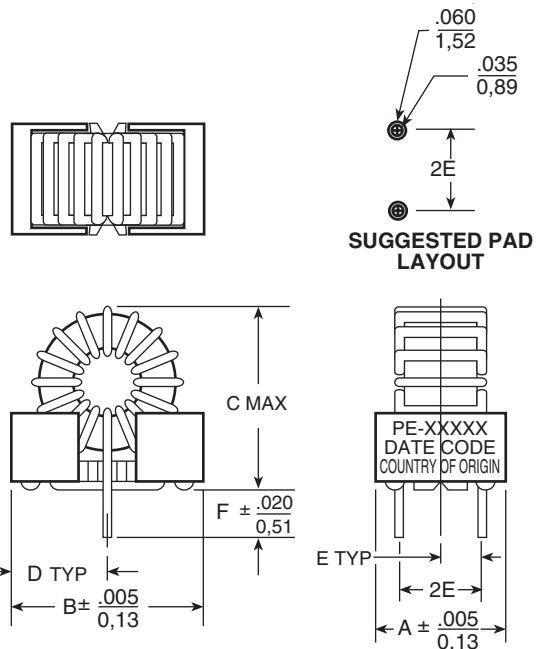
Notes : 1. Inductance values may vary ±20%.
2. ETop rated at 260 KHz.

3. SIMPLE SWITCHER™ is a trademark of National Semiconductor Corporation.

KlipMount Series

PKG	A	B	C	D	E	F
KM-1.1	.350	.580	.715	.290	.110	.130
	8,89	14,74	18,17	7,37	2,80	3,31
KM-2.0	.450	.650	.700	.325	.150	.130
	11,43	21,08	17,78	8,26	3,81	3,31
KM-2.1	.460	.670	.750	.335	.150	.130
	11,69	17,02	19,05	8,51	3,81	3,31
KM-3.0	.450	.830	.950	.415	.150	.130
	11,43	21,09	10,55	10,55	3,81	3,31
KM-4.0	.600	.950	1.350	.475	.225	.130
	15,24	24,13	34,29	12,07	5,72	3,31

Dimensions: $\frac{\text{Inches}}{\text{mm}}$
Unless otherwise specified, all tolerances are ± $\frac{.010}{0,25}$

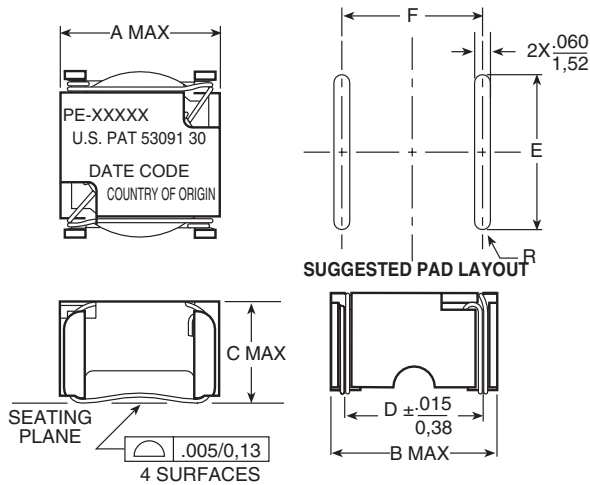


INDUCTORS DESIGNED FOR NATIONAL'S 260 KHz SIMPLE SWITCHER™



Mechanicals

LCI Series



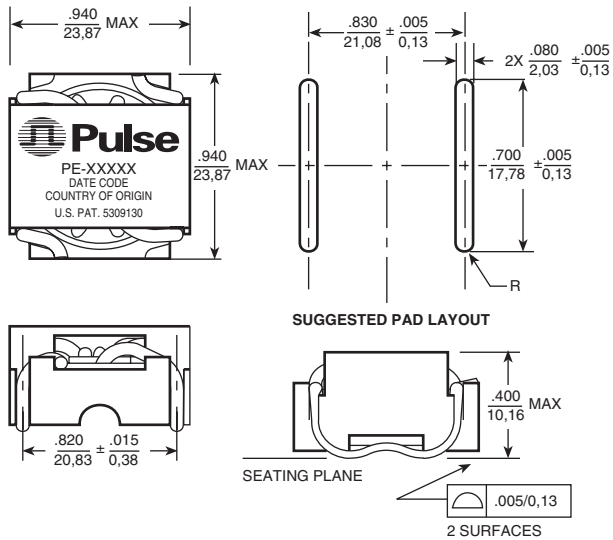
PKG	A	B	C	D	E	F
LCI-44	$\frac{.600}{15,24}$	$\frac{.620}{15,75}$	$\frac{.390}{9,91}$	$\frac{.500}{12,70}$	$\frac{.550}{13,97}$	$\frac{.510}{12,95}$
LCI-50	$\frac{.670}{17,02}$	$\frac{.700}{17,78}$	$\frac{.390}{9,91}$	$\frac{.580}{14,74}$	$\frac{.620}{15,75}$	$\frac{.590}{14,99}$

Note:
Coil must clear seating plane by $\frac{.010}{0,25}$ MIN

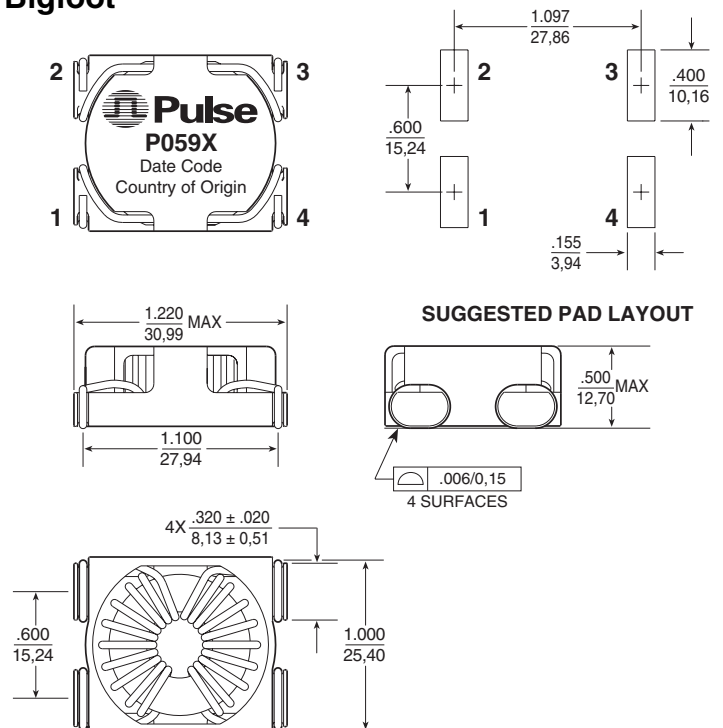
Dimensions: $\frac{\text{Inches}}{\text{mm}}$
Unless otherwise specified, all tolerances are $\pm \frac{.010}{0,25}$

- Notes:**
1. Dimension "D" is measured across terminal blocks only.
 2. Coil must clear seating plane by $\frac{.010}{0,25}$ MIN.

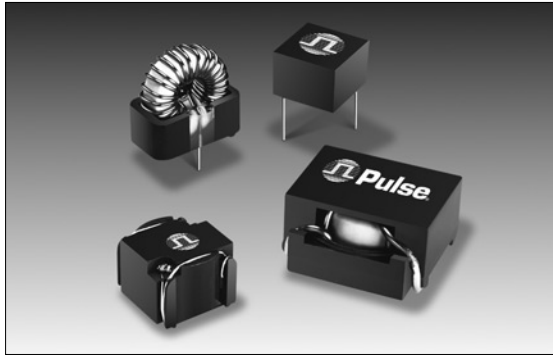
HCI-68






Bigfoot



INDUCTORS DESIGNED FOR NATIONAL'S 150 KHz SIMPLE SWITCHER™



- 
Tested and recommended by National Semiconductor
- 
Base material meets flammability requirements of UL 94V-0
- 
Available in surface mount and through hole versions

Electrical Specifications @ 25°C— Operating Temperature -30° to +130° C

Pulse THT Part Number	Pulse SMT Part Number	National Part Number	In Circuit Operating Parameters ¹			Nominal DCR (Ω)	Package	
			Nominal Inductance (μH)	Rated Current (Amps DC)	Max ² ETop (V-μSec)		Through Hole	Surface Mount
PE-53801	PE-53801S	LM259X-L1	259	0.13	23.1	3.4	LP-25	LCI-20
PE-53802	PE-53802S	LM259X-L2	178	0.16	16.5	2.8	LP-25	LCI-20
PE-53803	PE-53803S	LM259X-L3	118	0.2	13.2	1.8	LP-25	LCI-20
PE-53804	PE-53804S	LM259X-L4	79	0.25	9.9	1.5	LP-25	LCI-20
PE-53805	PE-53805S	LM259X-L5	55	0.3	6.6	1.0	LP-25	LCI-20
PE-53806	PE-53806S	LM259X-L6	39	0.34	6.6	.80	LP-25	LCI-20
PE-53807	PE-53807S	LM259X-L7	26	0.45	6.6	.62	LP-25	LCI-20
PE-53808	PE-53808S	LM259X-L8	374	0.2	75.9	2.7	LP-30	LCI-30
PE-53809	PE-53809S	LM259X-L9	256	0.25	33	2.2	LP-30	LCI-30
PE-53810	PE-53810S	LM259X-L10	176	0.3	26.4	1.4	LP-30	LCI-30
PE-53811	PE-53811S	LM259X-L11	118	0.38	19.8	1.2	LP-30	LCI-30
PE-53812	PE-53812S	LM259X-L12	78	0.46	16.5	0.8	LP-30	LCI-30
PE-53813	PE-53813S	LM259X-L13	55	0.56	13.2	0.5	LP-30	LCI-30
PE-53814	PE-53814S	LM259X-L14	39	0.68	9.9	0.3	LP-30	LCI-30
PE-53815	PE-53815S	LM259X-L15	26	0.84	6.6	0.2	LP-30	LCI-30
PE-53816	PE-53816S	LM259X-L16	17	1.02	6.6	0.1	LP-30	LCI-30
PE-53817	PE-53817S	LM259X-L17	375	0.36	75.9	1.3	LP-37	LCI-37
PE-53818	PE-53818S	LM259X-L18	252	0.44	49.5	0.9	LP-37	LCI-37
PE-53819	PE-53819S	LM259X-L19	173	0.54	36.3	0.6	LP-37	LCI-37
PE-53820	PE-53820S	LM259X-L20	115	0.67	29.7	0.4	LP-37	LCI-37
PE-53821	PE-53821S	LM259X-L21	78	0.82	23.1	0.3	LP-37	LCI-37
PE-53822	PE-53822S	LM259X-L22	54	1.0	16.5	0.2	LP-37	LCI-37
PE-53823	PE-53823S	LM259X-L23	38	1.2	13.2	0.1	LP-37	LCI-37
PE-53824	PE-53824S	LM259X-L24	26	1.48	9.9	0.1	LP-37	LCI-37
PE-53825	PE-53825S	LM259X-L25	18	1.81	9.9	0.06	LP-37	LCI-37
PE-53826	PE-53826S	LM259X-L26	377	0.68	75.9	1.0	LP-44	LCI-44
PE-53827	PE-53827S	LM259X-L27	248	0.83	72.6	0.6	LP-44	LCI-44
PE-53828	PE-53828S	LM259X-L28	168	1.02	56.1	0.4	LP-44	LCI-44
PE-53829	PE-53829S	LM259X-L29	112	1.26	42.9	0.3	LP-44	LCI-44
PE-53830	PE-53830S	LM259X-L30	77	1.54	33	0.2	LP-44	LCI-44
PE-53831	PE-53831S	LM259X-L31	53	1.87	26.4	0.13	LP-44	LCI-44
PE-53932	PE-53932S	LM259X-L32	37	2.24	19.8	0.10	LP-44	LCI-44
PE-53933	PE-53933S	LM259X-L33	24	2.74	16.5	0.07	LP-44	LCI-44
PE-53934	PE-53934S	LM259X-L34	17	3.0	13.2	0.05	KM-10	LCI-44
PE-53935	PE-53935S	LM259X-L35	250	1.5	72.6	0.23	KM-30	HCI-68
PE-54036	PE-54036S	LM259X-L36	168	1.81	75.9	0.18	KM-30	HCI-68
PE-54037	PE-54037S	LM259X-L37	114	2.22	62.7	0.10	KM-30	HCI-68
PE-54038	PE-54038S	LM259X-L38	77	2.7	52.8	0.09	KM-30	HCI-68
PE-54039	PE-54039S	LM259X-L39	53	3.0	42.9	0.08	KM-30	HCI-68
PE-54040	PE-54040S	LM259X-L40	38	3.0	29.7	0.05	KM-30	HCI-68
PE-54041	PE-54041S	LM259X-L41	25	3.0	19.8	0.04	KM-20	LCI-50
PE-54042	—	LM259X-L42	167	2.5	75.9	0.14	KM-40	—
PE-54043	—	LM259X-L43	110	3.0	75.9	0.09	KM-40	—
PE-54044	PE-54044S	LM259X-L44	77	3.0	59.4	0.08	KM-30	HCI-68
PE-53900	—	LM258X-L	19	4.5	32 ³	0.02	KM-30	—

Notes : 1. Inductance values may vary ±20%.
2. ETop rated at 150 KHz except where designated.

3. ETop rated at 100 KHz.
4. SIMPLE SWITCHER™ is a trademark of National Semiconductor Corporation.

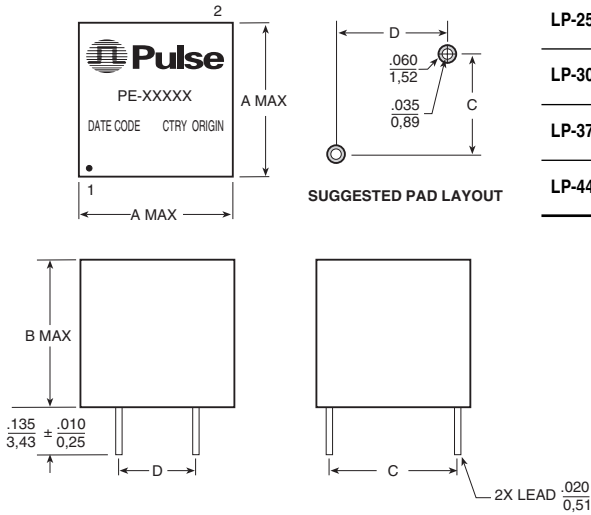
U.S.: 858 674 8100 • U.K.: 44 1483 401 700 • France: 33 3 84 35 04 04 • Singapore: 65 287 8998 • Taiwan: 886 2 2698 0228 • <http://www.pulseeng.com>

INDUCTORS DESIGNED FOR NATIONAL'S 150 KHz SIMPLE SWITCHER™



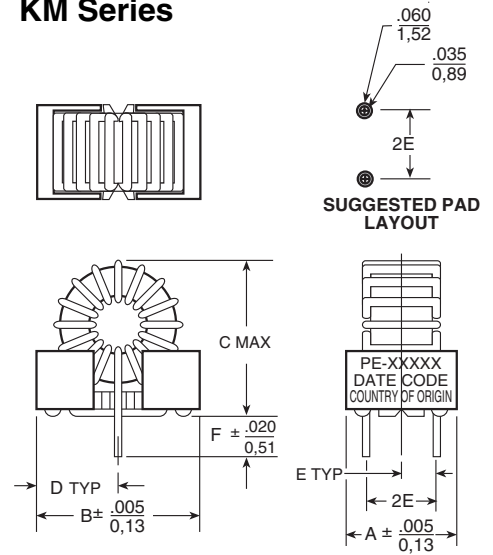
Mechanicals

LP Series



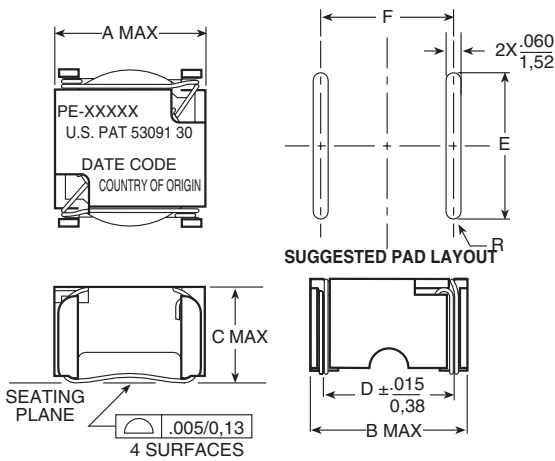
PKG	A	B	C	D
LP-25	.360 9,14	.310 7,87	.250 6,35	.250 6,35
LP-30	.400 10,16	.300 7,62	.300 7,62	.300 7,62
LP-37	.495 12,57	.375 9,52	.375 9,52	.375 9,52
LP-44	.635 16,13	.365 9,27	.500 12,7	.300 7,62

KM Series



PKG	A	B	C	D	E	F
KM-10	.340 8,64	.580 14,73	.650 16,51	.290 7,37	.110 2,79	.130 3,30
KM-20	.450 11,43	.650 16,51	.700 17,73	.325 8,26	.150 3,81	.130 3,30
KM-30	.450 11,43	.830 21,08	.950 24,13	.415 10,54	.150 3,81	.130 3,30
KM-40	.610 15,50	.970 24,64	1.10 27,94	.475 12,07	.225 5,72	.130 3,30

LCI Series

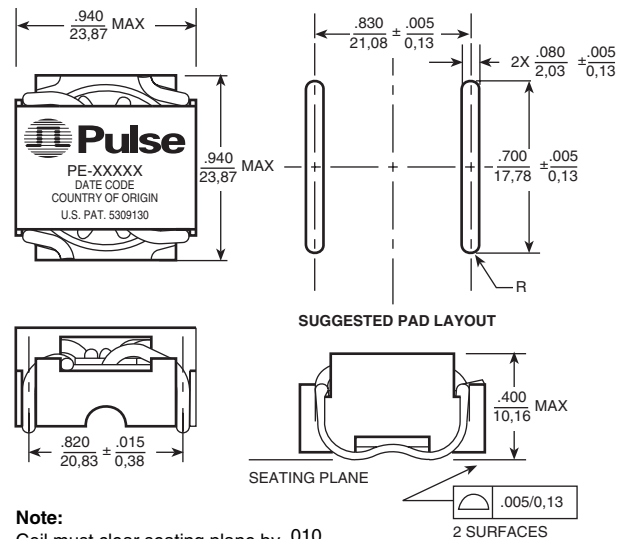


Notes:

- Dimension "D" is measured across terminal blocks only.
- Coil must clear seating plane by .010 MIN. 0,25

PKG	A	B	C	D	E	F
LCI-20	.340 8,64	.340 8,64	.270 6,86	.260 6,60	.300 7,62	.270 6,86
LCI-30	.435 11,05	.440 11,18	.360 9,14	.350 8,89	.400 10,16	.360 9,14
LCI-37	.565 14,35	.570 14,48	.360 9,14	.450 11,43	.520 13,21	.460 11,68
LCI-44	.600 15,24	.620 15,75	.390 9,91	.500 12,7	.550 13,97	.510 12,95
LCI-50	.670 17,02	.700 17,78	.390 9,91	.580 14,73	.620 15,75	.590 14,99

HCI-68



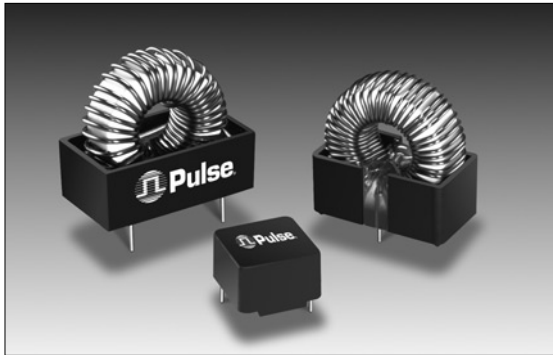
Note:




Coil must clear seating plane by .010 MIN 0,25

Dimensions: Inches
mm

Unless otherwise specified, all tolerances are $\pm .010 \pm 0,25$

INDUCTORS DESIGNED FOR NATIONAL'S 50 KHz SIMPLE SWITCHER™



- 
 Designed for use with National's device numbers LM2574/LM2575/LM2576
- 
 Base material meets flammability requirements of UL 94V-0
- 
 Performance verified by National Semiconductor

Electrical Specifications @ 25°C— Operating Temperature -30° to +130° C

Part Identification		Reference Operating Values ¹			Design Control Values			
Part Number	Inductor Code	Inductance Typical (μH)	I _{DC} (Amps)	ET _{OP} (V-μSec)	Inductance No DC ² (μH ± 20%)	DCR (Ω MAX)	Package Style	Lead Diameter
PE-53112	L47	47	3.0	90	38	0.05	KM-2.0	.025
PE-92114K	L68	68	3.0	90	55	0.02	KM-4.0	.040
PE-92108K	L100	100	3.0	90	91	0.04	KM-4.0	.032
PE-53113	L150	150	2.0	90	130	0.10	KM-4.0	.025
PE-52626	L220	220	1.4	90	230	0.38	Low Profile	.025 SQ.
PE-53145	L220	220	1.4	90	176	0.14	KM-3.0	.020
PE-52627	L330	330	0.9	90	302	0.74	Low Profile	.025 SQ.
PE-53146	L330	330	0.9	90	267	0.18	KM-3.0	.020
PE-53114	L470	470	0.64	90	426	0.16	KM-4.0	.025
PE-52629	L680	680	.85	90	657	1.25	Low Profile	.025 SQ.
PE-53115	H150	150	3.0	200	136	0.10	KM-4.0	.025
PE-53116	H220	220	3.0	200	167	0.07	KM-5.0	.032
PE-53117	H330	330	3.0	200	292	0.15	KM-5.0	.025
PE-53118	H470	470	2.0	200	369	0.17	KM-5.0	.025
PE-53119	H680	680	1.3	200	562	0.20	KM-5.0	.025
PE-53120	H1000	1000	0.95	200	762	0.24	KM-5.0	.025
PE-53121	H1500	1500	0.62	200	1150	1.00	Case	.032
PE-53122	H220	2200	0.42	200	1730	1.80	Case	.032

NOTES:

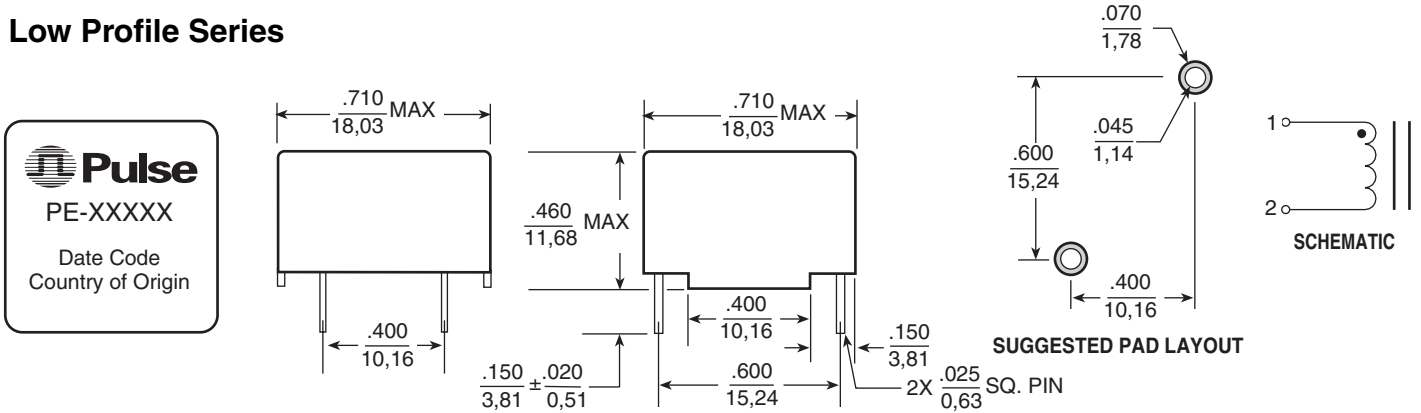
1. Typical inductance occurs at the I_{DC} and ET_{OP} values shown.
2. The control value of inductance is measured at B_{OP} equal to or less than 10 gauss (10 mV @ 20 KHz) without DC current.
3. Inductance decreases with higher values of DC current and increases with lower values of DC current.
4. Inductance increases with increase in B_{OP} or ET_{OP}.
5. SIMPLE SWITCHER™ is a trademark of National Semiconductor Corporation.

INDUCTORS DESIGNED FOR NATIONAL'S 50 KHz SIMPLE SWITCHER™

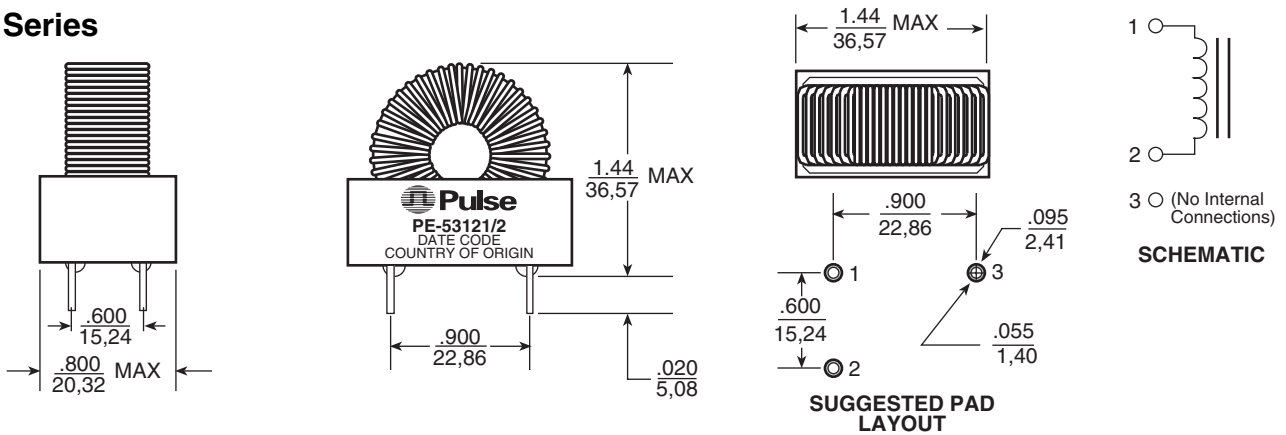


Mechanicals

Low Profile Series



Case Series



KlipMount Series

PKG	A	B	C	D	E	F
KM-2.0	.450	.650	.700	.325	.150	.130
	11,43	16,51	17,78	8,26	3,81	3,30
KM-3.0	.450	.830	.950	.415	.150	.130
	11,43	21,08	24,13	10,54	3,81	3,30
KM-4.0	.610	.970	1.10	.475	.225	.130
	15,50	24,64	27,94	12,07	5,72	3,30
KM-5.0	.700	1.30	1.40	.625	.250	.130
	17,78	33,02	35,56	15,88	6,35	3,30

Dimensions: $\frac{\text{Inches}}{\text{mm}}$

Unless otherwise specified, all tolerances are $\pm \frac{.010}{0,25}$

