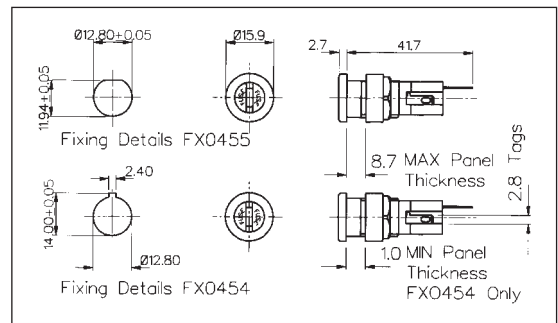


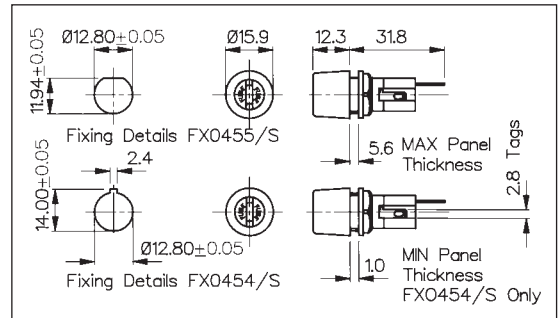
Panel Mounting and Snap Fit Touchproof® PC2



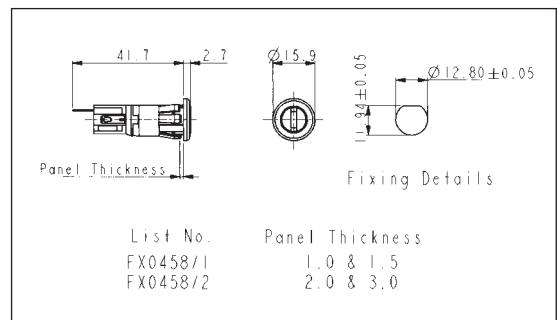
- Panel Mount
- Touchproof Category PC2
- Fuse Size 5 x 20mm
- Screw Cap/Screwdriver Release
- 10A, 250V (16A, 250V UL & CSA pending)



- Panel Mount
- Touchproof Category PC2
- Fuse Size 5 x 20mm
- Screw Cap/Screwdriver Release
- Protruding Bezels
- 10A, 250V (16A, 250V UL & CSA pending)



- Snap Fit to Panel
- Panel Sizes 1.0 & 1.5 and 2.0 & 3.0mm
- Touchproof Category PC2
- Fuse Size 5 x 20mm
- Screw Cap/Screwdriver Release
- 10A, 250V (16A, 250V UL & CSA)



Specification	FX0454, FX0455	FX0454/S, FX0455/S	FX0458
Fuse Size:	5 x 20mm	5 x 20mm	5 x 20mm
Fuse Carrier:	Screw cap/Screwdriver release	Screw cap/Screwdriver release	Screw cap/Screwdriver release
Terminations:	2.8 series tabs/solder tags	2.8 series tabs/solder tags	2.8 series tabs/solder tags
Max. Rating:	10A, 250V (16A, 250V UL & CSA pending)	10A, 250V (16A, 250V UL & CSA pending)	10A, 250V (16A, 250V UL & CSA pending)
Max. Power Dissipation:	4W (@ 23°C)	4W (@ 23°C)	4W (@ 23°C)
Insulation Resistance:	>10 ² MΩ @ 500V d.c.	>10 ² MΩ @ 500V d.c.	>10 ² MΩ @ 500V d.c.
A.C. Breakdown:	7kV @ 50Hz	7kV @ 50Hz	>7kV @ 50Hz
Contact Resistance:	<10mΩ	<10mΩ	<10mΩ
Mouldings:	Body: Polyester UL94V-0 rated Cap: Nylon UL94V-0 rated Nut: Glass Filled Nylon UL94V-0 rated	Body: Polyester UL94V-0 rated Cap: Nylon UL94V-0 rated Nut: Glass Filled Nylon UL94V-0 rated	Body: Polyester UL94V-0 rated Cap: Nylon UL94V-0 rated
Contacts:	Brass, Silver Plated	Brass, Silver Plated	Brass, Silver Plated
Approvals:	*pending	*pending	all pending
Accessories:	P.Nos. 11327, 12297 & 12298 (See page 155)	P.Nos. 11327, 12297 & 12298 (See page 155)	P.No. 11327 (See page 155)