



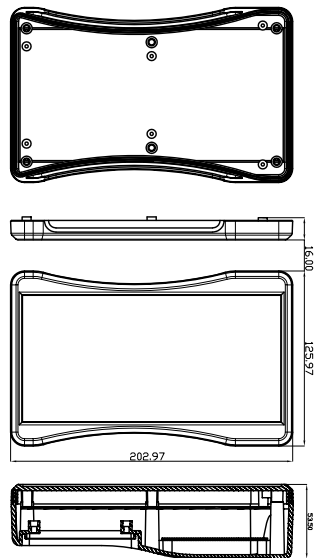
ENCLOSURES & ASSEMBLY SERVICES

BOX ENCLOSURES, INC  
 28835 N. HERKY DRIVE, #114,  
 LAKE BLUFF, IL 60044

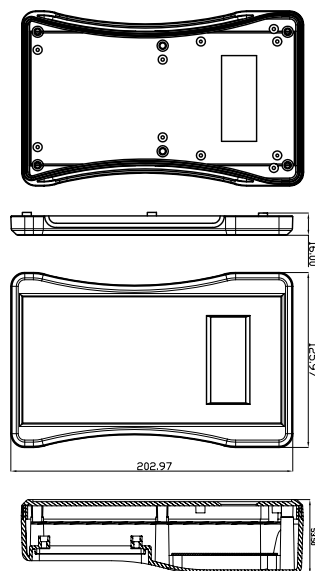
TEL: 847-932-4700

WWW.BOXENCLOSURES.COM

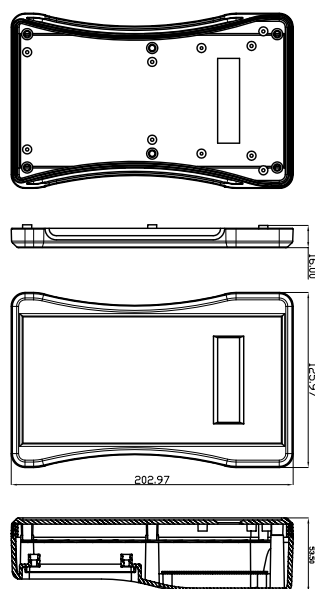
FAX: 847-932-4701



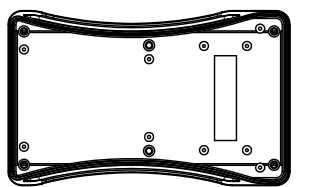
TOP-(NO-LCD)



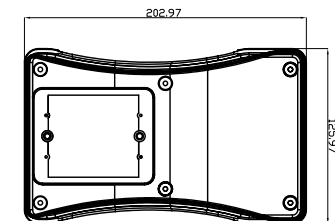
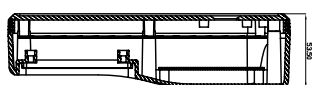
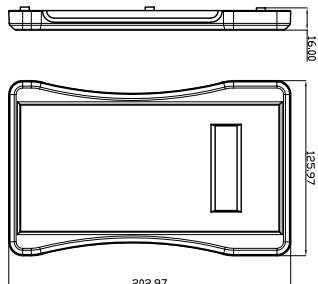
TOP-(MDL-S-16465)



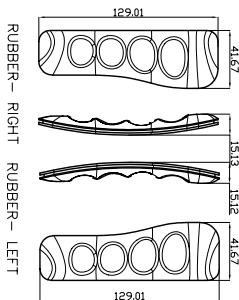
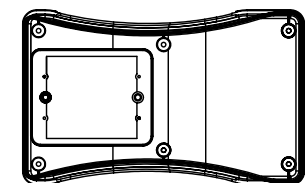
TOP-(MDL-S-16265)



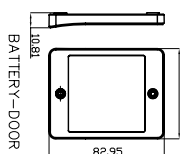
TOP-(MDL-S-16265B)



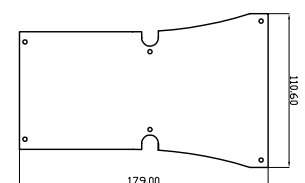
BOTTOM



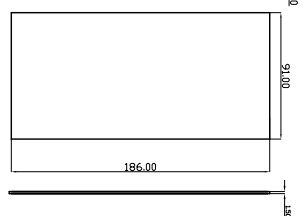
RUBBER - RIGHT RUBBER - LEFT



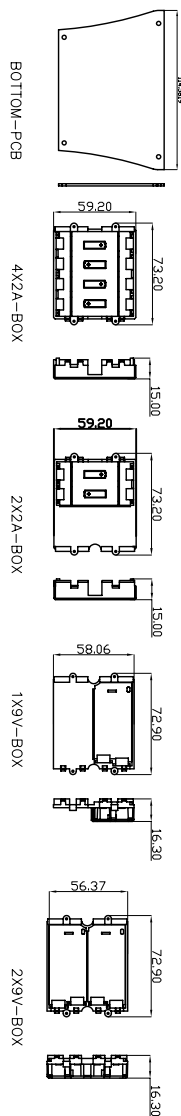
BATTERY-DOOR



MAIN-PCB



MEMBRANE KEY PAD



BOTTOM-PCB

4X2A-BOX

2X2A-BOX

1X9V-BOX

2X9V-BOX

<p>ENCLOSURES &amp; ASSEMBLY SERVICES</p>		<p>Revision:</p> <p>Model:</p> <p>EXTREME-M</p>	
<p>Title</p>		<p>Dwg. No.:</p> <p>Part No.:</p>	
<p>Material:</p>		<p>Color:</p> <p>Drn. Date</p> <p>Czcpn 2005-10-06</p>	
<p>Finish:</p> <p>all dimension in mm          unless otherwise specified</p>		<p>Qty:</p> <p>Chk. Date</p>	
<p>Proj. </p>		<p>Sheet 1 of 1</p> <p>App. Date</p>	
<p>TOLERANCE</p> <p>.x ±0.20</p> <p>.xx ±0.10</p> <p>.xxx ±0.05</p> <p>ANGLE ±0.5°</p>			

THIS DRAWING IS THE PROPERTY OF AND MAY EMPLOY PROPRIETARY INFORMATION OWNED BY BOX ENCLOSURES. IT IS PROVIDED UNDER A CONFIDENTIAL RELATIONSHIP FOR A SPECIFIC PURPOSE. THE RECIPIENT AGREES TO USE IT ONLY FOR SUCH PURPOSE AND RETURN IT TO BOX ENCLOSURE UPON REQUEST.