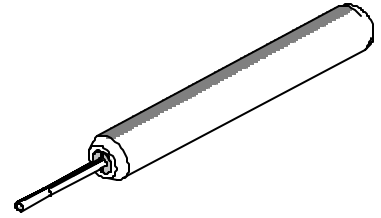




# Extractor Tool Instruction Sheet Order No. 11-03-0006 (HT2038)



For removal of .093" Diameter Series pin and socket male and female terminals in both plugs and receptacles.

## OPERATION:

- 1) The Extractor Tool must be **In Line** with the terminal as shown. Push terminal forward in arrow direction before using the Extractor Tool (Figure 1).

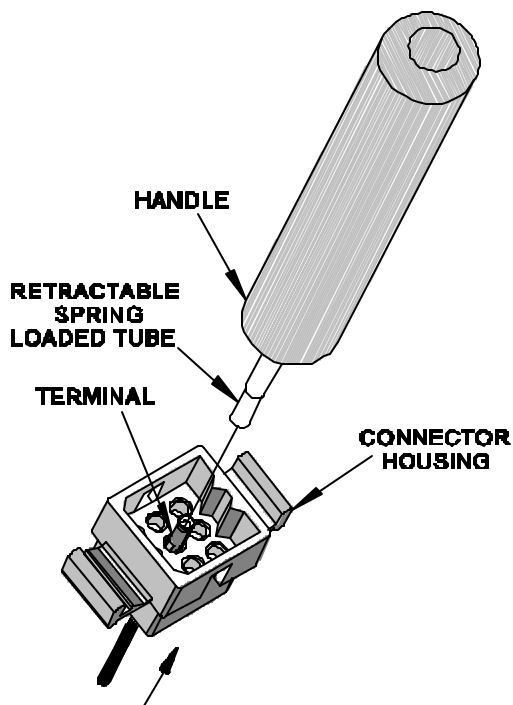


Figure 1

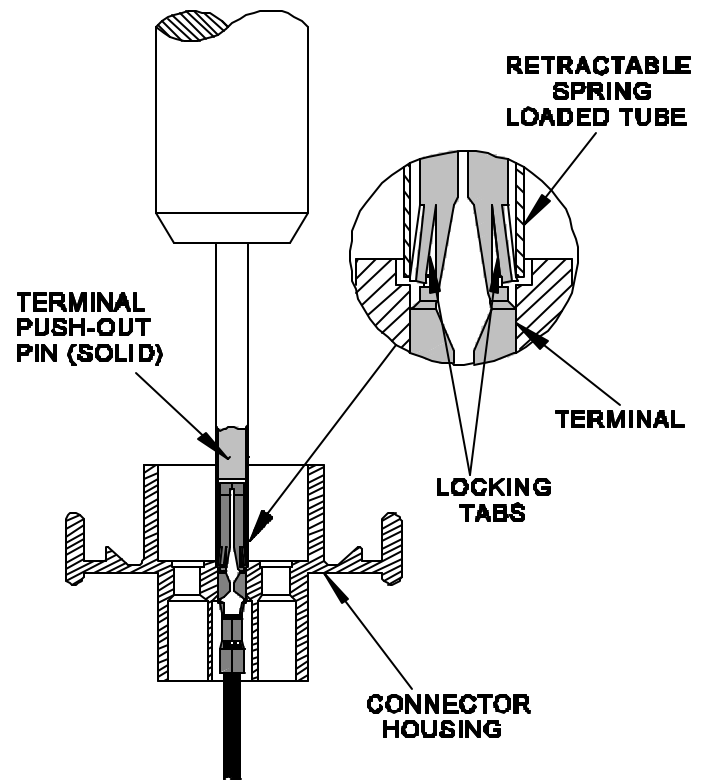


Figure 2

- 2) The Retractable Spring Loaded Tube must depress the Locking Tabs on the terminal before it contacts the Terminal Push out pin. Rotate Extractor Tool while following above instructions (Figure 2).

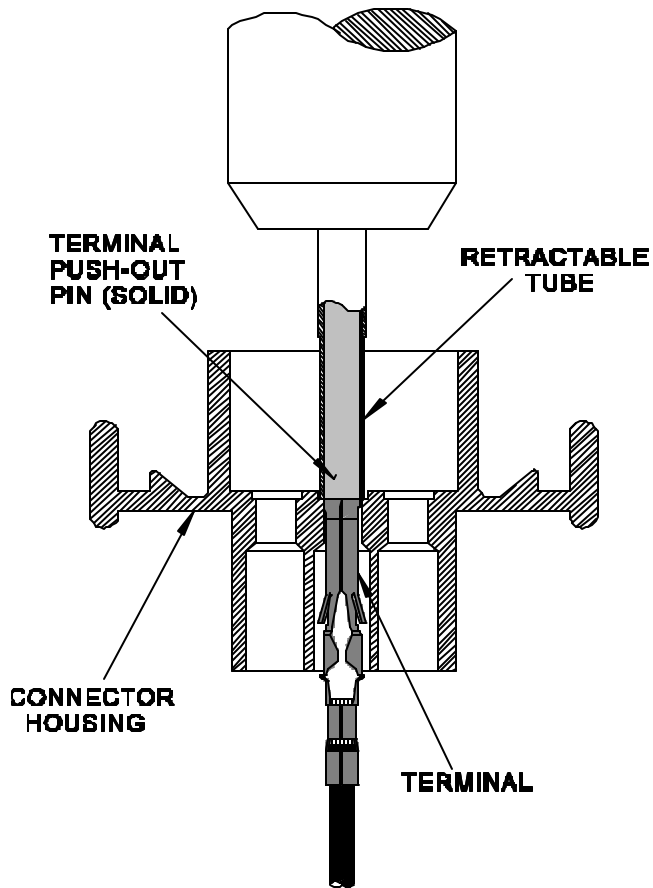


Figure 3

- 3) The Terminal Push-Out Pin (solid) pushes the terminal back through the connector hole as the Retractable Tube recedes into the handle. Always re-spread the locking Tabs when reinserting the same terminal.
- 4) Molex does not offer repair parts for Extractor Tools due to the Inexpensive nature of these tools.

**Molex Tooling Group**  
1150 E. Diehl Road  
Naperville, IL 60563  
(630) 969-4550; FAX (630) 505-0049