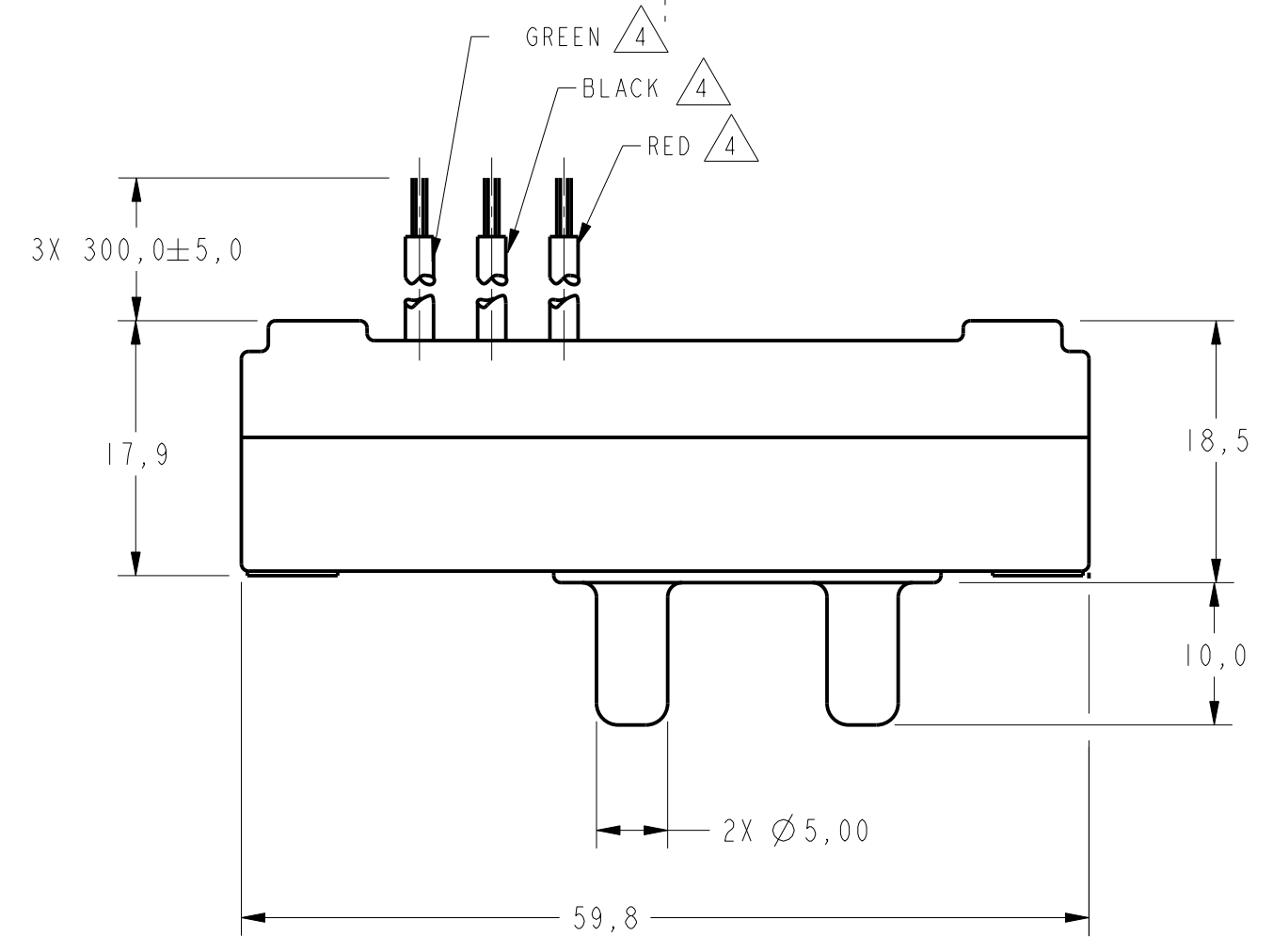


CATALOG LISTING	TYPE	OPERATING PRESSURE RANGE
142PC15AW	G	0 TO -14.7 PSIG
142PC15DW	A	0 TO 15 PSIA
142PC15AW28	D	0 TO 15 PSID
	G	0 TO 15 PSIG
	A	0 TO 15 PSIA
	G	0 TO 15 PSIG
	A	0 TO 15 PSIA
	D	0 TO 15 PSID

METRIC	INCHES
1,50	.059
3,52	.139
5,00	.197
6,1	.24
7,1	.28
10,0	.39
12,3	.48
12,6	.50
16,2	.64
17,9	.70
18,5	.73
30,0	1.18
52,40	2.063
59,8	2.35
300,0 ±25,0	11.81 ±.98

GENERAL OPERATING CHARACTERISTICS	
PRESSURE RANGE	0 TO 775 mmHg (0 TO 15 PSI)
OVERPRESSURE	2327 mmHg (45 PSI)
TEMPERATURE RANGE	-55 TO +125 °C
SUPPLY VOLTAGE	7 TO 16 VDC
SUPPLY CURRENT	20mA MAX WITH 10K LOAD
OUTPUT VOLTAGE	PROPORTIONAL TO SUPPLY VOLTAGE OVER ABOVE RECOMMENDED RANGE
SHORT CIRCUIT LIMIT	MAY BE SHORTED INDEFINITELY
OUTPUT RIPPLE	NONE
GROUND REFERENCE	SUPPLY AND OUTPUT ARE COMMON



NOTES

1 - INPUT MEDIA:
 P1 - DRY GASES ONLY: CONNECTION SIDE OF SENSOR
 P2 - LIMITED ONLY TO THOSE MEDIA THAT WILL NOT ATTACK POLYESTER, SILICON OR SILICONE BASED ADHESIVE

2 - LIMIT SOLDERING TO 315 °C MAX FOR 10 SECONDS MAX

3 - UNITS ARE OF PLASTIC CONSTRUCTION

4 - STRIPPED & TINNED LEAD ENDS TO BE 5.00 MAX

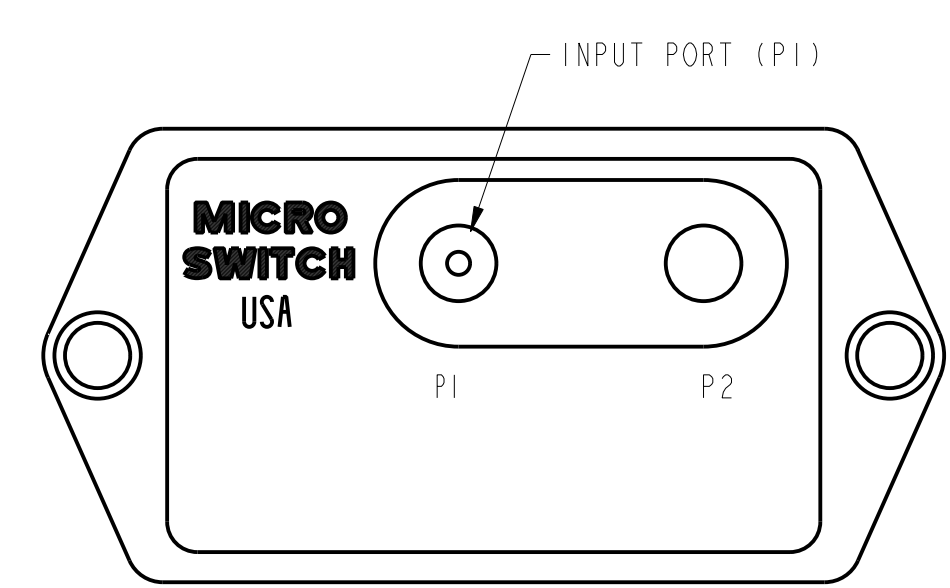
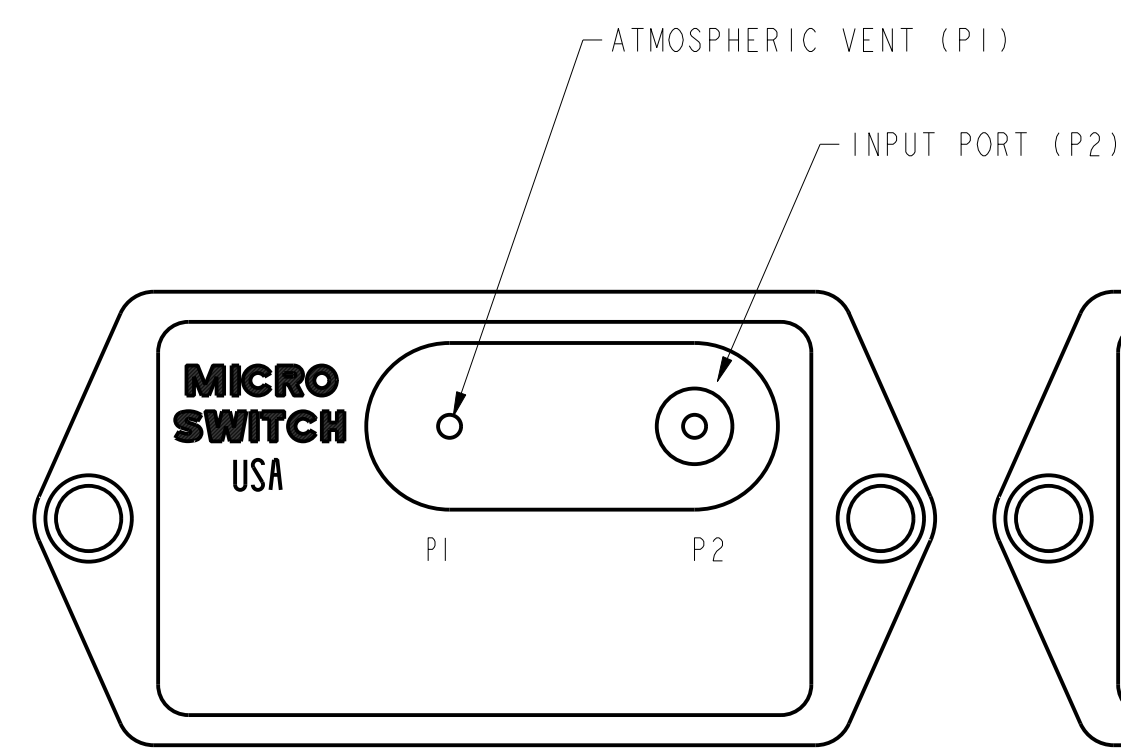
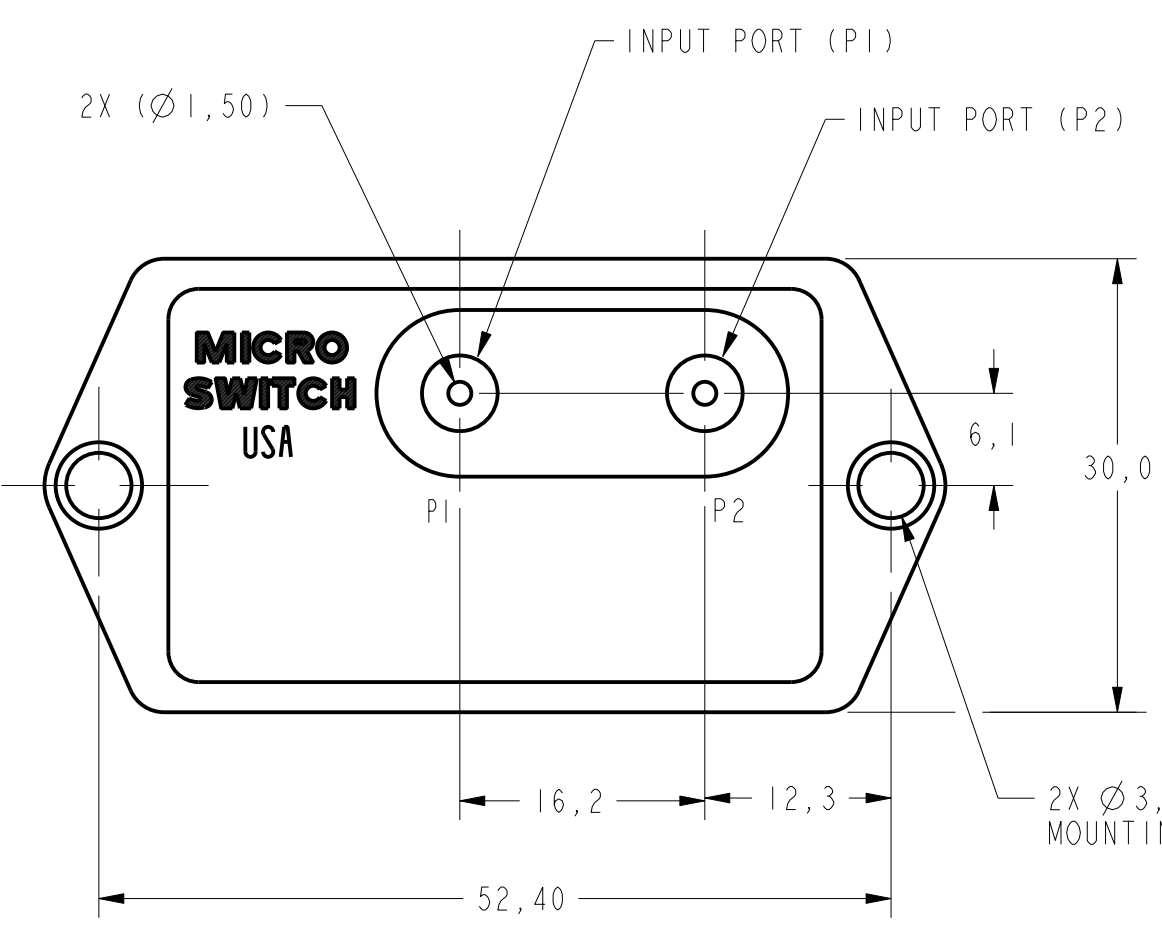
5 - P2 - MATERIAL SELECTED FOR RESISTANCE TO GASOLINE AND GASOLINE VAPORS

6 - TEST DATA TO BE SUPPLIED WITH EACH SENSOR CONSISTING OF NULL, FULL SCALE AND 2 IN BETWEEN DATA POINTS AT ROOM TEMPERATURE ALONG WITH NULL AND FULL SCALE READINGS AT BOTH COMPENSATED TEMPERATURE EXTREMES

7 - 3X 24GA WIRE PER MIL STD 16878/4

ELECTRICAL PERFORMANCE AT 25 °C AND 8.00 ± 0.01 VDC SUPPLY

OUTPUT VOLTAGE	
141PC15GW	
NULL (0 PSIG)	1.000 ± .050 VDC
FULL SCALE (-12.5 PSIG)	5.900 VDC TYP P2 > P1
SPAN	4.167 ± .050 VDC
142PC15DW OR GW	
NULL (0 PSIG)	1.000 ± .050 VDC
FULL SCALE (15 PSI)	6.000 VDC TYP P2 > P1
SPAN	5.000 ± .050 VDC
SENSITIVITY	333.3 mV/PSI TYP
LINEARITY (B.F.S.L.)	.75% SPAN MAX P1 > P2 .150% SPAN MAX P2 > P1
HYSTERESIS & REPEATABILITY	.15% SPAN TYP
TEMPERATURE ERROR	
-18 °C TO +63 °C	1.00% SPAN MAX
-40 °C TO +85 °C	1.50% SPAN TYP
142PC15AW	
NULL (0 PSIA)	1.000 VDC TYP
REFERENCE (2 PSIA)	1.667 ± .050 VDC
FULL SCALE (15 PSIA)	6.000 VDC TYP P1 > P2
SPAN (2 TO 15 PSIA)	4.333 ± .050 VDC
SENSITIVITY	333.3 mV/PSI TYP
LINEARITY (B.F.S.L.)	.87% SPAN MAX
HYSTERESIS & REPEATABILITY	.17% SPAN TYP
TEMPERATURE ERROR	
-18 °C TO +63 °C	1.15% SPAN MAX
-40 °C TO +85 °C	1.73% SPAN TYP



TYPE "G" (GAGE)

TYPE "A" (ABSOLUTE)

TYPE "D" (DIFFERENTIAL)

140PC15 SERIES CHART 2
 DRAWING NUMBER
 ISSUE 17
 CHECK CMH
 27 AUG 07
 RELEASE NO. PR-8274
 PAGES 1 OF 1
 REPLACES
 REVISIONS
 A 201727 TSM 1 MAR 01
 B 202614 TSM 19 MAR 01
 C 0033081 DDM 27 AUG 07
 PTC/CAD 2D
 DRAWN
 TSM 1 MAR 01 CHECK SAV 1 MAR 01 CHECK

THIS DRAWING COVERS A PROPRIETARY ITEM AND IS THE PROPERTY OF MICRO SWITCH, A DIVISION OF HONEYWELL. THIS DRAWING IS NOT TO BE COPIED OR USED WITHOUT THE APPROVAL OF MICRO SWITCH.

MICRO SWITCH
a Honeywell Division

PRESSURE TRANSDUCER

CATALOG LISTING
140PC15 SERIES CHART 2

DESIGN UNITS SI METRIC US CUSTOMARY

WEIGHT 31 G

THIRD ANGLE PROJECTION

SCALE 2 : 1

DO NOT SCALE PRINT

TOLERANCES
APPLY TO DESIGN UNITS. CONVERSIONS ARE ONLY FOR REFERENCE. UNLESS NOTED, TOLERANCES ARE :

DIM.	TOL.	DIM.	TOL.
mm	mm/±	"	mm/±
NO PLACES	X	1/2, 04	X, X
ONE PLACE	X, X	0.47, 016	X, XX
TWO PLACES	X, XX	0.157, 006	X, XXX
THREE PLACES			
ANGLES			

ANSI Y14.5M-1982 APPLIES

FED. MFG. CODE 91929