

Low Voltage Fuse Links

D Series Gauge Ring Kit



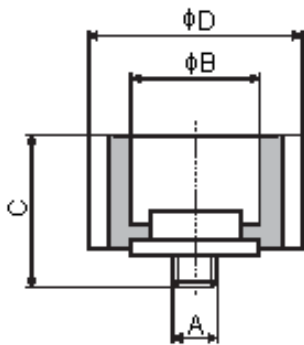
DII



DIII

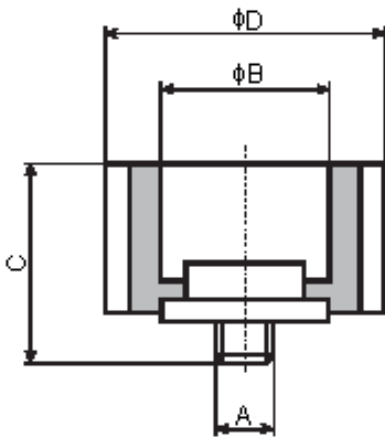


DII



Dimensions : Millimetres

DIII



Dimensions : Millimetres

Low Voltage Fuse Links

D Series Gauge Ring Kit



Specifications

Description	Type	Colour		Dimensions				Part Number
				A (Inches)	B	C	D	
Gauge Ring, DII, 7PK	DII	Pink	2	3/16	6.5	17	24	2342001
		Brown	4					2342002
		Green	6					2342003
		Red	10		8.5			2342004
		Grey	16		10.5			2342005
		Blue	20		12.5			2342006
		Yellow	25		14.5			2342007
Gauge Ring, DIII, 3PK	DIII	Black	35		16.5		30	2343001
		White	50		18.5			2343002
		Copper	63		20.5			2343003

Dimensions : Millimetres

Disclaimer This data sheet and its contents (the "Information") belong to the Premier Farnell Group (the "Group") or are licensed to it. No licence is granted for the use of it other than for information purposes in connection with the products to which it relates. No licence of any intellectual property rights is granted. The Information is subject to change without notice and replaces all data sheets previously supplied. The Information supplied is believed to be accurate but the Group assumes no responsibility for its accuracy or completeness, any error in or omission from it or for any use made of it. Users of this data sheet should check for themselves the Information and the suitability of the products for their purpose and not make any assumptions based on information included or omitted. Liability for loss or damage resulting from any reliance on the Information or use of it (including liability resulting from negligence or where the Group was aware of the possibility of such loss or damage arising) is excluded. This will not operate to limit or restrict the Group's liability for death or personal injury resulting from its negligence. SPC Multicomp is the registered trademark of the Group. © Premier Farnell plc 2009.

<http://www.farnell.com>
<http://www.newark.com>
<http://www.cpc.co.uk>

