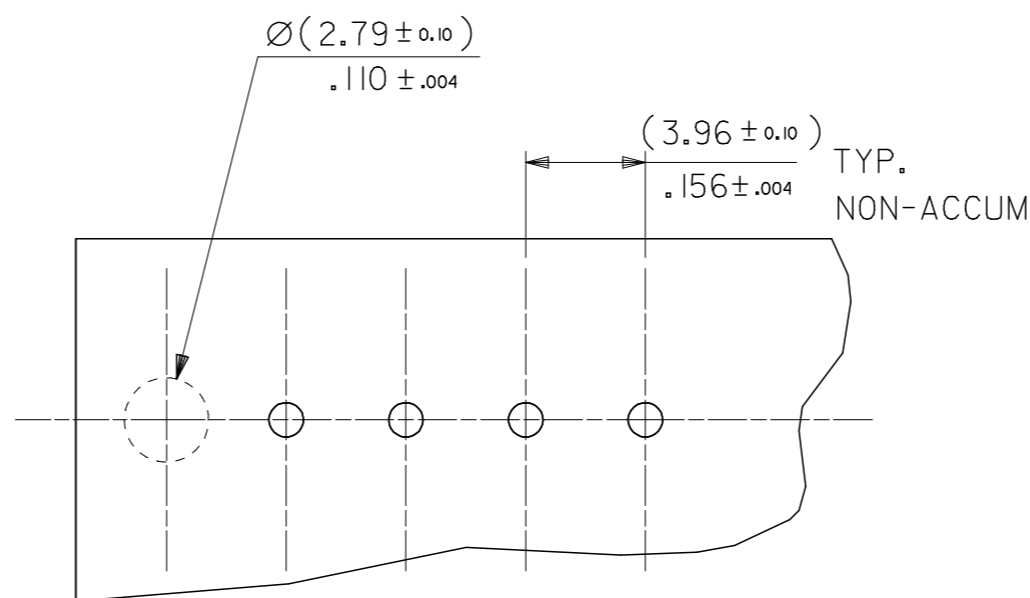
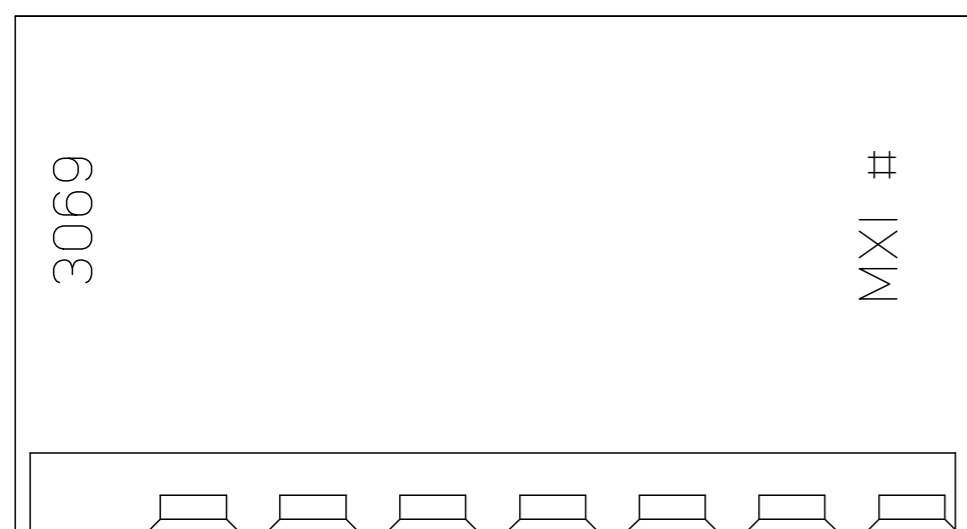
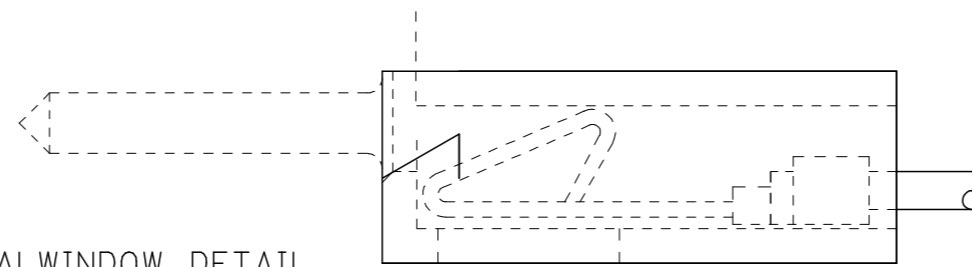
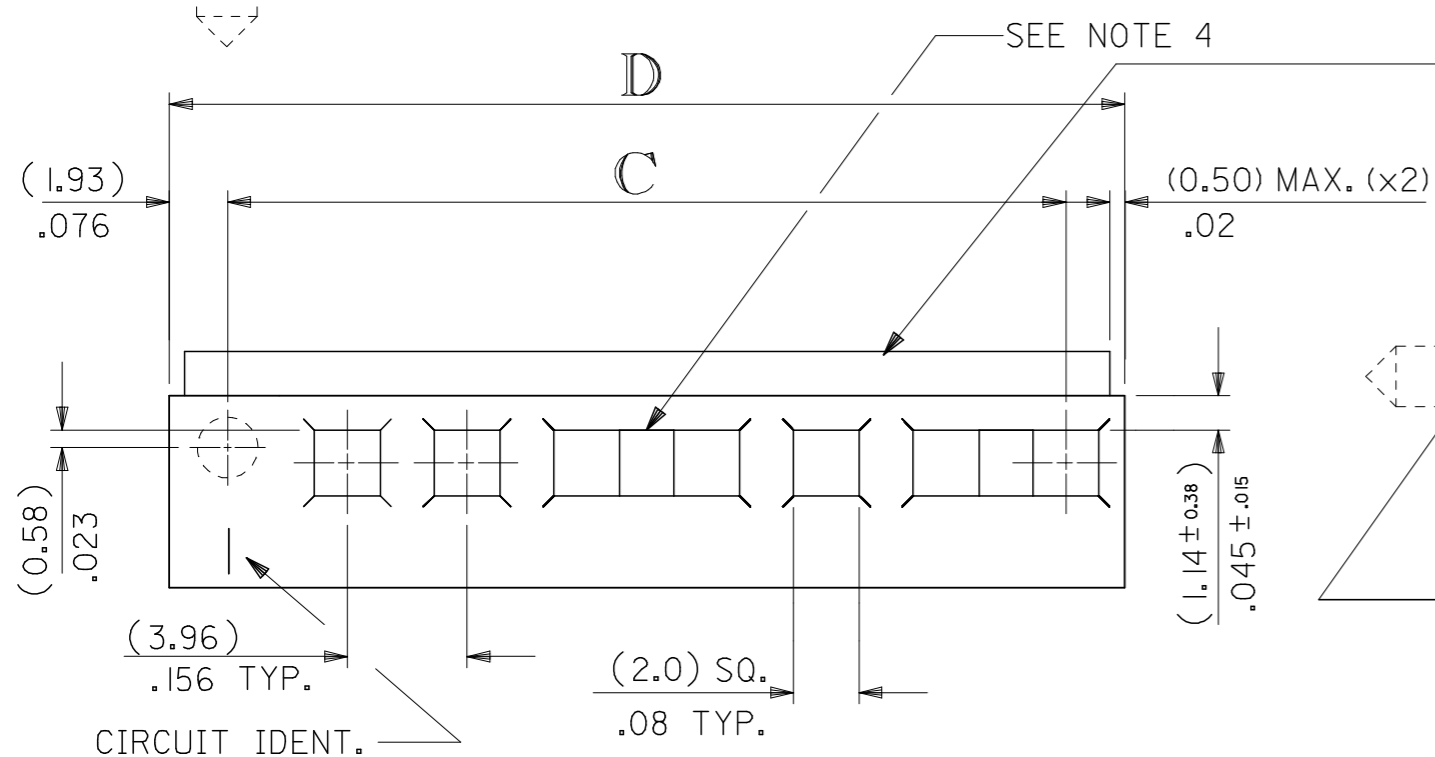


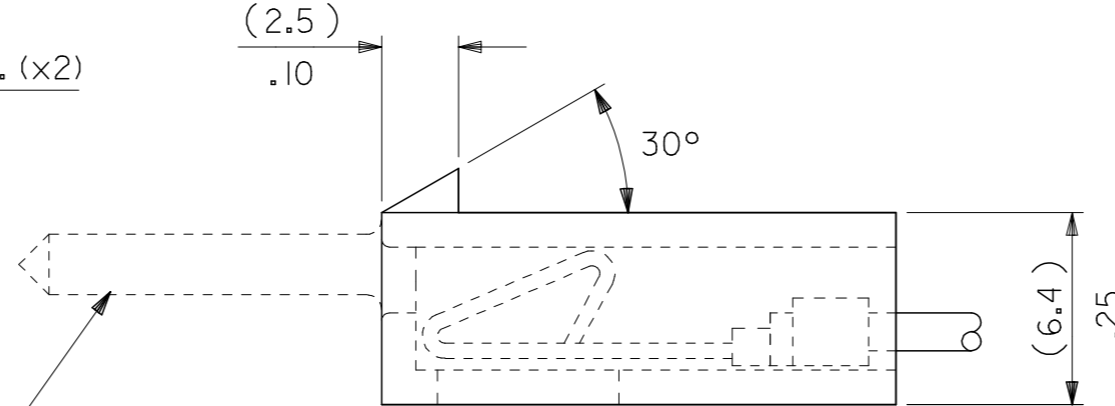
OPTIONAL WINDOW DETAIL



RECOMMENDED P/C BOARD



LOCKING RAMP OPTIONAL



OPTIONAL PEG IN POSITION No. 1 ONLY

DIRECTION OF TERMINAL INSERTION.

ENG. No. DESIGNATION

3069 - A N 2 P

"A" DESIGNATES NYLON 6/6, 94V-0 COLOUR RED
 "BLANK" DESIGNATES NYLON 6/6
 "B" DESIGNATES NYLON 6/6, 94V-0 COLOUR WHITE

"P" INDICATES HOUSING WITH PEG
 "BLANK" INDICATES HOUSING WITHOUT PEG.

"2" INDICATES HOUSING WITHOUT RAMP
 "BLANK" INDICATES HOUSING WITH RAMP

NO. OF CKT'S

No. OF CCTS.	C	D	No. OF CCTS.	C	D
14	(51.51 ± 0.36) 2.028 ± 0.014	(55.37 ± 0.36) 2.180 ± 0.014	2	(3.96 ± 0.15) .156 ± 0.005	(7.82 ± 0.25) .308 ± 0.010
15	(55.47 ± 0.36) 2.184 ± 0.014	(59.33 ± 0.36) 2.336 ± 0.014	3	(7.92 ± 0.15) .312 ± 0.005	(11.79 ± 0.25) .464 ± 0.010
16	(59.44 ± 0.36) 2.340 ± 0.014	(63.30 ± 0.36) 2.492 ± 0.014	4	(11.89 ± 0.15) .468 ± 0.005	(15.75 ± 0.25) .620 ± 0.010
17	(63.40 ± 0.36) 2.496 ± 0.014	(67.26 ± 0.36) 2.648 ± 0.014	5	(15.85 ± 0.15) .624 ± 0.005	(19.71 ± 0.25) .776 ± 0.010
18	(67.36 ± 0.36) 2.652 ± 0.014	(71.22 ± 0.36) 2.804 ± 0.014	6	(19.81 ± 0.15) .780 ± 0.005	(23.67 ± 0.25) .932 ± 0.010
19	(71.32 ± 0.36) 2.808 ± 0.014	(75.18 ± 0.36) 2.960 ± 0.014	7	(23.77 ± 0.15) .936 ± 0.005	(27.64 ± 0.31) 1.088 ± 0.012
20	(75.29 ± 0.36) 2.964 ± 0.014	(79.15 ± 0.46) 3.116 ± 0.018	8	(27.74 ± 0.25) 1.092 ± 0.010	(31.60 ± 0.31) 1.244 ± 0.012
			9	(31.70 ± 0.25) 1.248 ± 0.010	(35.56 ± 0.31) 1.400 ± 0.012
			10	(35.66 ± 0.25) 1.404 ± 0.010	(39.52 ± 0.31) 1.556 ± 0.012
			11	(39.62 ± 0.25) 1.560 ± 0.010	(43.48 ± 0.31) 1.712 ± 0.012
			12	(43.59 ± 0.25) 1.716 ± 0.010	(47.45 ± 0.31) 1.868 ± 0.012
			13	(47.55 ± 0.31) 1.872 ± 0.012	(51.41 ± 0.36) 2.024 ± 0.014

NOTES:

- 1) SIMILAR TO 2139-N EXCEPT WITH POLARIZING PEG.
- 2) FOR USE WITH TERMINAL No. 2478 OR 2578
- 3) ASSEMBLED CONNECTOR MATES WITH (.14)/.045 SQUARE OR ROUND PIN.
- 4) EXTENDED PIN ENTRY WINDOWS ARE POSSIBLE.

CORRECT TEXT LOC EC NO: E2007-0720 DRAWN: DWASZK LEWICZ 2007/03/28 CHK'D: D. MORIARTY 2007/03/29 APPR: J. DENNEHY 2007/04/04	REV	DESCRIPTION	QUALITY SYMBOLS =0 =0	GENERAL TOLERANCES (UNLESS SPECIFIED)		DIMENSION STYLE	SCALE	DESIGN UNITS	THIRD ANGLE PROJECTION
						MM/IN	4:1	METRIC	
						DRAWN BY	DATE	TITLE	
						CHECKED BY	DATE		
		ANGULAR ± 2 °		APPROVED BY	DATE	MOLEX INCORPORATED			
		DRAFT WHERE APPLICABLE MUST REMAIN WITHIN DIMENSIONS		MATERIAL NO.		DOCUMENT NO.		SHEET NO.	
				SEE CHART		SD-3069-N***		1 OF 2	
				THIS DRAWING CONTAINS INFORMATION THAT IS PROPRIETARY TO MOLEX INCORPORATED AND SHOULD NOT BE USED WITHOUT WRITTEN PERMISSION					

No. OF CCTS.	ENG. No.	PART No.	LOCKING RAMP	No. OF CCTS.	ENG. No.	PART No.	LOCKING RAMP	No. OF CCTS.	ENG. No.	PART No.	LOCKING RAMP	
2	3069-A02	09-26-0200	YES	2	3069-02	09-91-0200	YES	1	3069-18	09-91-1	YES	
	↑ -A022	↑ -27-0200	NO		↑ -022	↑ -92-0200	NO		↑ -182	↑ - -1	NO	
3	-A03	-26-0300	YES	3	-03	-91-0300	YES	1	-1	- 1-1	YES	
	-A032	-27-0300	NO		-032	-92-0300	NO		-1	- -1	NO	
4	-A04	-26-0400	YES	4	-04	-91-0400	YES	3069-	-	- 1-	YES	
	-A042	-27-0400	NO		-042	-92-0400	NO		09-	-	NO	
5	-A05	-26-0500	YES	5	-05	-91-0500	YES					
	-A052	-27-0500	NO		-052	-92-0500	NO					
6	-A06	-26-0600	YES	6	-06	-91-0600	YES					
	-A062	-27-0600	NO		-062	-92-0600	NO					
7	-A07	-26-0700	YES	7	-07	-91-0700	YES					
	-A072	-27-0700	NO		-072	-92-0700	NO					
8	-A08	-26-0800	YES	8	-08	-91-0800	YES					
	-A082	-27-0800	NO		-082	-92-0800	NO					
9	-A09	-26-0900	YES	9	-09	-91-0900	YES					
	-A092	-27-0900	NO		-092	-92-0900	NO					
10	-A10	-26-1000	YES	10	-10	-91-1000	YES					
	-A102	-27-1000	NO		-102	-92-1000	NO					
11	-A11	-26-1100	YES	11	-11	-91-1100	YES	No. OF CCTS.	ENG. No.	PART No.	LOCKING RAMP	VOID LOC'N
	-A112	-27-1100	NO		-112	-92-1100	NO		-	- -	1-	
12	-A12	-26-1200	YES	12	-12	-91-1200	YES		-	- -		
	-A122	-27-1200	NO		-122	-92-1200	NO		-	- -		
13	-A13	-26-1300	YES	13	-13	-91-1300	YES		-	- -		
	-A132	-27-1300	NO		-132	-92-1300	NO		-	- -		
14	-A14	-26-1400	YES	14	-14	-91-1400	YES		-	- - 11	1-	-
	-A142	-27-1400	NO		-142	-92-1400	NO		-	- -1	1-	-
15	-A15	-26-1500	YES	15	-1	- 1-1	YES					
	-A152	-27-1500	NO		-1	- -1	NO					
16	-A16	-26-1600	YES	16	-16	-91-1600	YES					
	-A162	-27-1600	NO		-162	-92-1600	NO					
17	-A17	-26-1700	YES	17	↓ -17	↓ -91-1700	YES					
	-A172	-27-1700	NO		-1	09-92-1700	NO					
18	-A18	-26-1800	YES									
	-A182	-27-1800	NO									
19	-A19	-26-1900	YES									
	-A192	-27-1900	NO									
20	↓ -A20	↓ -26-2000	YES									
	3069-A202	09-27-2000	NO									

OBSOLETE 21-24 CKT

0
0

SEE CHART