

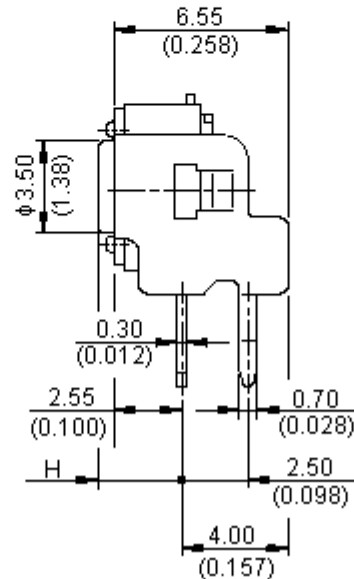
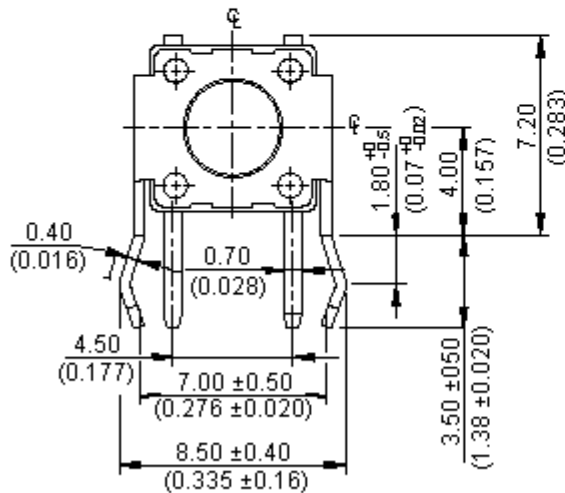
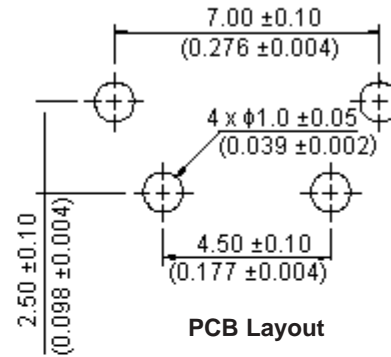
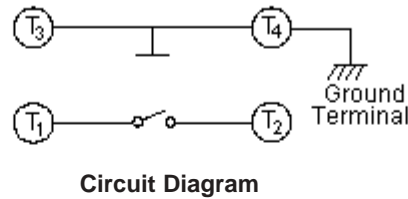
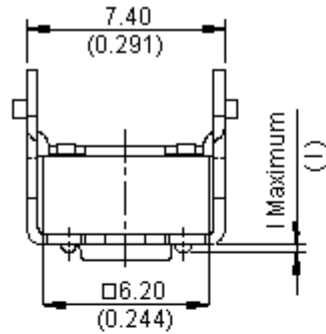


PART NO.

MCDTSA6-2R

REVISIONS

ECN #	REV	DESCRIPTION	DRAWN	DATE	CHECKD	DATE	APPRVD	DATE
-	A	RELEASED	Kiran	130/4/09	Veena	130/4/09	Farnell	27/04/09



Dimensions : Millimetres (Inches)

This data sheet and its contents (the "Information") belong to the Premier Farnell Group (the "Group") or are licensed to it. No licence is granted for the use of it other than for information purposes in connection with the products to which it relates. No licence of any intellectual property rights is granted. The Information is subject to change without notice and replaces all data sheets previously supplied. The Information supplied is believed to be accurate but the Group assumes no responsibility for its accuracy or completeness, any error in or omission from it or for any use made of it. Users of this data sheet should check for themselves the Information and the suitability of the products for their purpose and not make any assumptions based on information included or omitted. Liability for loss or damage resulting from any reliance on the Information or use of it (including liability resulting from negligence or where the Group was aware of the possibility of such loss or damage arising) is excluded. This will not operate to limit or restrict the Group's liability for death or personal injury resulting from its negligence. SPC MULTICOMP is the registered trademark of the Group. © Premier Farnell plc 2009.

TOLERANCES:
UNLESS OTHERWISE SPECIFIED, DIMENSIONS ARE FOR REFERENCE PURPOSES ONLY.

DRAWN BY:	DATE:
Kiran	13/04/09
CHECKED BY:	DATE:
Veena	13/04/09
APPROVED BY:	DATE:
Farnell	27/04/09

DRAWING TITLE:			
HDS Series			
SIZE	DWG NO.	ELECTRONIC FILE	REV
A	M10002108	78076_DWG	A
SCALE: NTS		U.O.M.: mm (Inches)	SHEET: 1 OF 3



PART NO.

MCDTSA6-2R

REVISIONS

ECN #	REV	DESCRIPTION	DRAWN	DATE	CHECKD	DATE	APPRVD	DATE
-	A	RELEASED	Kiran	130/4/09	Veena	130/4/09	Farnell	27/04/09

Specifications:

Mechanical

Operating force : 260 ±50gf red (R).
 Maximum stop strength : 3kgf vertical static load continuously for 15 seconds.
 Stroke : 0.25 + 0.2mm/ -0.1mm (6 x 6).
 Operating temperature : -25°C to +70°C.
 Storage temperature : -30° to +80°C.

Electrical

Electrical life : 500,000 cycles for 260gf (6 x 6).
 Rating : 50mA, 12V dc.
 Maximum contact resistance : 100MΩ.
 Minimum insulation resistance : 100MΩ at 500V dc.
 Dielectric strength : 250V ac/minute.
 Maximum capacitance : 5pF.
 Contact arrangement : SPST.

Materials

Cover : Steel, tin plated.
 Base : Nylon thermoplastic.
 Base colour : Black.
 Stem : Nylon thermoplastic.
 Stem colour : Red (260gf).
 Contact disc : Phosphor bronze with silver cladding (standard)
 Stainless steel (v-option).
 Terminal : Brass with silver plated.

This data sheet and its contents (the "Information") belong to the Premier Farnell Group (the "Group") or are licensed to it. No licence is granted for the use of it other than for information purposes in connection with the products to which it relates. No licence of any intellectual property rights is granted. The Information is subject to change without notice and replaces all data sheets previously supplied. The Information supplied is believed to be accurate but the Group assumes no responsibility for its accuracy or completeness, any error in or omission from it or for any use made of it. Users of this data sheet should check for themselves the Information and the suitability of the products for their purpose and not make any assumptions based on information included or omitted. Liability for loss or damage resulting from any reliance on the Information or use of it (including liability resulting from negligence or where the Group was aware of the possibility of such loss or damage arising) is excluded. This will not operate to limit or restrict the Group's liability for death or personal injury resulting from its negligence. SPC MULTICOMP is the registered trademark of the Group. © Premier Farnell plc 2009.

**TOLERANCES:
 UNLESS OTHERWISE
 SPECIFIED,
 DIMENSIONS ARE
 FOR REFERENCE
 PURPOSES ONLY.**

DRAWN BY:	DATE:
Kiran	13/04/09
CHECKED BY:	DATE:
Veena	13/04/09
APPROVED BY:	DATE:
Farnell	27/04/09

DRAWING TITLE:			
HDS Series			
SIZE	DWG NO.	ELECTRONIC FILE	REV
A	M10002108	78076_DWG	A
SCALE: NTS	U.O.M.: mm (Inches)	SHEET: 2 OF 3	



PART NO.

MCDTSA6-2R

REVISIONS

ECN #	REV	DESCRIPTION	DRAWN	DATE	CHECKD	DATE	APPRVD	DATE
-	A	RELEASED	Kiran	13/04/09	Veena	13/04/09	Farnell	27/04/09

Soldering Process:

Wave soldering : Recommended solder temperature at 500°F (260°C) maximum 5 seconds subject to PCB 1.6mm thickness (for through hole type).

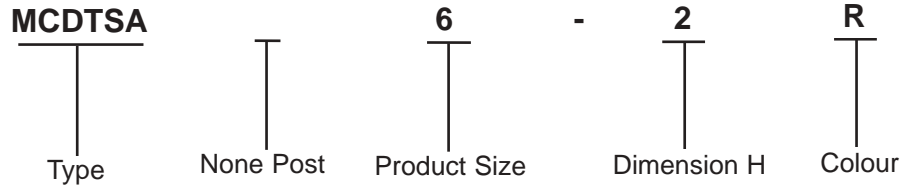
Hand soldering : Use a soldering iron of 30 watts, controlled at 350°C approximately 5 seconds while applying solder.

Specification Table

Description	I (Maximum)	H	Part Number
Tactile Switch, R/A, 3.85mm 260G	0.4 (0.016)	3.85 (0.152)	MCDTSA6-2R

Dimensions : Millimetres (Inches)

Part Number Explanation:



- Type** : MCDTSA = Right Angle Type Tactile Switch.
- Product size** : 6 = 6 x 6mm.
- Dimension H** : 2 = 3.85mm.
- Colour** : Red, 260gf.

<http://www.farnell.com>
<http://www.newark.com>
<http://www.cpc.co.uk>

This data sheet and its contents (the "Information") belong to the Premier Farnell Group (the "Group") or are licensed to it. No licence is granted for the use of it other than for information purposes in connection with the products to which it relates. No licence of any intellectual property rights is granted. The Information is subject to change without notice and replaces all data sheets previously supplied. The Information supplied is believed to be accurate but the Group assumes no responsibility for its accuracy or completeness, any error in or omission from it or for any use made of it. Users of this data sheet should check for themselves the Information and the suitability of the products for their purpose and not make any assumptions based on information included or omitted. Liability for loss or damage resulting from any reliance on the Information or use of it (including liability resulting from negligence or where the Group was aware of the possibility of such loss or damage arising) is excluded. This will not operate to limit or restrict the Group's liability for death or personal injury resulting from its negligence. SPC MULTICOMP is the registered trademark of the Group. © Premier Farnell plc 2009.

TOLERANCES: UNLESS OTHERWISE SPECIFIED, DIMENSIONS ARE FOR REFERENCE PURPOSES ONLY.	DRAWN BY:	DATE:	DRAWING TITLE: HDS Series			
	Kiran	13/04/09				
	CHECKED BY:	DATE:	SIZE A	DWG NO. M10002108	ELECTRONIC FILE 78076_DWG	REV A
	Veena	13/04/09				
	APPROVED BY:	DATE:	SCALE: NTS		U.O.M.: mm (Inches)	
Farnell	27/04/09	SHEET: 3 OF 3				