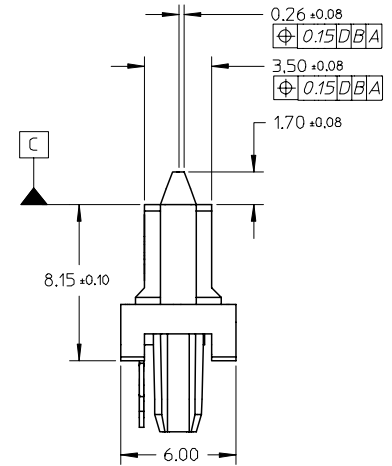


- NOTES:
- MATERIAL: HIGH TEMPERATURE THERMOPLASTIC, UL 94V-0, COLOR: BLACK
TERMINAL: COPPER ALLOY
 - PLATING
CONTACT: 0.76µm MIN. SELECTIVE GOLD OVER 1.27µm MIN. NICKEL UNDERPLATE
SOLDERTAIL: 2.54µm MIN. TIN/LEAD OR TIN OVER 1.27µm MIN. NICKEL UNDERPLATE
 - MOLEX LOGO LOCATED APPROXIMATELY AS SHOWN
 - MAXIMUM WARPAGE OF 0.13 mm OVER THE LENGTH OF THE CONNECTOR IN ANY DIRECTION BEFORE AND AFTER EXPOSURE TO MAX. 260°C FOR 10 SECONDS
 - PCB THICKNESS RANGE FROM 1.50 mm TO 2.00 mm
 - KEEP OUT ZONE ON BOTH SIDE OF PCB FOR CONNECTOR INSERTION AND EXTRACTION TOOL
 - PRODUCT SPECIFICATION: PS-87701-033 APPLIES
 - PACKAGING
30 CONNECTORS PER TRAY



PART NO.	PLATING OPTION
87701-0001	TIN/LEAD
87701-1001	TIN

THE DESIGN IS BASED ON DESIGN OBJECTIVES AND IS STRICTLY TENTATIVE. IT MAY CHANGE BASED ON RESULTS OF ADDITIONAL DESIGN REVIEWS & VERIFICATIONS

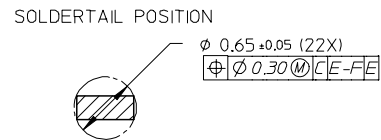
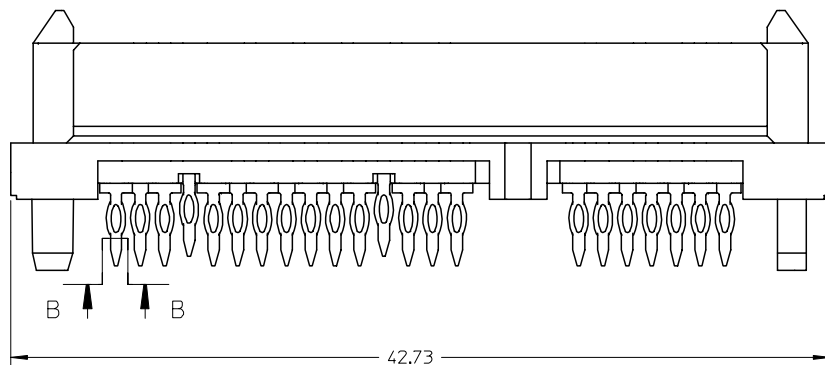
tb_frame_B
rev. B1 2000/08/01

ADD ASSY P/N FOR LF	DESCRIPTION
EC NO: S2005-0135	DRWN:DKOH 2004/08/24
CHKD:BHLOW 2004/08/24	APPR:SKTOH 2004/08/24
REV	

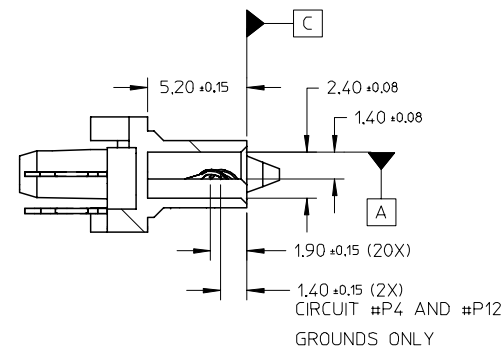
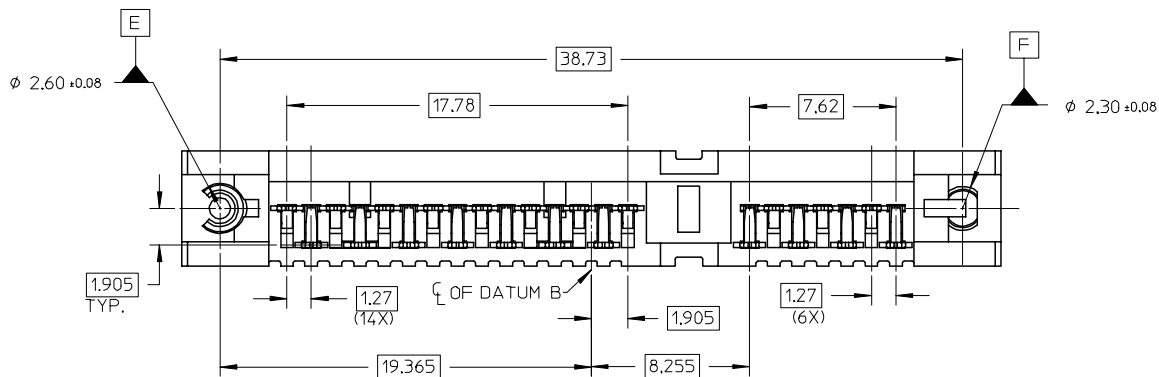
QUALITY SYMBOLS	GENERAL TOLERANCES (UNLESS SPECIFIED)	
	mm	INCH
▽ = 0	4 PLACES ± ---	± ---
	3 PLACES ± ---	± ---
	2 PLACES ± 0.20	± ---
	1 PLACE ± ---	± ---
▽ = 0	ANGULAR ± 3 °	
	DRAFT WHERE APPLICABLE	
	MUST REMAIN WITHIN DIMENSIONS	

SCALE	DESIGN UNITS
NTS	METRIC
DIMENSION STYLE	
MM ONLY	
DRAWN BY	DATE
DKOH	2002/07/01
CHECKED BY	DATE
KLING	2002/07/05
APPROVED BY	DATE
SKTOH	2002/07/05

THIRD ANGLE PROJECTION	REVISE ON CAD ONLY
TITLE	
SERIAL ATA BACKPLANE PRESS-FIT STD HEIGHT RECEPTACLE	
MOLEX INCORPORATED	
MATERIAL NO.	DOCUMENT NO.
SEE TABLE	SD-87701-013
SHEET NO.	1 OF 4
THIS DRAWING CONTAINS INFORMATION THAT IS PROPRIETARY TO MOLEX INCORPORATED AND SHOULD NOT BE USED WITHOUT WRITTEN PERMISSION	

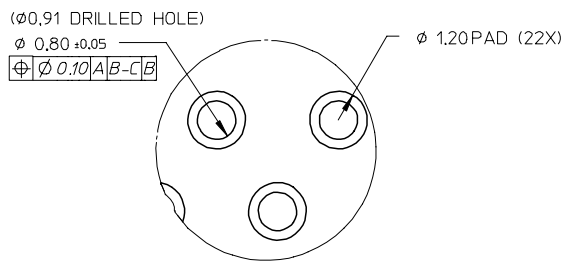
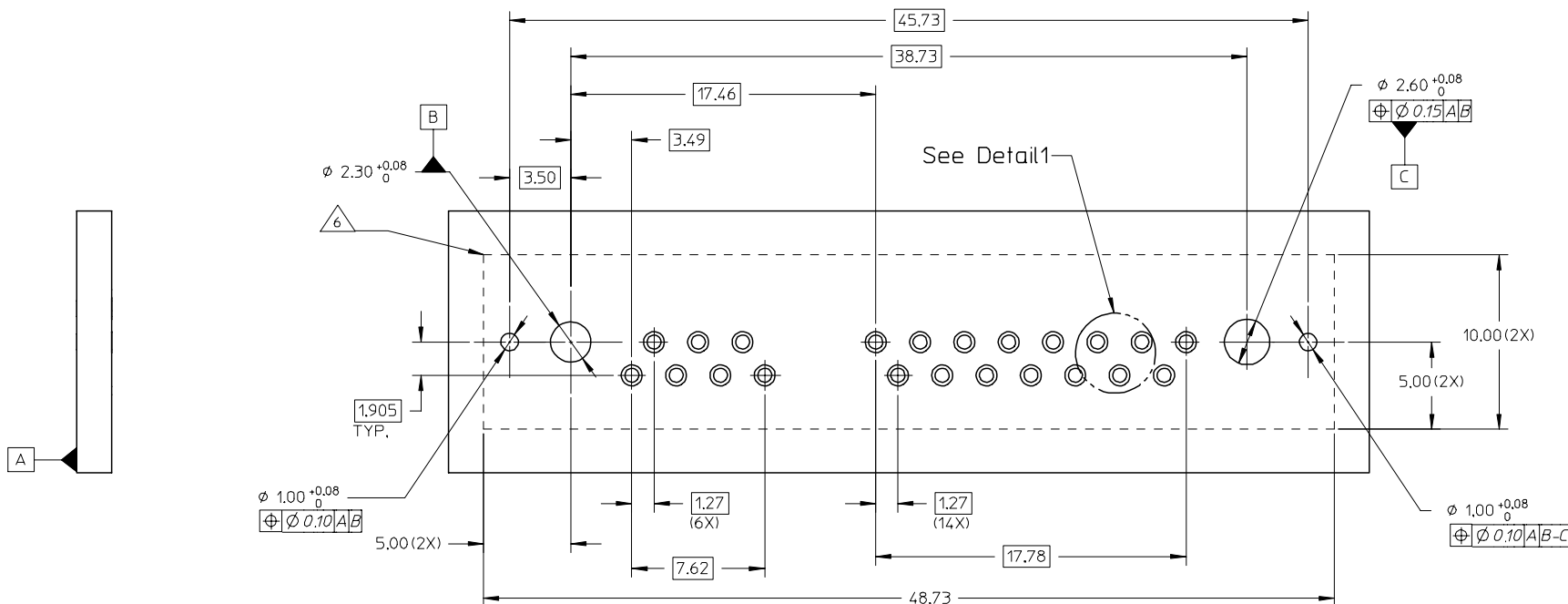


SECTION B-B

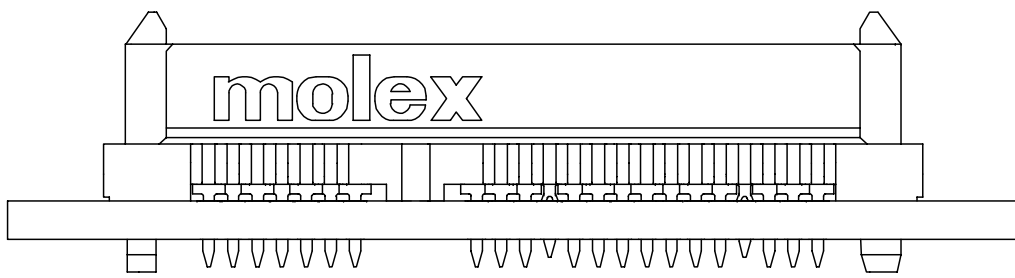


SECTION A-A

ADD ASSY P/N FOR LF EC NO: S2005-0135 DRWN:DKOH 2004/08/24 CHKD:BLOW 2004/08/24 APPR:SKTOH 2004/08/24	QUALITY SYMBOLS ▽ = 0 ▽ = 0	GENERAL TOLERANCES (UNLESS SPECIFIED)		SCALE NTS	DESIGN UNITS METRIC	THIRD ANGLE PROJECTION	REVISE ON CAD ONLY		
			mm	INCH	DIMENSION STYLE MM ONLY		TITLE		
		4 PLACES ± --- ± ---	3 PLACES ± --- ± ---	2 PLACES ± 0.20 ± ---	1 PLACE ± --- ± ---	DRAWN BY DKOH	DATE 2002/07/01	SERIAL ATA BACKPLANE PRESS-FIT STD HEIGHT RECEPTACLE MOLEX INCORPORATED	
		ANGULAR ± 3 °				CHECKED BY KCLING	DATE 2002/07/05		
B	REV	DRAFT WHERE APPLICABLE MUST REMAIN WITHIN DIMENSIONS		APPROVED BY SKTOH	DATE 2002/07/05	MATERIAL NO. SEE TABLE	DOCUMENT NO. SD-87701-013	SHEET NO. 2 OF 4	

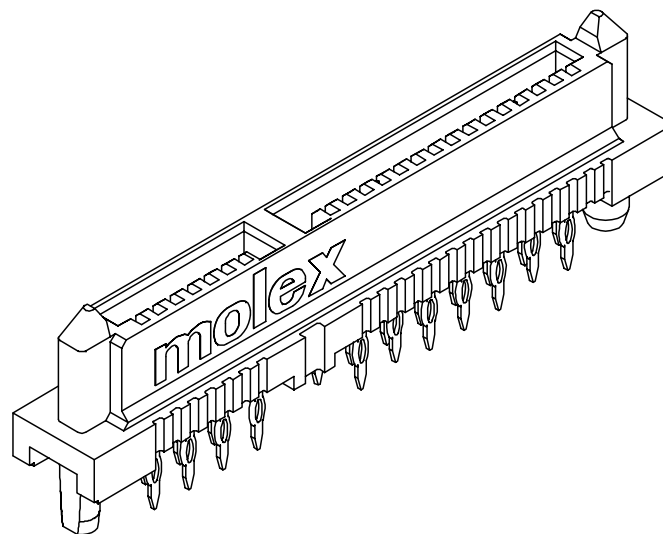
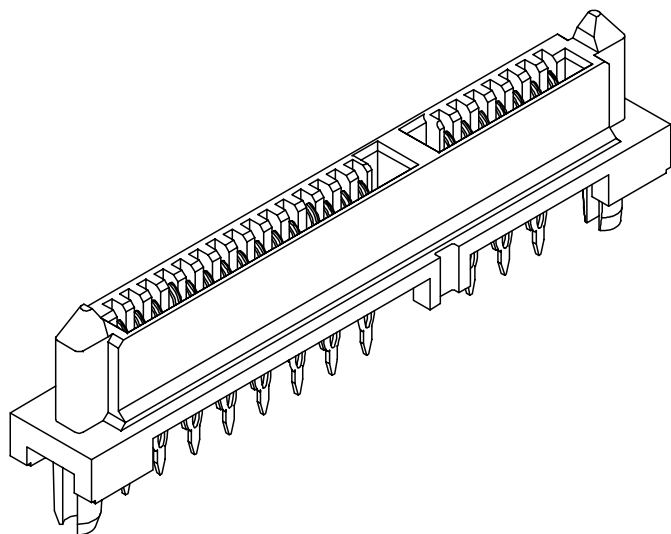


Detail1
SCALE 10:1



RECOMMENDED PCB LAYOUT

ADD ASSY P/N FOR LF EC NO: S2005-0135 DRWN:DKOH 2004/08/24 CHKD:BLOW 2004/08/24 APPR:SKTOH 2004/08/24	QUALITY SYMBOLS ▽ = 0 ▽ = 0	GENERAL TOLERANCES (UNLESS SPECIFIED)		SCALE NTS	DESIGN UNITS METRIC	THIRD ANGLE PROJECTION	REVISE ON CAD ONLY		
		4 PLACES ± --- ± --- 3 PLACES ± --- ± --- 2 PLACES ± 0.20 ± --- 1 PLACE ± --- ± ---	DIMENSION STYLE MM ONLY	TITLE SERIAL ATA BACKPLANE PRESS-FIT STD HEIGHT RECEPTACLE					
		ANGULAR ± 3 °	DRAWN BY DKOH	DATE 2002/07/01	CHECKED BY KCLING	DATE 2002/07/05	MATERIAL NO. SEE TABLE	DOCUMENT NO. SD-87701-013	SHEET NO. 3 OF 4
		DRAFT WHERE APPLICABLE MUST REMAIN WITHIN DIMENSIONS	APPROVED BY SKTOH	DATE 2002/07/05	THIS DRAWING CONTAINS INFORMATION THAT IS PROPRIETARY TO MOLEX INCORPORATED AND SHOULD NOT BE USED WITHOUT WRITTEN PERMISSION				



ADD ASSY P/N FOR LF EC NO: S2005-0135 DRWN:DKOH 2004/08/24 CHKD:BLOW 2004/08/24 APPR:SKTOH 2004/08/24	DESCRIPTION REV	QUALITY SYMBOLS	GENERAL TOLERANCES (UNLESS SPECIFIED)		SCALE	DESIGN UNITS	THIRD ANGLE PROJECTION	REVISE ON CAD ONLY	
		▼ = 0	mm	INCH	NTS	METRIC	DIMENSION STYLE		
		∇ = 0	4 PLACES ± --- ± ---	3 PLACES ± --- ± ---	MM ONLY	TITLE			SERIAL ATA BACKPLANE PRESS-FIT STD HEIGHT RECEPTACLE
			2 PLACES ± 0.20 ± ---	1 PLACE ± --- ± ---	DRAWN BY DATE DKOH 2002/07/01	MATERIAL NO. DOCUMENT NO. SHEET NO. SEE TABLE SD-87701-013 4 OF 4			
	ANGULAR ± 3 °	DRAFT WHERE APPLICABLE		CHECKED BY DATE KCLING 2002/07/05	MATERIAL NO. DOCUMENT NO. SHEET NO. SEE TABLE SD-87701-013 4 OF 4				
	MUST REMAIN WITHIN DIMENSIONS			APPROVED BY DATE SKTOH 2002/07/05	THIS DRAWING CONTAINS INFORMATION THAT IS PROPRIETARY TO MOLEX INCORPORATED AND SHOULD NOT BE USED WITHOUT WRITTEN PERMISSION				