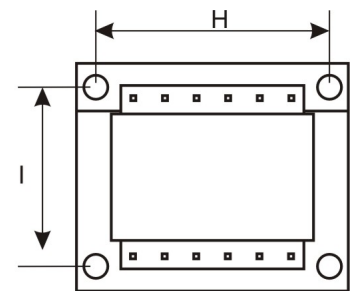
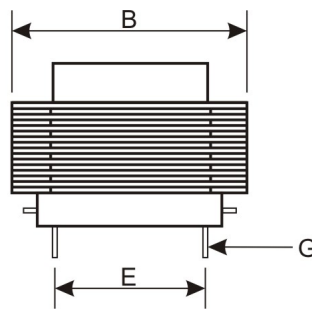
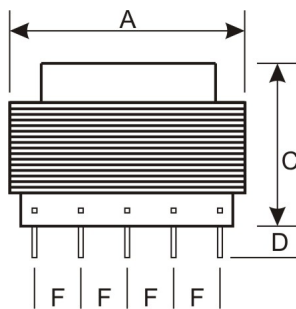


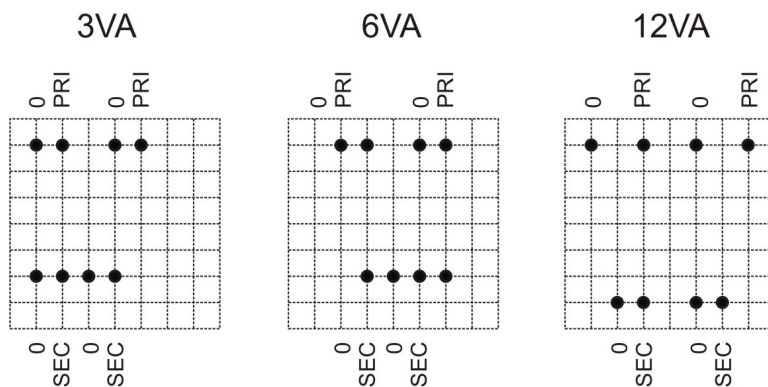


Features:

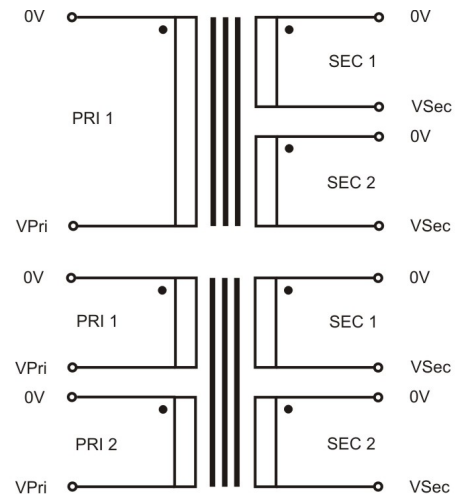
- High Quality PCB Transformer
- Single Primary/Secondary windings
- Power: 3 ~ 12 VA 50/60Hz
- Temperature Class: - Class B (130°C)
- Dielectric Strength: 3750Vrms
- Manufactured and tested in accordance to EN61558, EN60950, CE



Unused Pins will be omitted from standard parts.



5mm Grid Pin View



Windings can be connected in Parallel or Series

VA Rating	Dimension (mm)									Weight (g)
	A	B	C	D	E	F	G	H	I	
3	38	32	30	4	25	5	Sq 0.7			140
6	43	36	32	4	25	5	Sq 0.7			180
12	54	45	39	4	30	5	Sq 0.7	45	36	340
Tolerance	+/-0.5	+/-0.5	+/-0.5	+/-1.0	+/-0.5	+/-0.2	+/-0.1			approx

Products can be altered to suite custom requirements. Please contact Vigortronix for your specific requirements.
The information contained in this document is subject to change without notice.

Twin Secondaries					
VA Rating	Part No	Input Voltage (Vac)	Output Voltage (Vac)	Output Current (mA)	Regulation (%)
3	VTX-120-3803-206	230	2 x 6	250	20
3	VTX-120-3803-209	230	2 x 9	166	20
3	VTX-120-3803-212	230	2 x 12	125	20
3	VTX-120-3803-215	230	2 x 15	100	20
3	VTX-120-3803-218	230	2 x 18	83	20
3	VTX-120-3803-220	230	2 x 20	75	20
3	VTX-120-3803-224	230	2 x 24	63	20
6	VTX-120-4206-206	230	2 x 6	500	25
6	VTX-120-4206-209	230	2 x 9	333	25
6	VTX-120-4206-212	230	2 x 12	250	25
6	VTX-120-4206-215	230	2 x 15	200	25
6	VTX-120-4206-218	230	2 x 18	166	25
6	VTX-120-4206-220	230	2 x 20	150	25
6	VTX-120-4206-224	230	2 x 24	125	25
12	VTX-120-5412-206	230	2 x 6	1000	12
12	VTX-120-5412-209	230	2 x 9	666	12
12	VTX-120-5412-212	230	2 x 12	500	12
12	VTX-120-5412-215	230	2 x 15	400	12
12	VTX-120-5412-218	230	2 x 18	333	12
12	VTX-120-5412-220	230	2 x 20	300	12
12	VTX-120-5412-224	230	2 x 24	250	12
3	VTX-120-3803-406	2 x 115	2 x 6	250	20
3	VTX-120-3803-409	2 x 115	2 x 9	166	20
3	VTX-120-3803-412	2 x 115	2 x 12	125	20
3	VTX-120-3803-415	2 x 115	2 x 15	100	20
3	VTX-120-3803-418	2 x 115	2 x 18	83	20
3	VTX-120-3803-420	2 x 115	2 x 20	75	20
3	VTX-120-3803-424	2 x 115	2 x 24	63	20
6	VTX-120-4206-406	2 x 115	2 x 6	500	25
6	VTX-120-4206-409	2 x 115	2 x 9	333	25
6	VTX-120-4206-412	2 x 115	2 x 12	250	25
6	VTX-120-4206-415	2 x 115	2 x 15	200	25
6	VTX-120-4206-418	2 x 115	2 x 18	166	25
6	VTX-120-4206-420	2 x 115	2 x 20	150	25
6	VTX-120-4206-424	2 x 115	2 x 24	125	25
12	VTX-120-5412-406	2 x 115	2 x 6	1000	12
12	VTX-120-5412-409	2 x 115	2 x 9	666	12
12	VTX-120-5412-412	2 x 115	2 x 12	500	12
12	VTX-120-5412-415	2 x 115	2 x 15	400	12
12	VTX-120-5412-418	2 x 115	2 x 18	333	12
12	VTX-120-5412-420	2 x 115	2 x 20	300	12
12	VTX-120-5412-424	2 x 115	2 x 24	250	12