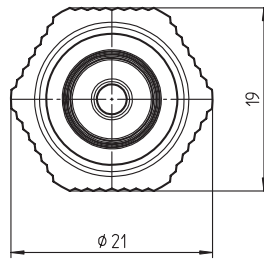
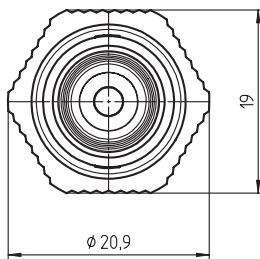
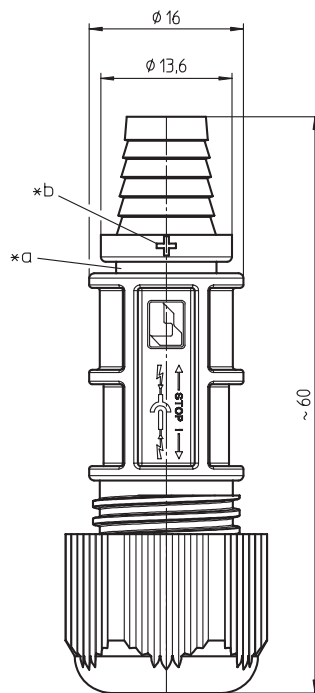
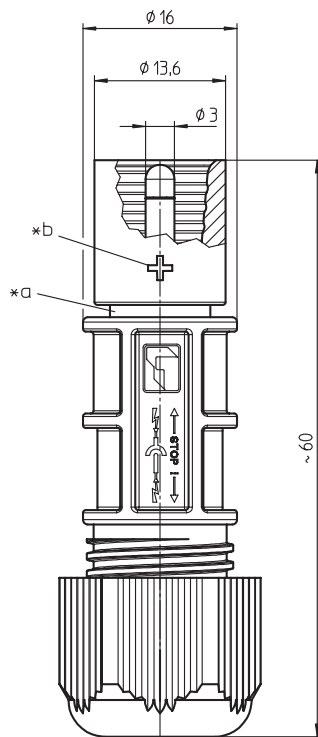




LC3-CP 30



LC3-CP 31



LC3-CP 30 (4730)
LC3-CP 31 (4731)

Photovoltaic connector, field-attachable, with crimp contact
LC3-CP 30: plug
LC3-CP 31: socket

1. **Temperature range** -40 °C/+85 °C
(+110 °C upper limit temperature)

2. **Materials**
Body/housing TPU, V0 according to UL 94
halogen-free, UV-resistant
Contact pin/bush CuZn, pre-nickeled and tinned
Contact protection (plugs only) PA 6.6, V0 according to UL 94
Sleeve (sockets only) CuZn, nickeled
Cap nut PA 6, V0 according to UL 94
Seal NBR

3. **Mechanical data**
Insertion force¹ ≤ 60 N
Withdrawal force¹ ≥ 65 N
Mating with photovoltaic connectors LC3
Protection degree² IP 67

Connectable conductors crimp terminal
Section LC3-CP ... 2.5 2.5 mm² (AWG 14)
Section LC3-CP ... 4.0 4.0 mm² (AWG 12)
Section LC3-CP ... 6.0 6.0 mm² (AWG 10)

4. **Electrical data (at T_{amb} 20 °C)**
Contact resistance ≤ 5.0 mΩ
Rated current LC3-CP ... 2.5 22 A at T_{amb} 85 °C
Rated current LC3-CP ... 4.0 35 A at T_{amb} 85 °C
Rated current LC3-CP ... 6.0 40 A at T_{amb} 85 °C
Rated voltage³ 1000 V DC
Overvoltage category³ III (8 kV)
Material group³ I (CTI ≥ 600)
Creepage distance ≥ 12.5 mm
Clearance ≥ 12.5 mm
Insulation resistance > 10 GΩ

¹ measured with a proper counterpart

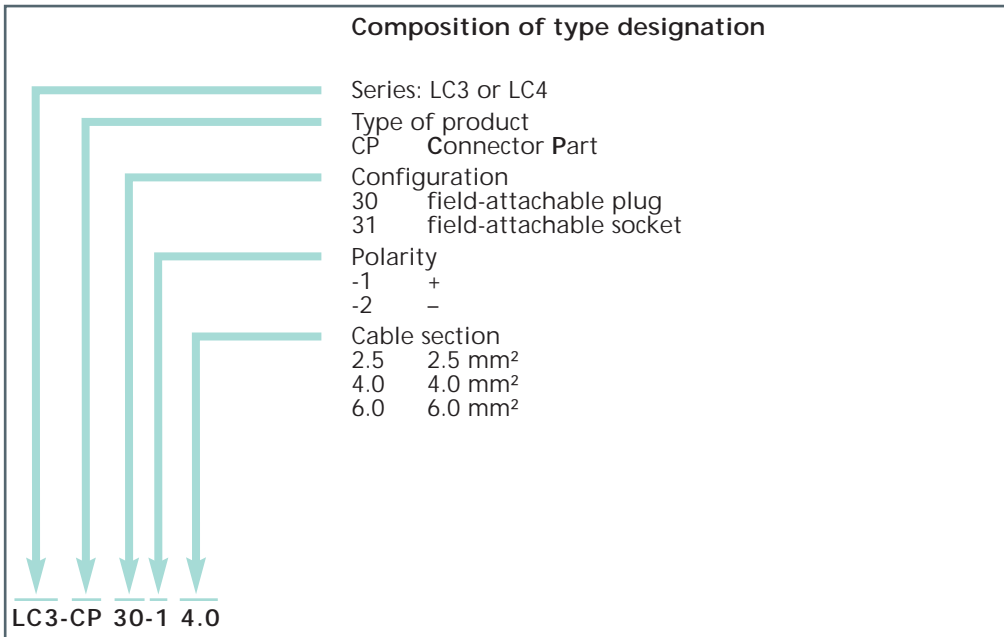
² 1 m/24 h, only in mated condition with a proper counterpart

³ IP X8 requirements under agreement between manufacturer and user according to DIN EN 60664/IEC 60664



*a recess for optional unmating preventer LC3-CX 90 according to NEC 2008 NFPA 70

*b marking + on LC3-CP ...-1, - bei LC3-CP ...-2



Features and benefits

- can be assembled anywhere on-site
- convenient for smaller installations
- complements the wiring concept with pre-assembled, overmolded connectors, like for feeding lines
- quick and easy assembly
- only one tool necessary for stripping and crimping
- easily exchangeable tool insert for different sections
- rugged and durable for permanently reliable system operation
- with contact-voltage protection
- optional locking according to NEC 2008 NFPA 70
- highest protection degree IP 68
- UV and ozone-resistant
- halogen-free

LC3®

Typical examples

Designation	Description	Polarity	Section (mm ²)
LC3-CP 30-1 2.5	field-attachable plug	+	2.5
LC3-CP 30-2 4.0	field-attachable plug	-	4.0
LC3-CP 30-1 6.0	field-attachable plug	+	6.0
LC3-CP 31-2 4.0	field-attachable socket	-	4.0

Package unit: 50 pieces in a cardboard box