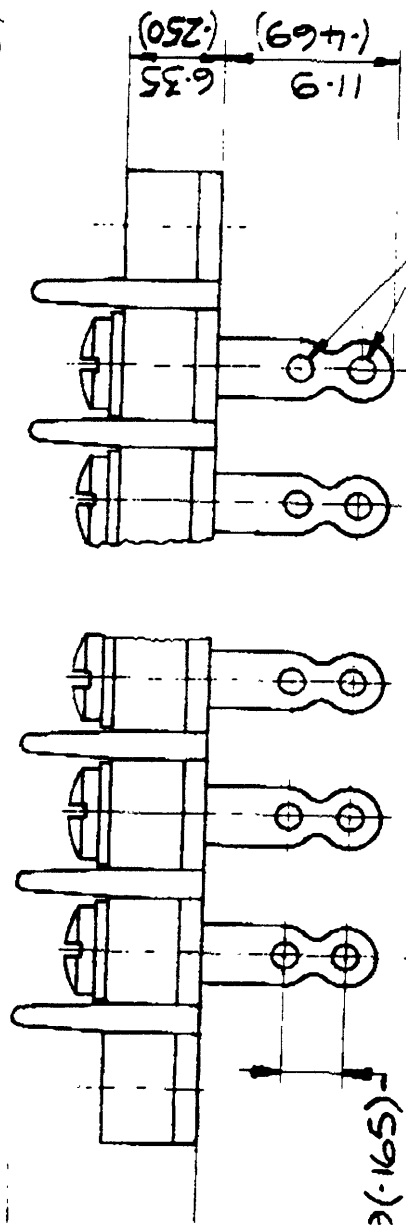


105-343 TC 105-375



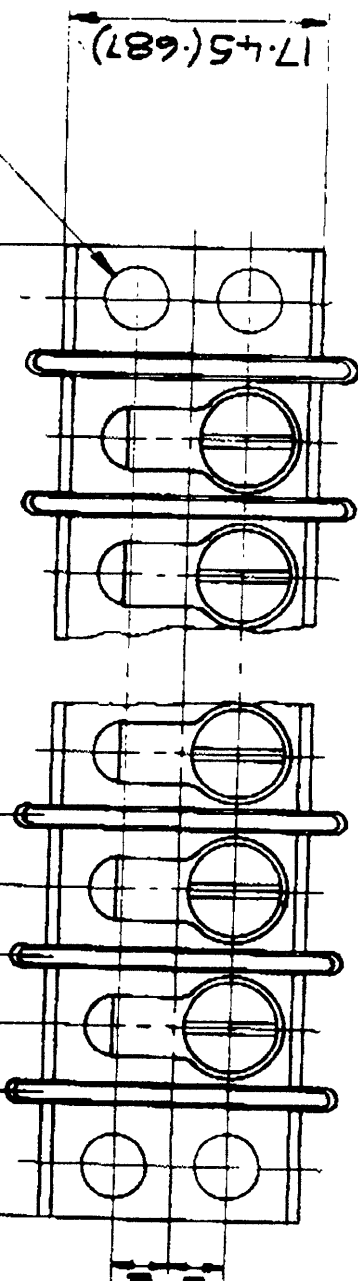
Φ 1.98 (.078) HOLES

DIM 'X' ± 0.4 (0.16)

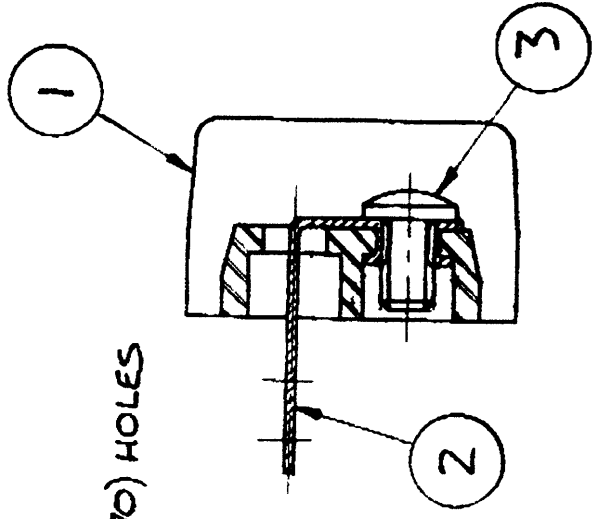
9.52 (.375) PITCH

3.96 (.156)

Φ 4.32 (.170) HOLES



17.45 (.687)



PART NOS. ETC. SEE SHEET 2

ISSUE	DATE	FX.	TITLE
1	14-10-74		BARRIER STRIP ASSEMBLY 12 WAY MAX.
2	23-6-76		
3	19-8-77		
4	6-6-81	RIZ	

3 03 000 CCO SCREW	3 BRASS	NICKEL PLATE	SEE SHEET 2
15/11/1999	16:53	01462-811536	THERMADATA

THIS DRAWING IS COPYRIGHT AND IS ISSUED ON CONDITION NOT COPIED, REPRODUCED OR DISCLOSED TO A THIRD PARTY WITHOUT THE CONSENT IN WRITING OF EASTERN COMPANY LIMITED. THIS DRAWING IS DRAWN TO THE FACT THAT THE ARTICLES SHOWN ARE AVAILABLE.