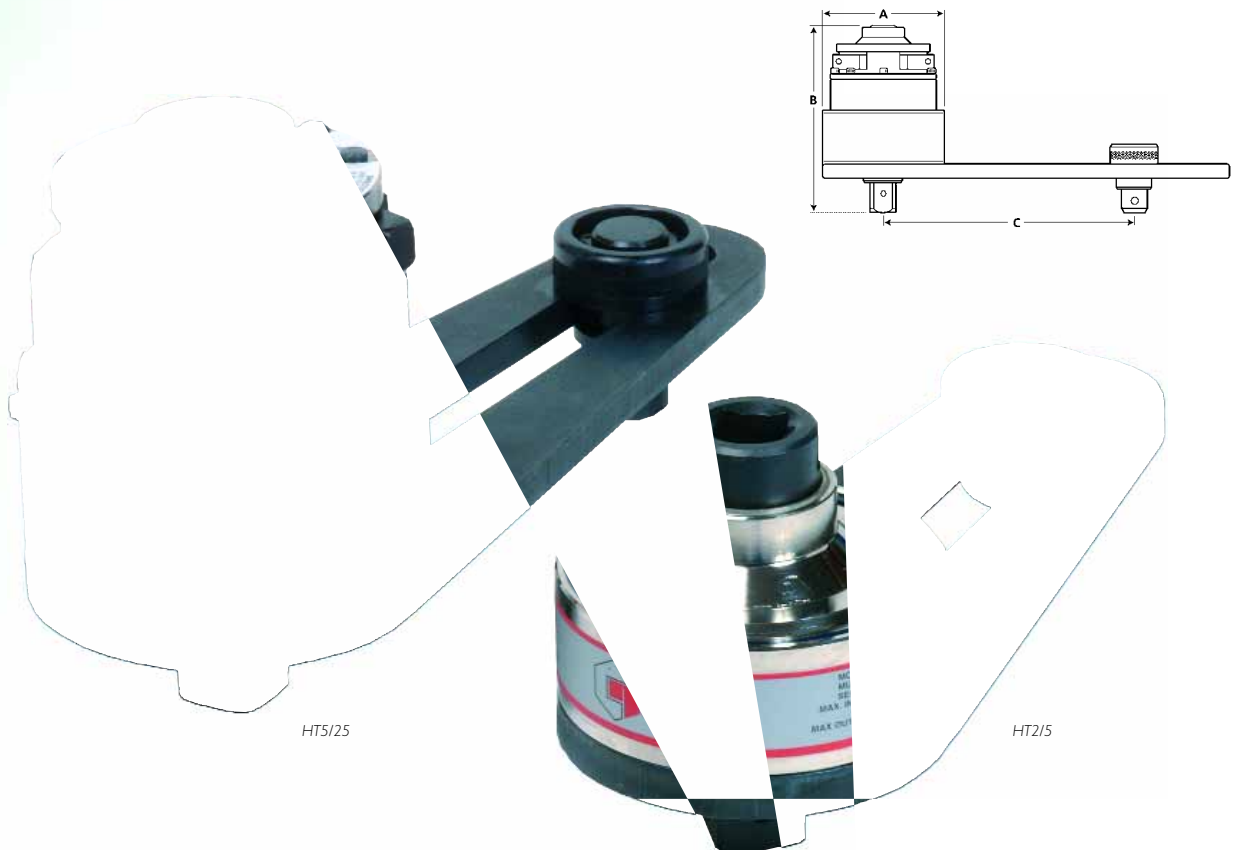




Handtorque™ Standard Series Models to 3400 N.m

- True torque multiplication guaranteed better than $\pm 4\%$.
- High ratios allow the use of a small torque wrench, multipliers can be used where access is limited.
- Anti Wind-Up Ratchet available on models of 25:1 ratio.
- Other reaction styles can be designed to suit specific applications.
- Electronic torque transducers can be fitted for precise torque monitoring. See page 81.



Standard Series to 3400 N.m

Model	Part No.	Range		Ratio	Input Square	Output Square	A	B	C min	C max	Tool Weight	Reaction Weight
		N.m	lbf.ft		in	in						
1	16010	1700	1250	5:1	½	¾	108	106	83	217	3	2.2
2/5	16012	1700	1250	5:1	¾	1	108	126	83	217	3	2.2
2/25 Fitted with AWUR	16089	1700	1250	25:1	½	1	108	156	83	217	5.6	2.2
5/5	16014	3400	2500	5:1	¾	1	119	143	86	264	4.7	2.5
5/25 Fitted with AWUR	16090	3400	2500	25:1	½	1	119	187	86	264	7.5	2.5
6/5	16016	3400	2500	5:1	¾	1½	119	149	86	264	4.7	2.5
6/25 Fitted with AWUR	16092	3400	2500	25:1	½	1½	119	195	86	264	7.5	2.5

