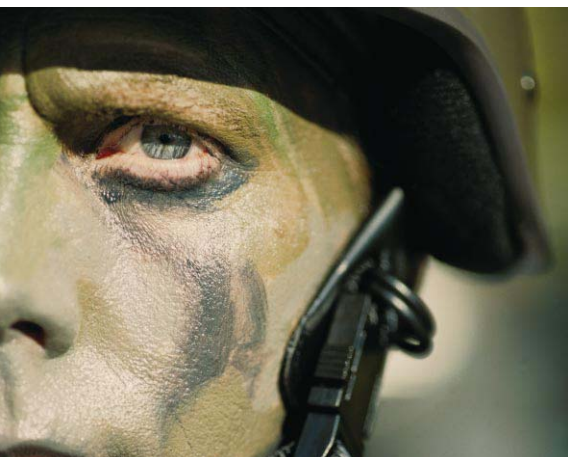




**HARSH  
ENVIRONMENT  
CONNECTORS  
F SERIES**



## SUMMARY

LEMO F Series ruggedised connectors are being increasingly designed into defence and aerospace applications as well as extending their usage within the demanding motorsport markets for which they were originally developed. Electronics and their enclosures continue to shrink dramatically in size and it is often the external connectors that are the primary limiting factor in further size reductions, particularly with MIL spec connectors that were developed many decades ago. Changes in connector style are necessary if customers wish to continue to miniaturise their equipment, whilst still seeking the reliability and performance of the larger MIL connectors. LEMO F Series connectors have been specially developed to meet the requirements that these market changes have been demanding.

The LEMO F Series offers customers considerable opportunities for space and weight reduction in comparison to MIL connectors and their derivatives. For example, the panel mount receptacle (HE model) offers approximately 10mm shorter distance from panel to pcb, with corresponding significant savings in enclosure volume and weight.

The push-pull system requires significantly less space in comparison to bayonet or screw coupled connectors, both of which require finger space to turn the outer locking devices. By contrast the push-pull system only needs to be clasped either side of the connector, and consequently a much higher packing density of connectors is feasible. Again this can result in the reduction of either height or width of enclosures and therefore in volume and weight of equipment.

## FULL EMC SCREENING THROUGH THE HOUSING – NO GROUNDING PIN NEEDED

It is common practice with MIL connectors to have to have a grounding pin and where EMC is of concern a backshell is also required. This problem is attended to within the F Series through the provision of an earthing crown arrangement between the plug and receptacle, which as well as providing full 360° screening, acts as another contact – therefore reducing the number of contacts required. Screening continuity from the cable to the connector is achieved by metal tie-wrap system clamping the screen onto a specially designed location around the rear of the connector.

## QUICK AND SECURE CONNECTIONS

The push-pull system is quick and easy to connect or disconnect, and yet it provides a highly secure connection when mated as proven in thousands of applications over many years. Pulling on the cable will not release the connector, but a simple pull on the latching sleeve withdraws the latches and releases the connectors.

The latching system is suited for environments of high vibration and shock as demonstrated by the use of these connectors in motorsport applications. Additionally the latching system and contacts are highly reliable being designed for up to 500 mating cycles and more.

Blind mating of these connectors is assisted by the provision of multiple keying, whilst different options of these means that cross-mating can be avoided in critical applications. Colour coding of the different key options is provided to assist with connector identification.

## SNATCH RELEASE OPTION AVAILABLE

Where required, a modified version of the latching system provides a secure system, but which can be released by a pre-determined pulling force on the cable.

## ENVIRONMENTAL SEALING TO IP67/68

A sealing system both at the connector interface provides protection and watertightness to IP67 rating when mated. A special sealing gland is also provided at the rear of the connector to provide individual wire sealing. Panel receptacles are available in potted versions to provide sealing of the enclosure to IP68 unmated.

## HIGH VIBRATION AND SHOCK RESISTANCE

LEMO connectors have excellent resistance to vibration and shock due to the fully floating contact design and the latching system, as well as due to their light weight. For applications involving particularly high levels of impact, the “Y” version is recommended, meeting the requirements of the MIL 810E gunfire test.

## MODULAR CONSTRUCTION USING COTS COMPONENTS GIVES WIDE CHOICE.

LEMO connectors are of modular design, with a very wide range of components available. In-line plugs and receptacles, 2-hole flange receptacles and panel mounted receptacles of various configurations are all available.

Whilst a standard range of connectors are demonstrated in this catalogue, it is easy to customise or use these components in other ways to provide many other options as required.

## MULTIPOLE, FIBRE OPTIC AND HYBRID CONTACT CONFIGURATIONS

Multipole contact configurations from 2 to 66 contacts are available, with exceptionally high electrical performance, due to the unique contact design and precision manufacture. For example the 2-way in a 9.0mm diameter plug is rated for up to 10 Amps continuous, with the 3-way in the same plug rated to 8 Amps continuous.

Fibre optic contacts, suitable for both singlmode and multimode are available. The butt ferrule contact utilises industry standard 1.25mm ceramic ferrules and a fully floating sprung loaded design, which with PC polish gives excellent insertion loss and back-reflection results.

One benefit of the modular construction is that it is straightforward to create hybrid configurations of electrical and fibre optic contacts within the same connectors.

## ACCESSORIES AND TOOLING

A full range of accessories including heatshrink boots, metal tie-wraps, caps and coloured washers is available, along with tooling such as crimp positioners and extractor tooling.

## CABLE ASSEMBLY

Where customers are seeking so-called one-stop shopping for complete cable assemblies, LEMO's skilled technicians build and test these to your specifications, maintaining the same high standard as with our connectors.

## Table of Contents

	<b>General production programme</b> .....	<b>page 2</b>
	<b>Main characteristics and types</b> .....	<b>2</b>
	<b>Series and types</b> .....	<b>3</b>
	<b>LEMO's push-pull self-latching connection system</b> .....	<b>4</b>
	<b>F series production program</b> .....	<b>4</b>
<b>F Series</b> .....	General characteristics .....	6
	Selection of shell materials, degrees of protection (IP code) .....	6
	Selection of contact types (crimp, print, fibre optic).....	7
	Interconnections .....	9
	Model description.....	9
	Part section showing internal components .....	9
	Technical characteristics .....	10
	Available models (series and types) .....	11
	Alignment key and polarized keying system .....	11
	Part number example .....	11
	Models - Series .....	12
	Type .....	18
	Housings .....	20
	Electrical contacts, cable fixing .....	20
<b>Accessories</b> .....	Crimp contacts, F7 fibre optic contacts.....	23
	Caps.....	24
	Heatshrink boot, insulating washers .....	25
	Locking washers, nuts .....	26
<b>Tooling</b> .....	Spanners, taps, manual and pneumatic crimping tools.....	27
	Positioners, extractor for crimp contact.....	28
	Banding tool, retention testing tool .....	29
<b>Fibre Optic Tooling</b> .....	Complete workstation.....	29
	Crimping tool, epoxy curing oven, polishing tool .....	29
	Fibre inspection microscope, microscope adaptor, F7 contact alignment device tool.....	30
<b>Panel Cut-Outs</b> .....	Mounting nut torque .....	30
<b>PCB Drilling Pattern</b> .....	Fixed socket with straight print contact.....	31
	Fixed socket with elbow print contact .....	32
<b>Technical Characteristics</b> .....	Outer shell.....	33
	Insulator .....	33
	Electrical contact.....	34
	Test voltage.....	35
	Rated current .....	36
	Assembly instructions .....	37
	Technical tables.....	38
	Product safety notice .....	40

## General Production Programme

**Connectors**

- Unipole from 2 to 150 Amps
- Coaxial 50 and 75 Ω
- Coaxial 50 Ω (NIM-CAMAC)
- Coaxial 50 Ω for frequency → 12 GHz
- Multicoaxial 50 and 75 Ω
- Multipole from 2 to 66 contacts
- Multipole up to 106 contacts
- High Voltage 3, 5, 8, 10, 15, 30 and 50 kV cc
- Multi High Voltage 3, 5, and 10 kV cc
- Triaxial 50 and 75 Ω
- Quadrax
- Mixed: High Voltage (HV) + Low Voltage (LV)
- Mixed: Coax + LV and Triax + LV
- Thermocouple and multithermocouple
- Fibre optic singlemode and multimode
- Multi Fibre optic
- Mixed: fibre optic + LV
- Mixed: fibre optic + HV + LV
- Fluidic and Multifluidic
- Mixed: fluidic + LV
- Subminiature
- Miniature
- Sockets for printed circuit board
- Remote handling shell
- Watertight socket
- Hermaphroditic shell
- Rectangular connectors
- Sealed (pressure and/or vacuum) socket
- Plastic shell
- With aluminium outer shell
- With stainless steel outer shell
- With microswitch

**Patch Panels** All audio-video and HDTV applications

**Adaptors** For BNC, C, UHF, N, CINCH, GEN-RADIO connectors  
For TNC, SMA connectors

**Accessories** Insulator for crimp contacts

- Crimp contacts
- Coaxial contacts
- Triaxial contacts
- Fibre optic contacts
- Fluidic contactss
- Caps
- Bend relief
- Heatshrink boot
- Washers
- Nuts

**Tooling**

- Assembly tool
- Crimping tools
- Positioners
- Extractors
- Banding tool
- Fibre optic termination workstation and tools

**On request**

- Connectors with special housing
- Special mixed configuration
- Custom design
- Assembly onto cable

- Connectors, accessories and tools found in this catalogue.

## Main Characteristics and Types

<b>Series</b>	<b>Standard</b> 01 / 00 (unipole) 00 (NIM-CAMAC) 05 / R0 / 1D 0S to 6S 0A / 4A / 2C 1Y-3Y-6Y	<b>Watertight</b> 0E to 6E 3T 4M	<b>Keyed</b> 00 (multipole) 0B to 5B 2G / 5G	<b>Keyed Watertight</b> 0K to 5K 2N to 5N	<b>Harsh Environment</b> FF to 5F	<b>Hermaphroditic</b> SH / MH	<b>Rectangular</b> RR / 0R / 1R	<b>Screw</b> 03 0V to 5V 0W to 5W 2U to 5U
<b>Latching</b>	Push-Pull							Screw
<b>Key</b>	Stepped insert		Key (G) or other key-way code		Key (N) or other key-way code	Hermaphroditic shell	Key G or A	Key (G) or stepped insert
<b>Shell</b>	Metal or plastic	Metal	Metal or plastic	Metal			Plastic	Metal
<b>Insert</b>	Stepped insert or cylindrical		Cylindrical			Stepped insert	Rectangular	Stepped insert or cylindrical
<b>Contact termination</b>	Solder or print		Solder, crimp or print		Crimp or print	Solder, crimp or print	Crimp or print	Solder crimp or print
<b>Contact type</b>	Coaxial, triaxial, unipole, multipole HV, quadrax, fluidic, thermocouple		Multipole, fibre optic, HV, fluidic, thermocouple		Multipole, fibre optic		Multipole, HV, coaxial, fluidic	All
<b>Mixed config.</b>	LV + coax, LV + HV		LV + coax, LV + triax, LV + HV, LV + FO, LV + fluidic		LV + FO		LV + coax, LV + HV, LV + fluidic	LV + coax, LV + triax, LV + FO, LV + fluidic

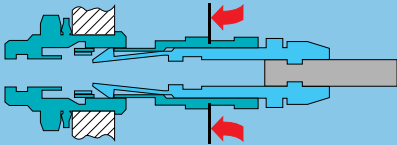
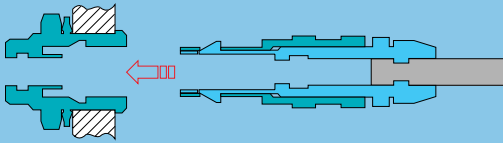
## Series and Types

	Series	Types																				
		Unipole	Coaxial 50 Ω	Coaxial 75 Ω	Multipole	High Voltage	Triaxial 50 Ω	Triaxial 75 Ω	Quadrax	Multi HV	Multi Coaxial	Mixed HV+LV	Mixed Coax+LV	Mixed Triax+LV	Fibre Optic	Multi Fibre Optic	Mixed FO+LV	Fluidic	Multi fluidic	Mixed fluidic+LV	Thermocouple	
Standard	01		●																			
	00	●	●				●											●				
	05					●																
	R0		●																			
	0A		●	●																		
	0S	●	●		●	●	●															●
	1S	●	●	●	●	●	●															●
	2S	●	●	●	●	●	●	●				●										●
	3S	●	●	●	●	●	●	●		●		●	●									
	4S	●	●	●	●	●	●	●		●	●	●	●	●								
	5S	●	●	●	●					●	●	●	●	●								
	6S				●						●		●	●								
	1D								●													
	2C		●		●																	
4A							●															
1Y-3Y-6Y					●																	
Watertight	0E	●	●		●	●	●															●
	1E	●	●	●	●	●	●															●
	2E	●	●	●	●	●	●				●	●	●									●
	3E	●	●	●	●	●	●		●		●	●	●									
	4E	●	●	●	●		●	●			●	●	●	●								
	5E	●			●					●	●	●	●	●								
	6E				●						●		●	●								
	3T			●				●														
4M						●	●															
Keyed	00				●									●								●
	0B				●									●			●					●
	1B				●						●	●	●			●						●
	2B				●				●	●	●	●	●	●		●	●			●	●	●
	3B				●					●	●	●	●	●		●	●		●	●	●	●
	4B				●				●	●	●	●	●	●		●	●			●	●	●
	5B				●				●	●	●	●	●	●		●	●					●
	2G				●																	
5G								●														
Keyed watertight	0K				●									●								●
	1K				●						●	●	●			●	●					●
	2K			●	●				●	●	●	●	●	●		●	●			●	●	●
	3K			●	●					●	●	●	●	●		●	●		●	●	●	●
	4K				●				●	●	●	●	●	●		●	●			●	●	●
	5K				●				●	●	●	●	●	●		●	●			●	●	●
2N to 5N	●	●	●	●		●	●			●	●	●	●	●	●	●		●	●	●	●	
Harsh Environment	FF				●																	
	0F				●																	
	1F				●																	
	2F				●										●	●						
	3F				●																	
	4F				●																	
5F				●																		
Hermaphroditic	SH-MH				●										●	●						
Rectangular	RR				●																	
	0R				●						●	●									●	
	1R				●						●	●									●	
Screw	03		●		●																	
	0V to 5V	●	●	●	●		●	●				●										
	0W to 5W				●					●		●	●		●	●					●	●
	2U to 5U				●					●		●	●		●	●						

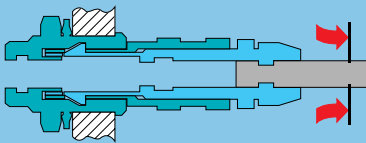
Note: ● = included in this catalogue, ● = available but not included in this catalogue.

## LEMO's Push-Pull Self-Latching Connection System

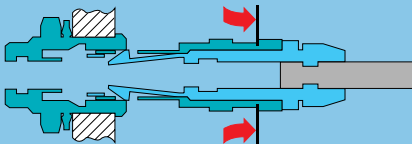
This self-latching system is renowned worldwide for its easy and quick mating and unmating features. It provides absolute security against vibration, shock or pull on the cable, and facilitates operation in a very limited space.



The LEMO self-latching system allows the connector to be mated by simply pushing the plug axially into socket.

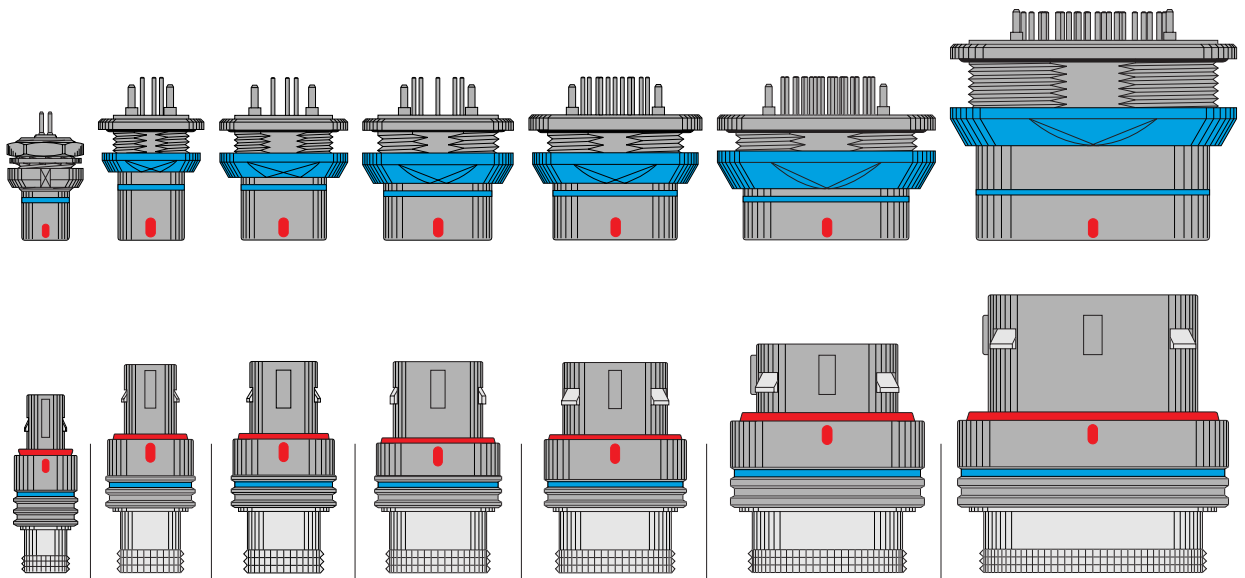


Once firmly latched, connection cannot be broken by pulling on the cable or any other component part other than the outer release sleeve.



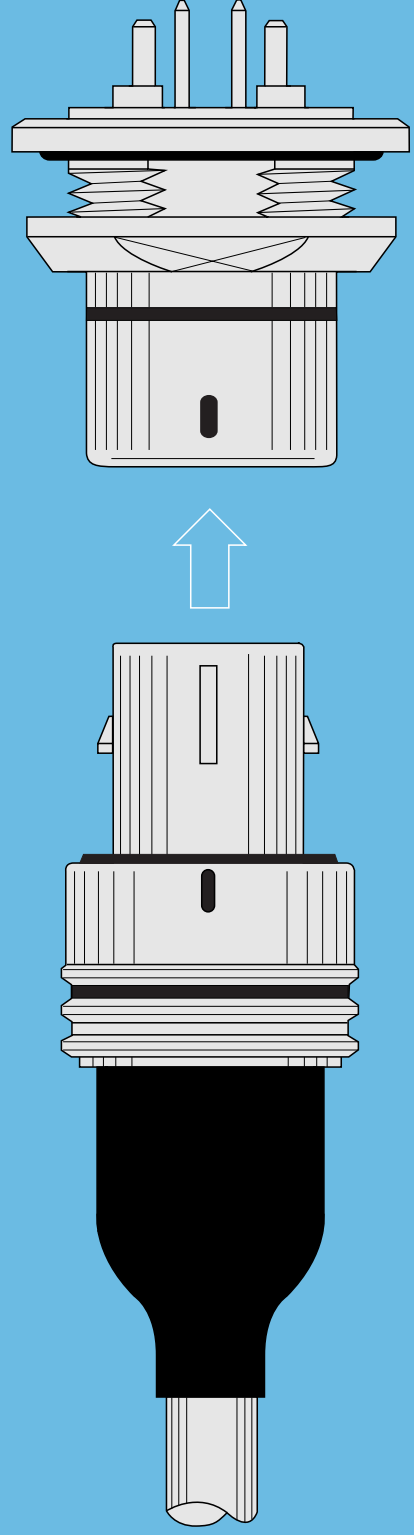
When required, the connector is disengaged by a single axial pull on the outer release sleeve. This first disengages the latches and then withdraws the plug from the socket.

## F Series Production Programme



Series		FF	0F	1F	2F	3F	4F	5F
Cable Ø range (mm)	min.	2.2	3.8	3.8	3.8	3.8	5.3	7.4
	max.	9	11	13	16	18	25	34
Number of LV contacts		3, 4	2, 3, 4, 5	3, 5, 7, 8	8, 10, 12, 19	22, 30	40	50, 54, 55, 64, 66
Nr of FO contacts <sup>1)</sup>	multi	-	-	-	2	-	-	-
	mixed	-	-	-	2 + 4 LV	-	-	-

**Note:** <sup>1)</sup> For cable ranging from 3.6 to 6.5 mm in diameter.



**F SERIES (harsh environments)**

## General Characteristics

### Selection of shell materials

#### Aluminium alloy

The aluminium alloy outer shells find numerous applications where light weight is a predominant factor; such as in the aeronautics and space industries, and for portable and mobile equipment.

Shells are made of high mechanical strength alloy (Avional). Connector shells are protected by a conductive anthracite grey coloured nickel finish.

As a standard latch sleeve are made of special bronze or brass, this material offer excellent performances for most of the applications.

For very demanding vibrating situation we recommend the use of special latch sleeve in Beryllium copper alloy. These parts have an electrolytic nickel plating.

As a standard gaskets are made of fluororubber FPM/FKM. This material has excellent resistance to hydrocarbons.

#### Sealing resin

An epoxy resin is used to seal both watertight and vacuumtight socket and coupler models.

### Degrees of protection (IP code)


IEC 60529 outlines an international classification system for the sealing effectiveness of enclosures of electrical equipment against the intrusion into the equipment of foreign bodies (i.e., tools, dust, fingers) and moisture. This classification system utilizes the letters «IP» (Ingress Protection) followed by two digits.

#### Degrees of protection - First digit

The first digit of the IP code indicates the degree that persons are protected against contact with moving parts and the degree that equipment is protected against solid foreign bodies intruding into an enclosure.

- 0 No special protection
- 1 Protection from a large part of the body such as hand or from solid objects greater than 50 mm in diameter
- 2 Protection against objects not greater than 80 mm in length and 12 mm in diameter
- 3 Protection from entry by tools, wires, etc., with a diameter or thickness greater than 2.5 mm
- 4 Protection from entry by solid objects with a diameter or thickness greater than 1.0 mm
- 5 Protection from the amount of dust that would interfere with the operation of the equipment
- 6 Dust-tight

### CE marking

CE marking  means that the appliance or equipment bearing it complies with the protection requirements of one or several European safety directives.

#### Brass

The brass outer shells have a chrome nickel-plated surface which ensures very good protection against industrial atmosphere, salt air and most corrosive agents.

In case of brass shell standard latch sleeves are made of special bronze or brass.

Here standard gaskets are made of silicone rubber MQ/MVQ. This material has excellent weather resistance and a wide temperature range.

#### Other metallic components

In general, most metallic components are manufactured in brass. However, bronze or beryllium copper are used where good elasticity is required (for example: earthing crown). Depending on the application, these parts have electrolytic nickel plating.


**Example: IP 64 = IP 6 4**

IP letter code     
 1st digit   
 2nd digit

#### Degrees of protection - Second digit

Second digit indicates the degree of protection of the equipment inside the enclosure against the harmful entry of various forms of moisture (e.g. dripping, spraying, submersion, etc.)

- 0 No special protection
- 1 Protection from vertically dripping water
- 2 Protection from dripping water when tilted up to 15°
- 3 Protection from sprayed water
- 4 Protection from splashed water
- 5 Protection from water projected from a nozzle
- 6 Protection against heavy seas, or powerful jets of water
- 7 Protection against temporary immersion
- 8 Protection against complete continuous submersion in water

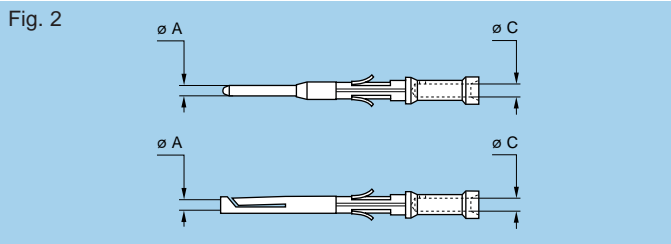
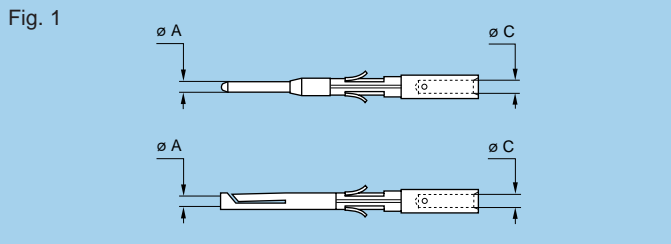
CE marking  applies to complete products or equipment, **but not to electromechanical components, such as connectors.**



## Selection of contact types

### Crimp contacts

The crimp contacts are designed to be crimped with the standard four indent method according to MIL-C-22520F, class 1, type 1.



A detailed range of conductor dimensions that can be crimped into our contacts is given on the table at right. See also the section on tooling (pages 27 to 30).

Contacts are provided in two forms: with a standard crimp barrel for large conductors (see fig. 1), or with a reduced crimp barrel for smaller conductors (see fig. 2).

Contact			Conductor stranded				Fr (N)
ø A (mm)	ø C (mm)	Form per fig.	AWG stranded		Section (mm <sup>2</sup> )		
			min.	max.	min.	max.	
0.5	0.45	1	32	28	0.035	0.09	12
0.7	0.80	1	26	22 <sup>1)</sup>	0.140	0.34	22
0.9	1.10	1	24	20	0.250	0.50	30
1.3	1.40	1	20	18	0.500	1.00	40

Contact			Conductor stranded				Fr (N)
ø A (mm)	ø C (mm)	Form per fig.	AWG stranded		Section (mm <sup>2</sup> )		
			min.	max.	min.	max.	
0.7	0.45	2	32	28	0.035	0.09	22
0.9	0.80	2	26	22 <sup>1)</sup>	0.140	0.34	30
	0.45	2	32	28	0.035	0.09	
1.3	1.10	2	24	20	0.250	0.50	40

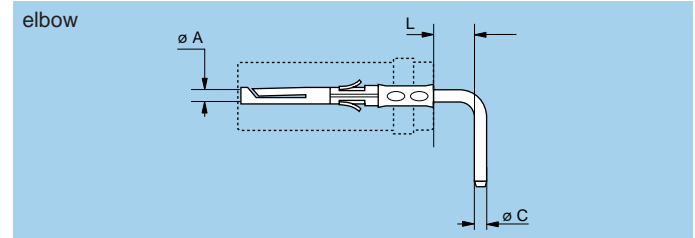
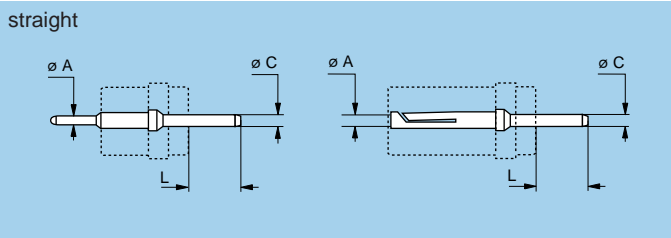
**Note:** Fr = mean contact retention force in the insulator (according to IEC 60512-8 test 15a).

**Note:** <sup>1)</sup> for a given AWG, the diameter of some stranded conductor designs is larger than the solder cup diameter. Make sure that the maximum conductor diameter is smaller than ø C.

### Print contacts

Print contacts are available in straight or elbow versions for certain connector types. Connection is possible by soldering on flexible or rigid printed circuit boards. Straight print contacts are gold-plated which guarantees

optimum soldering, even after longterm storage. Print elbow contacts include a tinned copper wire crimped into a contact. L dimensions and C ø are detailed in the section on model description.

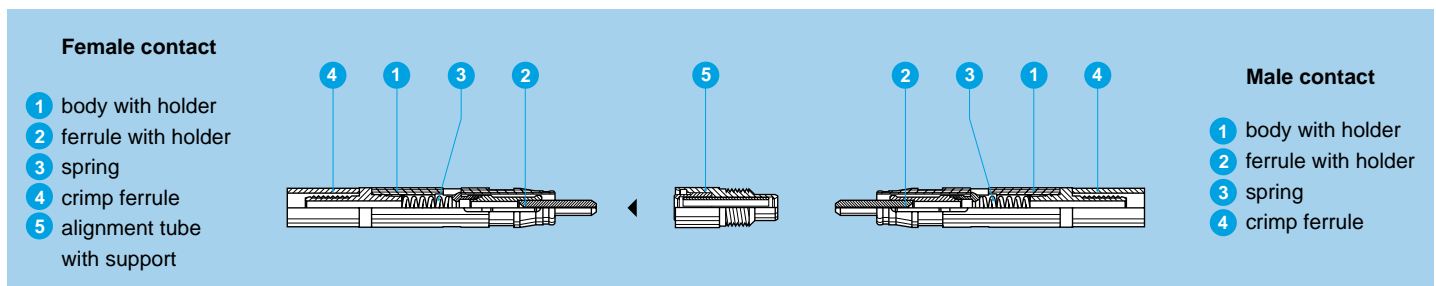


### Fibre Optic contacts

The new miniature F7 fibre optic contact is available for use with single-mode or multi-mode fibres of the following sizes; 9/125, 50/125 and 62.5/125 microns.

Contact are designed with the IEC standard 1.25 mm diameter ceramic ferrules. After mounting on the cable, the

contact is very easily installed in the connector insulator, the particular shape of the contact body retains it in the insulator. The alignment tube can be easily removed in order to clean the fibre end face.





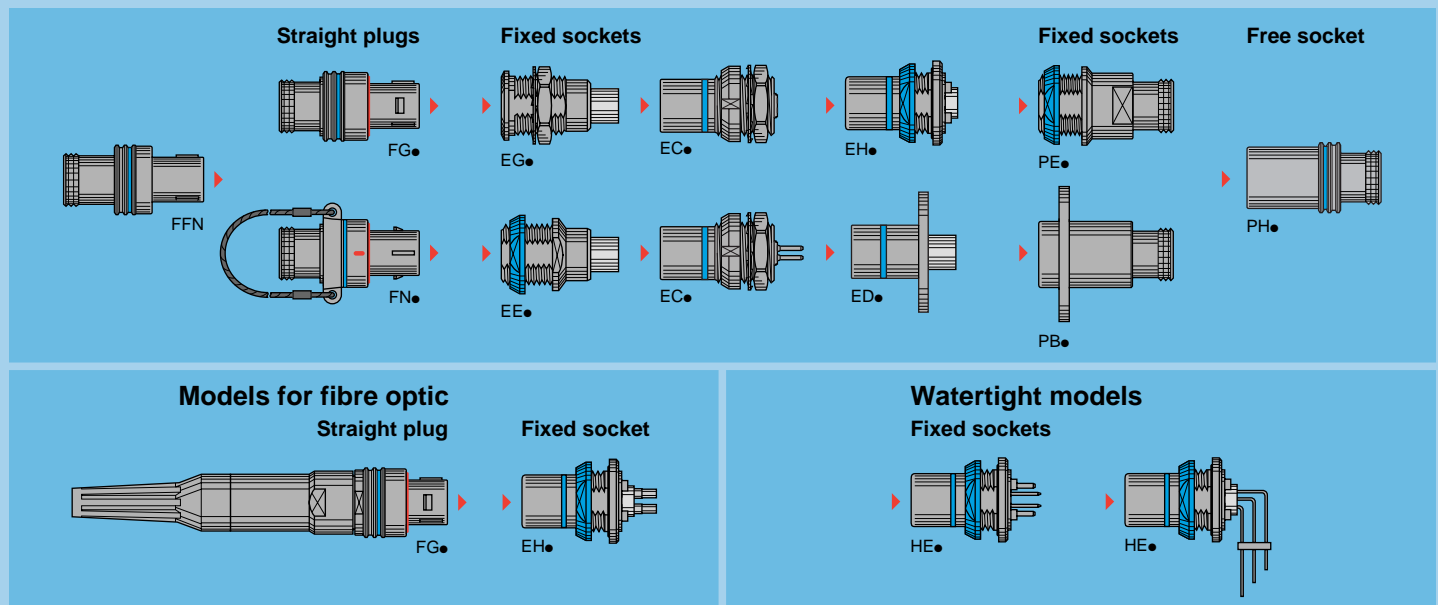
# F Series

The F series connectors have been specially developed to meet the most demanding requirements in terms of dimensions, weight and watertightness. Our manufacturing programme includes now 7 series. This series provides customers with many features and benefits including:

- push-pull self-latching system for safe connection
- sealed to IP67 for environmental protection when mated according to IEC 60529
- compact scoop-proof design and use of aluminium alloy
- high shock and vibration resistance
- multipole types with 2 to 66 contacts or multifibre optic or mixed FO + LV in 2F series
- crimp or print contacts (straight or elbow)
- keys ensuring ease of blind mating
- colour coded key options for system security.

Each series includes several models of plugs and sockets available in contact configurations adapted to all round cables, including up to 66 conductors, and a maximum diameter of 34 mm. Since LEMO connectors are perfectly screened and designed to guarantee very low resistance to shell electrical continuity, they are particularly adapted to applications where electromagnetic compatibility (EMC) is important. A large number of accessories as well as tooling for cable assembly are available.

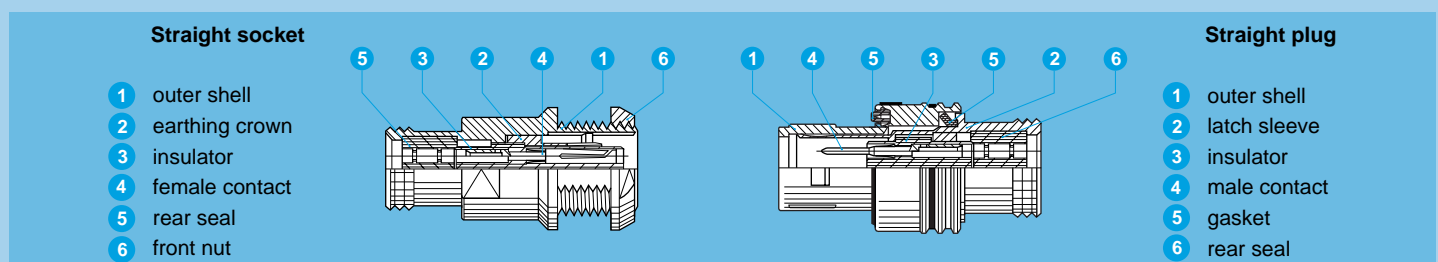
## Interconnections



## Model Description

- |   |  |
|---|--|
| <p><b>EC</b> Fixed socket with 2 nuts, key (N) or key (S), protruding shell, (back panel mounting)</p> <p><b>EC</b> Fixed socket with 2 nuts, key (N) or key (S), protruding shell, print contacts (back panel mounting)</p> <p><b>ED</b> Fixed socket with flange, key (N) or keys (P and S), 2 holes fixing, protruding shell</p> <p><b>EE</b> Fixed socket, nut fixing, key (N) or keys (P, S and T), (back panel mounting)</p> <p><b>EG</b> Fixed socket, nut fixing, key (N) or keys (P, S and T)</p> <p><b>EH</b> Fixed socket, nut fixing, key (N) or keys (P, S, T, W and X), protruding shell (back panel mounting)</p> <p><b>FFN</b> Straight plug, non-latching, key (N)</p> | <p><b>FG</b> Straight plug, key (N) or keys (P, S, T, W and X)</p> <p><b>FN</b> Straight plug, key (N) or keys (P and S) and lanyard release</p> <p><b>HE</b> Fixed socket, nut fixing, key (N) or keys (P, S, T, W and X), for printed circuit, protruding shell (back panel mounting)</p> <p><b>HE</b> Fixed socket, nut fixing, key (N) or key (P), with elbow (90°) contacts for printed circuit, protruding shell (back panel mounting)</p> <p><b>PB</b> Fixed socket with flange, key (N) or keys (P, S, T, W and X), 2 holes fixing</p> <p><b>PE</b> Fixed socket, nut fixing, key (N) or keys (P, S, T, W and X), (back panel mounting)</p> <p><b>PH</b> Free socket, key (N) or keys (P, S, T, W and X)</p> |
|---|--|

## Part Section Showing Internal Components



## Technical Characteristics

### Materials and Treatments

Component	Shell material code			Material (Standard)	Surface treatment (µm)					Notes			
					chrome			nickel			gold		
	X	Y	C		Cu	Ni	Cr	Cu	Ni		Cu	Ni	Au
Outer shell			●	Brass (UNS C 38500)	0.5	3	0.3	-	-	-	-	-	
	●	●		Avional (AA 2007)	-	-	-	-	5	-	-	-	1) 4) 5)
Conical nut			●	Brass (UNS C 38500)	0.5	3	0.3	-	-	-	-	-	
	●	●		Avional (AA 2007)	anodized various colour						2)		
Notched nut			●	Brass (UNS C 38500)	0.5	3	0.3	-	-	-	-	-	3)
	●	●		Avional (AA 2007)	-	-	-	-	5	-	-	-	1) 3)
Earthing crown	●	●	●	Bronze (UNS C 54400) or special brass	-	-	-	0.5	3	-	-	-	
Latch sleeve			●	Special bronze/brass	-	-	-	0.5	3	-	-	-	
Locking washer		●		Beryllium Copper (UNS C 17300)	-	-	-	0.5	3	-	-	-	
Hexagonal nut			●	Bronze (UNS C 52100)	-	-	-	0.5	3	-	-	-	
	●	●		Brass (UNS C 38500)	-	-	-	0.5	3	-	-	-	
Other metallic components	●	●	●	Aluminium alloy (AA 6012)	anodized natural								
Male crimp contact	●	●	●	Brass (UNS C 38500)	-	-	-	0.5	3	-	-	-	
Female crimp contact	●	●	●	Brass (UNS C 34500)	-	-	-	-	-	0.5	3	1.0	
Female crimp contact	●	●	●	Bronze (UNS C 54400)	-	-	-	-	-	0.5	3	1.5	
Clips	●	●	●	Cu-Be or special steel	without treatment								
Insulator	●	●	●	PEEK	-								
O-ring and gaskets	●	●		FPM/FKM (Viton®)	-								
			●	Silicone MQ/MVQ	-								
Sealing resin	●	●	●	Epoxy (Araldite® or Stycast®)	-								
Cable rear seal	●	●	●	Fluorosilicone	-								

#### Notes:

standards for surface treatment are as follows:

- chrome-plated: FS QQ-C-320B
- nickel-plated: FS QQ-N-290A, or MIL-C-26074C
- gold-plated: ISO 4523

- 1) anthracite colour
- 2) the colour match the colour code of the key (see page 11)
- 3) for the FF series only
- 4) FF series available only with material code Y
- 5) 5F not available with material

### Mechanical and Climatical

Characteristics	Value	Standard	Series / Shell material
Endurance	1000 cycles	IEC 60512-5 test 9a	All; Avional material code X
Endurance	300 cycles (FF and 0F); 500 cycles (1F to 4F)	IEC 60512-5 test 9a	All; Avional material code Y
Endurance	1000 cycles	IEC 60512-5 test 9a	All; Brass material code C
Humidity	up to 95% at 60° C		All
Operating temperature	-15° C, +200° C		All; Avional material code X or Y
Operating temperature	-50° C, +200° C		All; Brass material code C
Vibration resistance	10-2000 Hz, 15 g	IEC 60512-4 test 6d	All
Vibration (Gunfire test)		MIL-standard 810 E	FF and 0F; all materials
Shock resistance	100 g, 6 ms	IEC 60512-4 test 6c	All
Salt spray corrosion test	24 h	IEC 60512-6 test 11f	All; Avional material code X or Y
Salt spray corrosion test	144 h	IEC 60512-6 test 11f	All; Brass material code C
Protection index (mated)	IP67	IEC 60529	All
Climatical category	15/200/21	IEC 60068-1	All; Avional material code X or Y
Climatical category	50/175/21	IEC 60068-1	All; Brass material code C

### Electrical

Characteristic	Value	Standard	Section
Insulation resistance (new)	> 10 <sup>12</sup> Ω	IEC 60512-2	test 3a
Insulation resistance <sup>1)</sup>	> 10 <sup>10</sup> Ω	IEC 60512-2	test 3a
Shell electrical continuity (FF-0F)	5.0 mΩ	IEC 60512-2	test 2f
Shell electrical continuity (1F)	3.0 mΩ	IEC 60512-2	test 2f
Shell electrical continuity (2F-3F)	2.5 mΩ	IEC 60512-2	test 2f
Shell electrical continuity (4F)	2.0 mΩ	IEC 60512-2	test 2f
Shell electrical continuity (5F)	1.5 mΩ	IEC 60512-2	test 2f

Characteristic	∅ A (mm)	Value	Standard	Section
Contact resistance <sup>2)</sup>	0.5	≤ 8.7 mΩ	IEC 60512-2	test 2a
Contact resistance <sup>2)</sup>	0.7	≤ 6.1 mΩ	IEC 60512-2	test 2a
Contact resistance <sup>2)</sup>	0.9	≤ 4.8 mΩ	IEC 60512-2	test 2a
Contact resistance <sup>2)</sup>	1.3	≤ 3.6 mΩ	IEC 60512-2	test 2a

#### Notes:

- 1) after humidity test: 21 days at 95% RH according to IEC 60068-2.
- 2) after 5000 mating cycles and the salt spray test according to IEC 60512-6 test 11 f.

## Available Models (series and types)

Model	Multipole						
	FF	0F	1F	2F	3F	4F	5F
EC●	●						
ED●			●				
EE●		●	●	●	●		
EG●		●	●	●	●		

Model	Multipole						
	FF	0F	1F	2F	3F	4F	5F
EH●		●	●	●	●	●	●
FF●				●			
FG●	●	●	●	●	●	●	●
FNN			●	●	●		

Model	Multipole						
	FF	0F	1F	2F	3F	4F	5F
HE●	●	●	●	●	●	●	●
PB●		●	●	●	●	●	●
PE●	●	●	●	●	●	●	●
PH●	●	●	●	●	●	●	●

**Note:**  
● = available models by series and types

## Alignment Key and Polarized Keying System

F series connector model part numbers are composed of three letters. The LAST LETTER indicates the keys corresponding to a particular contact type. For example, straight plugs with N, P or W keys, are fitted with male contacts; whereas with S, T or X keys, plugs are fitted with female contacts. Sockets with N, P or W keys, are fitted with female contacts; whereas with S, T or X keys, sockets are fitted with male contacts.

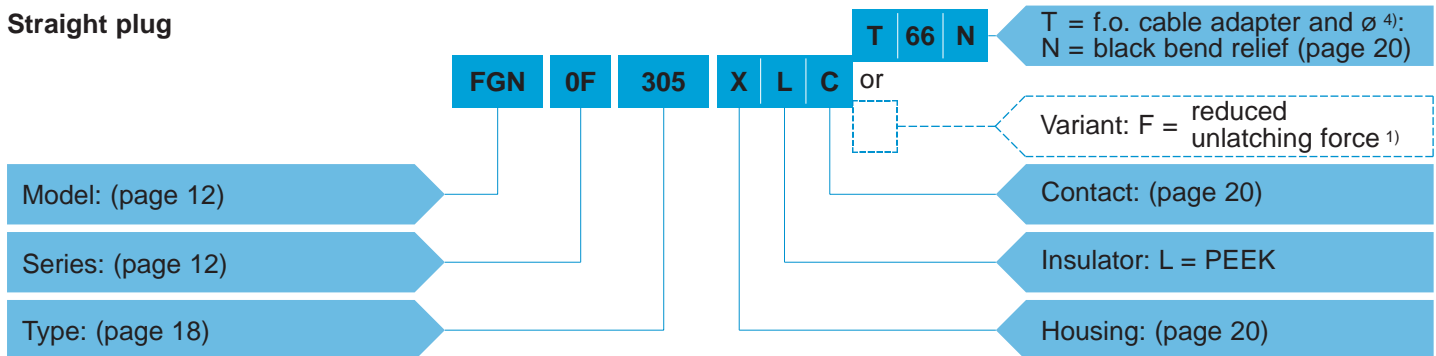
Front view of a socket 	Model	Nb of keys	Series FF		Series 0F to 2F		Series 3F		Colour code	Contact type Electrical or Optical		Note
			Angles							Plug	Socket	
			$\beta$	$\gamma$	$\beta$	$\gamma$	$\beta$	$\gamma$				
●●N	3	3	165°	30°	165°	30°	150°	60°	blue	male	female	●
●●P			–	–	150°	60°	145°	70°	yellow	male	female	○
●●S			155°	50°	155°	50°	140°	80°	red	female	male	●
●●T			–	–	–	–	135°	90°	green	female	male	○

Front view of a socket 	Model	Nb of keys	Series 4F-5F				Colour code	Contact type		Note
			Angles					Plug	Socket	
			$\alpha$	$\beta$	$\gamma$	$\delta$				
●●W	5	5	95°	115°	35°	25°	blue	male	female	●
●●X			100°	125°	40°	20°	red	female	male	○

● First choice alternative ○ Special order alternative

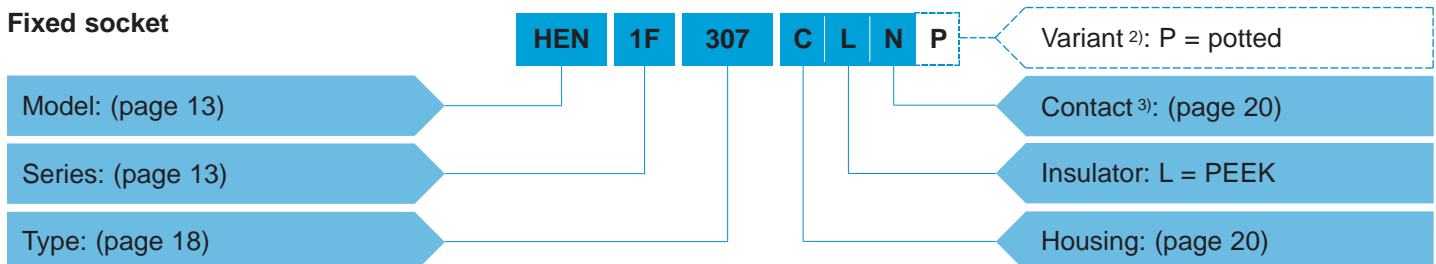
## Part Number Example

### Straight plug



**FGN.0F.305.XL.C** = straight plug with key (N), 0F series, multipole with 5 contacts, anthracite nickel-plated Avional outer shell, bronze latch sleeve, PEEK insulator, male crimp contacts.

### Fixed socket

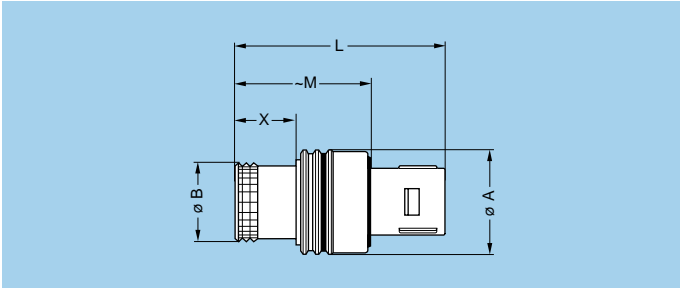
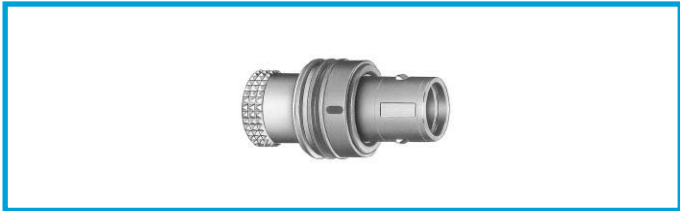


**HEN.1F.307.XLNP** = fixed socket, nut fixing, for printed circuit, key (N), (back panel mounting), watertight, 1F series, multipole with 7 contacts, chrome-plated brass outer shell, PEEK insulator, female print contacts.

**Note:** <sup>1)</sup> for straight plug only. <sup>2)</sup> potting for HE● only. <sup>3)</sup> HE● available only with print contacts (straight or elbow).

<sup>4)</sup> connectors for fibre-optic are delivered without the fibre optic contacts, they must be ordered separately (see page 23).

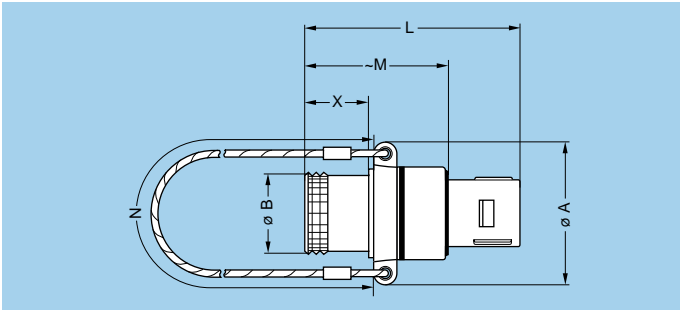
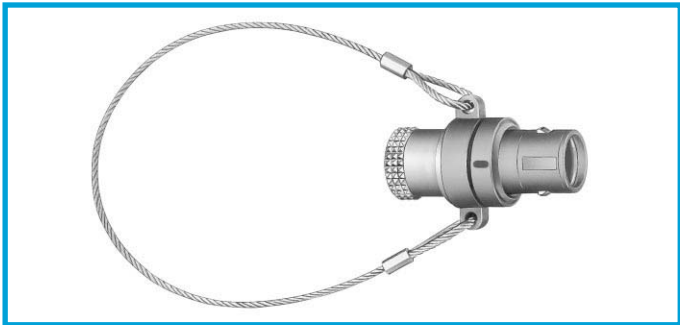
# Models - Series



## FG● Straight plug, key (N) or keys (P, S, T, W and X)

Reference		Dimensions (mm)				
Model	Series	A	B	L	M	X
FG●	FF	8.5	6.3	23.6	15.8	5.7
FG●	0F	12.0	9.0	27.5	17.8	8.0
FG●	1F	14.0	10.7	27.8	17.8	8.0
FG●	2F	17.0	14.0	27.8	17.8	8.0
FG●	3F	19.0	16.0	27.8	17.8	8.0
FGW	4F	26.0	21.2	30.3	20.4	8.0
FGX	4F	26.0	21.2	30.7	20.4	8.0
FG●	5F	36.2	30.2	36.7	20.4	8.0

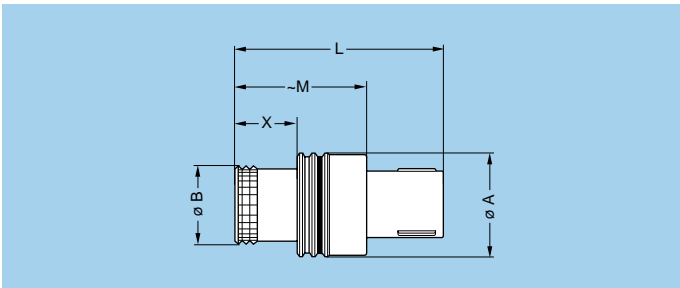
**Note:** this plug can also be supplied with a reduced unlatching force (see page 11).



## FN● Straight plug, key (N) or keys (P and S) and lanyard release

Reference		Dimensions (mm)					
Model	Series	A	B	L	M	N	X
FN●	1F	20.0	10.7	27.8	17.8	140	8.0
FN●	2F	23.0	14.0	27.8	17.9	160	8.0
FN●	3F	25.0	16.0	27.8	17.9	190	8.0

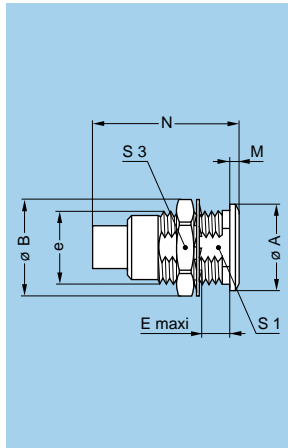
**Note:** cable material: stainless steel with protective sheath



## FFN Straight plug, non-latching, key (N)

Reference		Dimensions (mm)				
Model	Series	A	B	L	M	X
FFN	2F	17	14	27.8	17.8	8.0

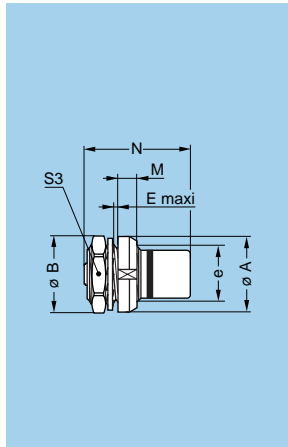
**Note:** this plug allows a protection index of only IP50 when mated.



### EG● Fixed socket, nut fixing, key (N) or keys (P, S and T)

Reference		Dimensions (mm)								
Model	Series	A	B	e	E	M	N	S1	S3	
EG●	0F	10	12.4	M9x0.6	7.0	1.2	19.0	8.2	11	
EG●	1F	14	15.8	M12x1.0	6.5	1.5	19.0	10.5	14	
EG●	2F	18	19.2	M15x1.0	6.5	1.8	19.0	13.5	17	
EGN	3F	22	25.0	M18x1.0	5.5	2.0	19.0	16.5	22	
EGP	3F	22	25.0	M18x1.0	5.5	2.0	19.0	16.5	22	
EGS	3F	22	25.0	M18x1.0	5.5	2.0	20.5	16.5	22	
EGT	3F	22	25.0	M18x1.0	5.5	2.0	20.5	16.5	22	

Panel cut-out (page 30)

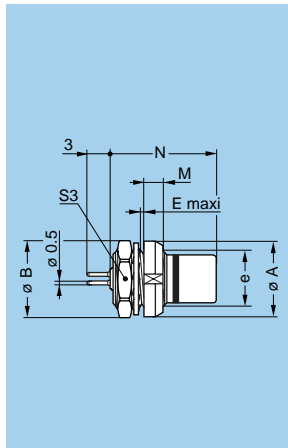


### EC● Fixed socket with 2 nuts, key (N) or key (S), protruding shell (back panel mounting)

Reference		Dimensions (mm)							
Model	Series	A	B	e	E	M	N	S3	
EC●	FF	10	10.2	M7x0.5	1.5	2.5	13.9	9	

Panel cut-out (page 30)

**Note:** this socket can be used without the hexagonal nut. It will be directly fasten into the device, the notched nut is used as a tightening nut.

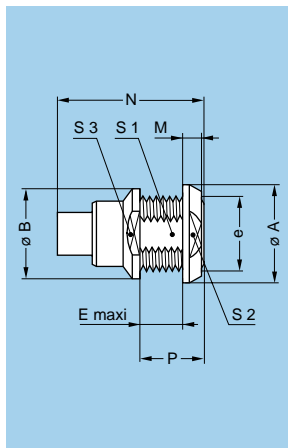


### EC● Fixed socket with 2 nuts, key (N) or key (S), protruding shell, print contacts (back panel mounting)

Reference		Dimensions (mm)							
Model	Series	A	B	e	E	M	N	S3	
EC●	FF	10	10.2	M7x0.5	1.5	2.5	13.9	9	

Panel cut-out (page 30)

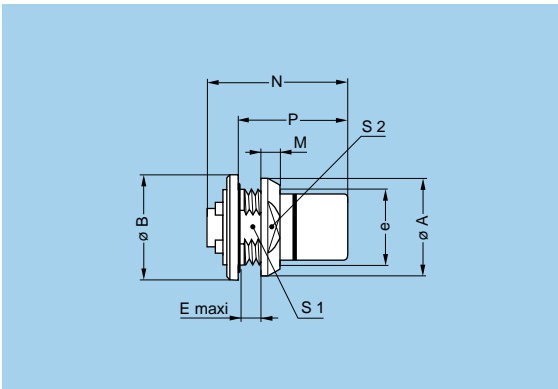
**Note:** this socket can be used without the hexagonal nut. It will be directly fasten into the device, the notched nut is used as a tightening nut.



### EE● Fixed socket, nut fixing, key (N) or keys (P, S and T), (back panel mounting)

Reference		Dimensions (mm)									
Model	Series	A	B	e	E	M	N	P	S1	S2	S3
EE●	0F	13	12	M10x0.75	6.0	2.5	19.0	8.5	9.0	11	10.5
EE●	1F	17	15	M13x0.75	6.2	3.2	19.0	9.4	11.5	14	14.0
EE●	2F	20	19	M16x1.00	6.4	4.0	19.0	10.4	14.5	17	16.0
EEN	3F	22	22	M18x1.00	6.4	4.0	19.0	10.4	16.5	19	20.0
EEP	3F	22	22	M18x1.00	6.4	4.0	19.0	10.4	16.5	19	20.0
EES	3F	22	22	M18x1.00	6.4	4.0	20.5	10.4	16.5	19	20.0
EET	3F	22	22	M18x1.00	6.4	4.0	20.5	10.4	16.5	19	20.0

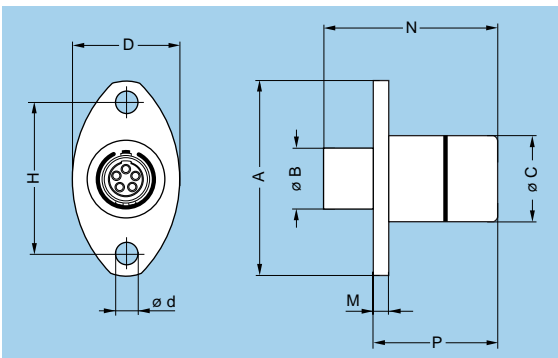
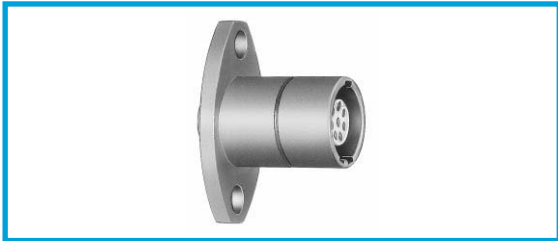
Panel cut-out (page 30)



**EH● Fixed socket, nut fixing, key (N) or keys (P, S, T, W and X), (back panel mounting)**

Reference		Dimensions (mm)									
Model	Series	A	B	e	E	M	N	P	S1	S2	
EH●	0F	13	14	M10x0.75	3.0	2.5	19.0	14.5	9.0	11	
EH●	1F	17	17	M13x0.75	3.0	3.2	19.0	14.5	11.5	14	
EH●	2F	20	20	M16x1.00	3.0	4.0	19.0	14.5	14.5	17	
EHN	3F	22	23	M18x1.00	3.0	4.0	19.0	14.5	16.5	19	
EHP	3F	22	23	M18x1.00	3.0	4.0	19.0	14.5	16.5	19	
EHS	3F	22	23	M18x1.00	3.0	4.0	20.5	16.0	16.5	19	
EHT	3F	22	23	M18x1.00	3.0	4.0	20.5	16.0	16.5	19	
EHW	4F	29	29	M24x1.00	3.0	5.0	19.0	14.5	22.0	25	
EHX	4F	29	29	M24x1.00	3.0	5.0	21.0	16.5	22.0	25	
EH●	5F	38	38	M33x1.00	6.4	5.0	28.4	23.9	31.0	34	

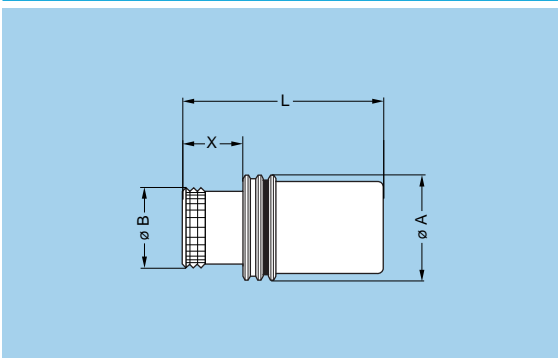
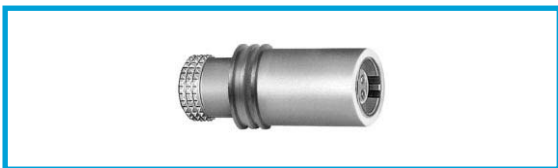
Panel cut-out (page 30)



**ED● Fixed socket with flange, key (N) or keys (P and S), 2 holes fixing, protruding shell**

Reference		Dimensions (mm)								
Model	Series	A	B	C	d	D	H	M	N	P
ED●	1F	25.4	5.9	11.3	3.5	14	19.3	2	19	16.5

Panel cut-out (page 30)



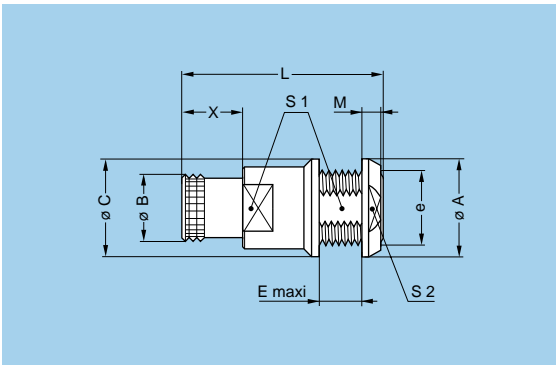
**PH● Free socket, key (N) or keys (P, S, T, W and X)**

Reference		Dimensions (mm)			
Model	Series	A	B	L	X
PH●	FF	8.5	6.3	20.7	5.7
PH●	0F	12.0	9.0	26.7	8.0
PH●	1F	14.0	10.7	26.7	8.0
PH●	2F	17.0	14.0	26.7	8.0
PHN	3F	19.0	16.0	26.7	8.0
PHP	3F	19.0	16.0	26.7	8.0
PHS	3F	19.0	16.0	28.2	8.0
PHT	3F	19.0	16.0	28.2	8.0
PHW	4F	26.0	21.2	26.7	8.0
PHX	4F	26.0	21.2	28.7	8.0
PH●	5F	35.0	30.2	37.2	8.0





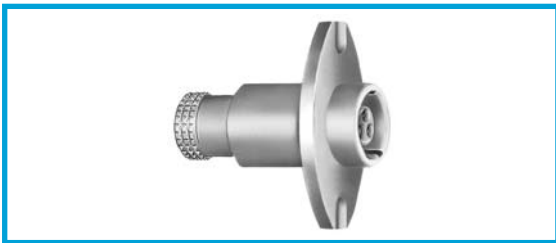
**PE● Fixed socket, nut fixing, key (N) or keys (P, S, T, W and X), (back panel mounting)**



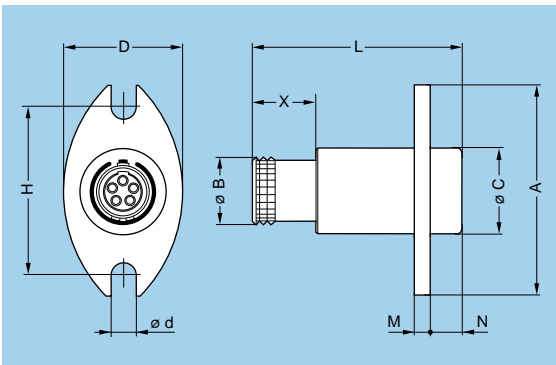
Reference		Dimensions (mm)									
Model	Series	A	B	C	e	E	L	M	S1	S2	X
PE●	FF 1)	10	6.3	11	M7x0.50	6.0	20.7	2.5	6.4	-	5.7
PE●	0F	13	9.0	13	M10x0.75	6.0	26.7	2.5	9.0	11	8.0
PE●	1F	17	10.7	17	M13x0.75	6.2	26.7	3.2	11.5	14	8.0
PE●	2F	20	14.0	20	M16x1.00	6.4	26.7	4.0	14.5	17	8.0
PEN	3F	22	16.0	22	M18x1.00	6.4	26.7	4.0	16.5	19	8.0
PEP	3F	22	16.0	22	M18x1.00	6.4	26.7	4.0	16.5	19	8.0
PES	3F	22	16.0	22	M18x1.00	6.4	28.2	4.0	16.5	19	8.0
PET	3F	22	16.0	22	M18x1.00	6.4	28.2	4.0	16.5	19	8.0
PEW	4F	29	21.2	29	M24x1.00	6.4	26.7	5.0	22.0	25	8.0
PEX	4F	29	21.2	29	M24x1.00	6.4	28.7	5.0	22.0	25	8.0
PE●	5F	38	30.2	38	M33x1.00	6.4	37.2	5.0	31.0	34	8.0

Panel cut-out (page 30)

**Note:** 1) fitted with notched nut GEG.



**PB● Fixed socket with flange, key (N) or keys (P, S, T, W and X), 2 holes fixing**



Reference		Dimensions (mm)									
Model	Series	A	B	C	d	D	H	L	M	N	X
PB●	0F	27	9.0	11.0	3.2	15	21.4	26.7	2	4	8
PB●	1F	27	10.7	13.0	3.2	15	21.4	26.7	2	4	8
PB●	2F	31	14.0	16.0	3.2	18	25.9	26.7	2	4	8
PBN	3F	38	16.0	17.5	3.2	20	29.0	26.7	2	4	8
PBP	3F	38	16.0	17.5	3.2	20	29.0	26.7	2	4	8
PBS	3F	38	16.0	17.5	3.2	20	29.0	28.2	2	4	8
PBT	3F	38	16.0	17.5	3.2	20	29.0	28.2	2	4	8
PBW	4F	41	21.2	23.0	3.2	26	32.0	26.7	2	4	8
PBX	4F	41	21.2	23.0	3.2	26	32.0	28.7	2	4	8
PB●	5F	44	30.2	32.0	3.2	33	38.2	37.2	2	4	8

Panel cut-out (page 30)

## Watertight PCB models

HEN fixed sockets allow the device on which they are fitted to reach a protection index of IP68 as per IEC 60529 (unmated). They can be mated with all plugs of the same series. These models are identified by a letter «P» at the end of the reference. Epoxy resin is used to seal these models.

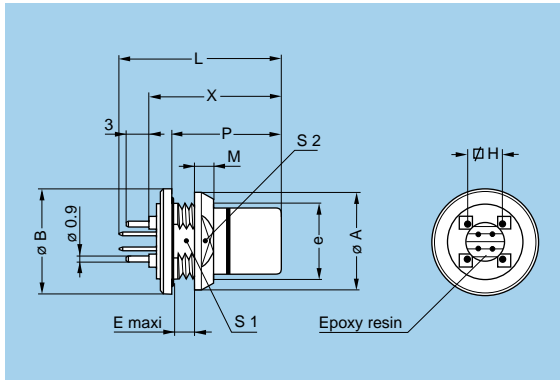
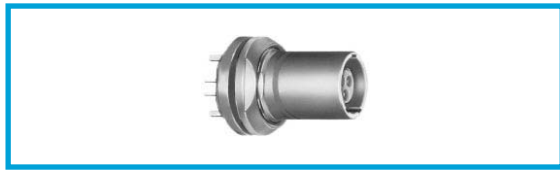
## Technical Characteristics

### Mechanical and Climatical

Characteristics <sup>1)</sup>	Value	Standard	Shell material
Temperature range	-15° C, +100° C		All; Avional material code X or Y
Temperature range	-20° C, +100° C		All; Brass material code C
Protection index unmated	IP68	IEC 60529	All
Maximum operating pressure <sup>2)</sup>	5 bars	IEC 60512-7 test 14d	All

Note: <sup>1)</sup> see also page 10.

<sup>2)</sup> this value corresponds to the maximum allowed pressure difference for the assembled socket.

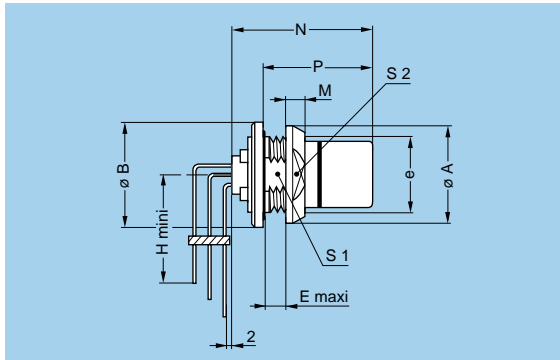
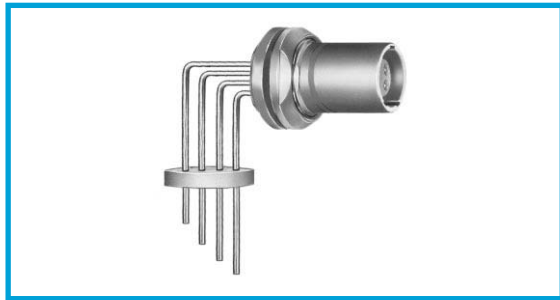


### HE● Fixed socket, nut fixing, key (N) or keys (P, S, T, W and X), for printed circuit, (back panel mounting)

Reference		Dimensions (mm)										
Model	Series	A	B	e	E	H	L	M	P	S1	S2	X
HE●	FF	10	11	M7x0.50	3.0	5.08	18.0	2.5	12.0	6.4	8	15.0
HE●	0F	13	14	M10x0.75	3.0	5.08	21.5	2.5	14.5	9.0	11	17.5
HE●	1F	17	17	M13x0.75	3.0	7.62	21.5	3.2	14.5	11.5	14	17.5
HE●	2F	20	20	M16x1.00	3.0	8.89	21.5	4.0	14.5	14.5	17	17.5
HEN	3F	22	23	M18x1.00	3.0	11.43	21.5	4.0	14.5	16.5	19	17.5
HEP	3F	22	23	M18x1.00	3.0	11.43	21.5	4.0	14.5	16.5	19	17.5
HES	3F	22	23	M18x1.00	3.0	11.43	23.0	4.0	16.0	16.5	19	19.0
HET	3F	22	23	M18x1.00	3.0	11.43	23.0	4.0	16.0	16.5	19	19.0
HEW	4F	29	29	M24x1.00	3.0	15.24	21.5	5.0	14.5	22.0	25	17.5
HEX	4F	29	29	M24x1.00	3.0	15.24	23.5	5.0	16.5	22.0	25	19.5
HE●	5F	38	38	M33x1.00	6.4	20.32	32.2	5.0	24.0	31.0	34	27.4

Panel cut-out (page 30)

PCB drilling pattern (page 31)



### HE● Fixed socket, nut fixing, key (N) or key (P), with elbow (90°) contacts for printed circuit, (back panel mounting)

Reference		Dimensions (mm)									
Model	Series	A	B	e	E	H	M	N	P	S1	S2
HE●	0F	13	14	M10x0.75	3.0	20	2.5	19	14.5	9.0	11
HE●	1F	17	17	M13x0.75	3.0	20	3.2	19	14.5	11.5	14
HE●	2F	20	20	M16x1.00	3.0	20	4.0	19	14.5	14.5	17

Panel cut-out (page 30)

PCB drilling pattern (page 32)

## Models for Fibre Optic

The 2F series has also been designed to allow fibre optic transmissions. This compact connector uses our new F7 fibre optic contact but requires a specific plug with extended shell. The main features are:

- Multi fibre option with 2 optical contacts
- Mixed option with 2 FO + 2 LV contacts
- Optical contact with ceramic ferrules diametre 1.25 mm

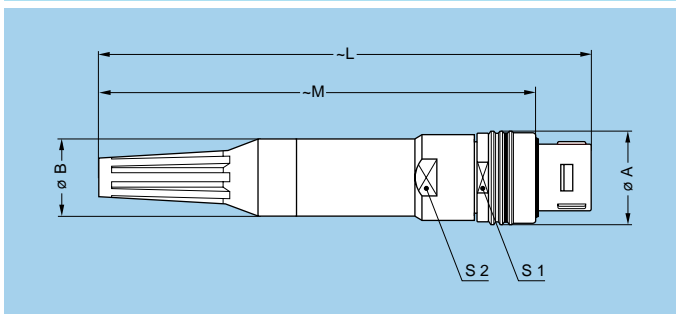
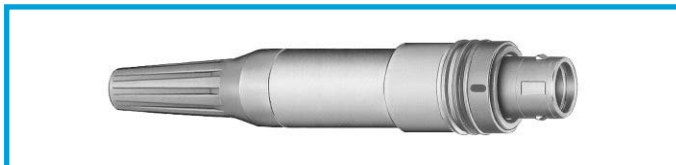
## Technical Characteristics of optical contacts

### Mechanical and Climatical

Characteristic	Value	Standard
Mating durability	> 1000 cycles	IEC 61300-02-02
Damp heat steady state	up to 93 % RH at 40°C	IEC 61300-02-19
High temperature	+85°C	IEC 61300-02-18
Low temperature	-40°C	IEC 61300-02-17
Cable retention	100 N	IEC 61300-02-04
Vibration (3 axes)	100 to 2000 Hz, 2 hrs	-
Change of temperature	-40 to +75°C	IEC 61300-02-22
Temperature/humidity	-10 to +65°C at 93 % RH	IEC 61300-02-21

### Optical

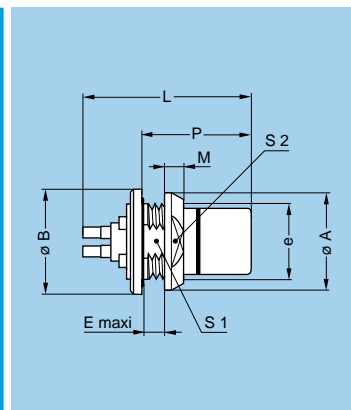
Characteristic	Value	Standard	Method
Average insertion loss fibre 9/125 µm	0.18 dB	IEC 61300-03-34	Method 2
Average insertion loss fibre 50/125 µm	0.25 dB	IEC 61300-03-34	Method 2
Return loss fibre 9/125 µm (UPC)	≥45 dB	IEC 61300-03-06	Coupler Method
Return loss fibre 9/125 µm (Hand polish)	>25 dB	IEC 61300-03-06	Coupler Method



### FG● Straight plug, key (N) or keys (P and S)

Reference		Dimensions (mm)					
Model	Series	A	B	L	M	S1	S2
FG●	2F	17.0	14.0	89.5	79.5	15.0	14.0

**Note:** The Desmopan bend relief is delivered with the plug.



### EH● Fixed socket, nut fixing, key (N) or keys (P and S), (back panel mounting)

Reference		Dimensions (mm)								
Model	Series	A	B	e	E	L	M	P	S1	S2
EH●	2F	20	20	M16x1	3	21.8	4	14.5	14.5	17

Panel cut-out (page 30)

**Note:** Other models of socket can be made available.

**Connectors for fibre-optic are delivered without the fibre optic contacts, they must be ordered separately (see page 23).**

# Type

## Multipole

		 Male crimp contacts	 Female crimp contacts	Reference	Number of contacts	ø A (mm)	Contact type			AWG <sup>2)</sup>	Test voltage (kV rms) <sup>1)</sup> Contact-contact	Test voltage (kV rms) <sup>1)</sup> Contact-shell	Rated current (A) <sup>1)</sup>
							Crimp	Print (straight)	Print (elbow)				
FF				303	3	0.5	●	●	–	28-30-32	1.35	1.10	3.0
				304	4	0.5	●	●	–	28-30-32	1.05	1.05	2.0
0F				302	2	0.9	●	●	●	20-22-24	1.45	1.20	10.0
				303	3	0.9	●	●	●	20-22-24	1.70	1.60	8.0
				304	4	0.7	●	●	●	22-24-26	1.35	1.10	7.0
				305	5	0.7	●	●	●	22-24-26	1.25	1.20	6.5
1F				303	3	1.3	●	●	●	18-20	1.60	1.85	12.0
				305	5	0.9	●	●	●	20-22-24	1.30	1.55	9.0
				307	7	0.7	●	●	●	22-24-26	1.45	1.45	7.0
				308	8	0.7	●	●	●	22-24-26	1.30	1.30	5.0
2F				308	8	0.9	●	●	●	20-22-24	1.95	1.95	10.0
				310	10	0.9	●	●	●	20-22-24	1.80	2.10	8.0
				312	12	0.7	●	●	●	22-24-26	1.65	2.00	7.0
				319	19	0.7	●	●	●	22-24-26	1.55	1.65	5.0
3F				322	22	0.7	●	●	–	22-24-26	1.70	1.45	5.5
				330	30	0.7	●	●	–	22-24-26	1.35	1.20	3.5
4F				340	40	0.7	●	●	–	22-24-26	1.35	1.30	2.0

**Note:** Other types available on request, based on existing contact configurations of the B series.

<sup>1)</sup> see calculation method, caution and suggested standard on pages 35 and 36.

<sup>2)</sup> the mentioned AWG range apply to the standard crimp contact of fig.1. Contacts with reduced crimp barrel are available for smaller conductor. See page 20 for explanation and availability.

## Multipole

	Male crimp contacts	Female crimp contacts	Reference	Number of contacts	ø A (mm)	Contact type			AWG <sup>2)</sup>	Test voltage (kV rms) <sup>1)</sup> Contact-contact	Test voltage (kV rms) <sup>1)</sup> Contact-shell	Rated current (A) <sup>1)</sup>
						Crimp	Print (straight)	Print (elbow)				
5F			350	50	0.9	●	●	-	20-22-24	1.20	1.45	6.0
			354	54	0.9	●	●	-	20-22-24	2.00	2.10	5.0
			355	55	0.9	●	●	-	20-22-24	2.00	2.10	5.0
			364	64	0.9	●	●	-	20-22-24	1.35	1.85	3.0
			366	66	0.9	●	●	-	20-22-24	1.30	1.80	3.0

## Multi fibre and Mixed fibre optic + LV

	Male crimp contacts	Female crimp contacts	Reference	Fibre optic No	Low Voltage contact						
					Contact No	ø A (mm)	Contact type	Crimp contact		Rated current (A)	
						Crimp	Test voltage (kV rms) <sup>1)</sup> Contact-contact	Test voltage (kV rms) <sup>1)</sup> Contact-shell			
2F			03A	2	-	-	-	-	-	-	-
			93B	2	4	0.7	●	0.85	1.25	6.0	

**Note:** Other types available on request, based on existing contact configurations of the B series.

<sup>1)</sup> see calculation method, caution and suggested standard on pages 35 and 36.

<sup>2)</sup> the mentioned AWG range apply to the standard crimp contact of fig.1. Contacts with reduced crimp barrel are available for smaller conductor. See page 20 for explanation and availability.

## Housings

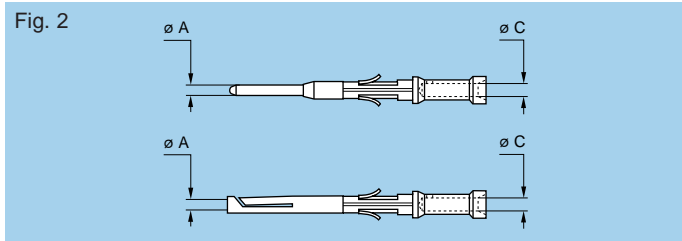
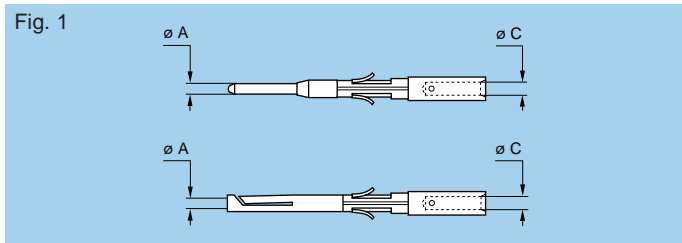
Ref.	Outer shell		Latch sleeve		Gaskets	Note
	Material	Surface treatment	Material	Surface treatment		
X	Avional	Nickel <sup>1)</sup>	Special bronze/brass	Nickel	FPM/FKM	0F to 5F
Y	Avional	Nickel <sup>1)</sup>	Beryllium copper	Nickel	FPM/FKM	FF to 4F
C	Brass	Chrome	Special bronze/brass	Nickel	Silicone MQ/MVQ	FF to 5F

Note: <sup>1)</sup> anthracite colour

## Electrical Contacts

### Crimp contacts for plugs, free or fixed sockets

There are 2 forms of crimp barrels:  
 – per fig. 1, the standard design  
 – per fig. 2, with reduced crimp barrel for small conductors.



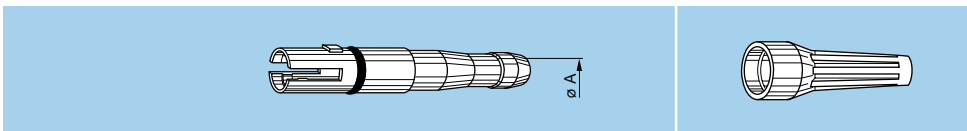
Ref.	Contact type	Ref.	Contact type
C	Male crimp (fig. 1)	M	Female crimp (fig. 1)
B	Male crimp (fig. 2)	P	Female crimp (fig. 2)
G	Male crimp (fig. 2)	U	Female crimp (fig. 2)
D	Male straight print	N	Female straight print
Z	No contact (for multi FO)	V	Male or female elbow print

### Dimension of crimp barrels

Contact			Ref. contact type		Conductor			
ø A (mm)	ø C (mm)	Form per fig.	Male	Female	AWG		Section (mm <sup>2</sup> )	
					min.	max.	min.	max.
0.5	0.45	1	C	M	32	28	0.035	0.09
					26	22	0.140	0.34
0.7	0.80	1	C	M	32	28	0.035	0.09
					24	20	0.250	0.50
	0.80	2	B	P	26	22	0.140	0.34
0.9	0.45	2	G	U	32	28	0.035	0.09
					20	18	0.500	1.00
1.3	1.40	1	C	M				

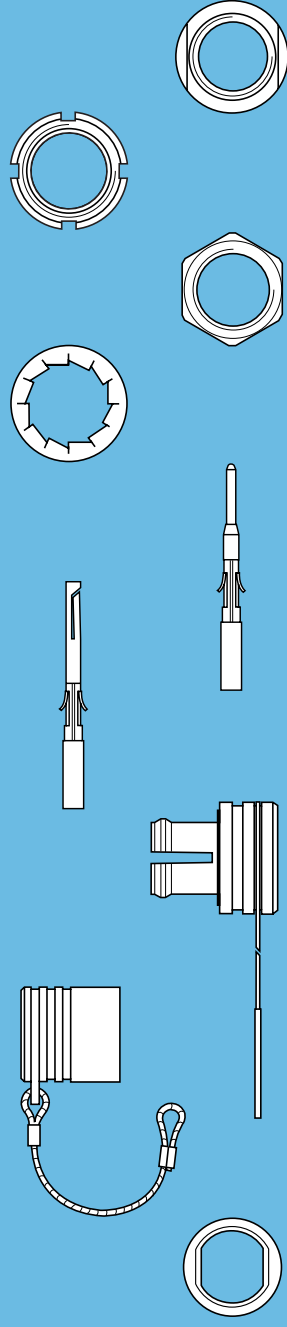
## Cable Fixing (multifibre or mixed FO+LV)

### T type cable adapter

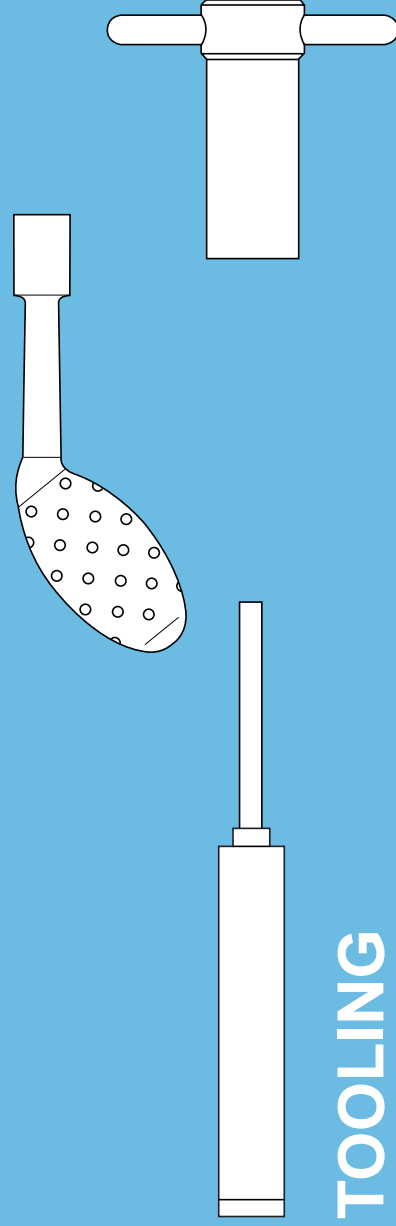


Reference	Adapter ø A	Cable ø		Adapter with gasket part number	Bend relief to be used <sup>1)</sup>
		max.	min.		
<b>2F</b>	T46N	4.6	4.5 3.6	FGG.2F.846.TNV	GMA.2B.040.D●
	T56N	5.6	5.5 4.6	FGG.2F.856.TNV	GMA.2B.050.D●
	T66N	6.6	6.5 5.6	FGG.2F.866.TNV	GMA.2B.060.D●

Note: <sup>1)</sup> a black bend relief is supplied with the plug.



## ACCESSORIES



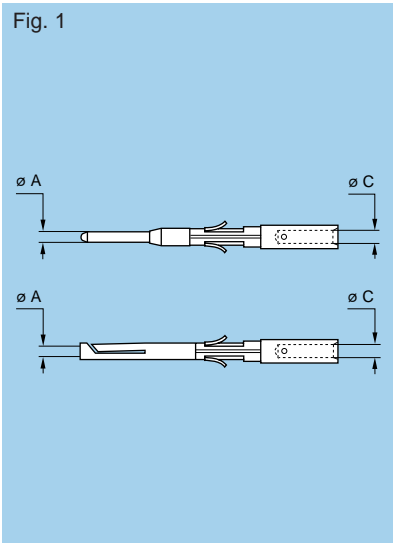
## TOOLING



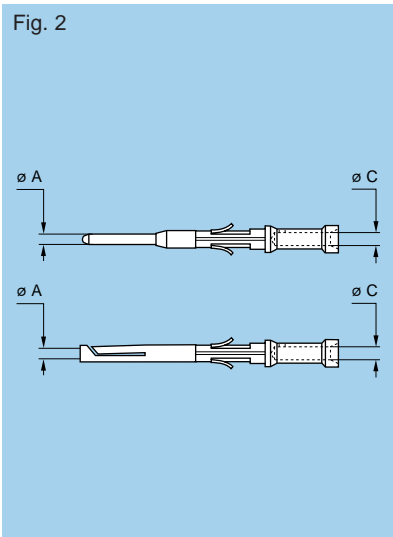


# Accessories

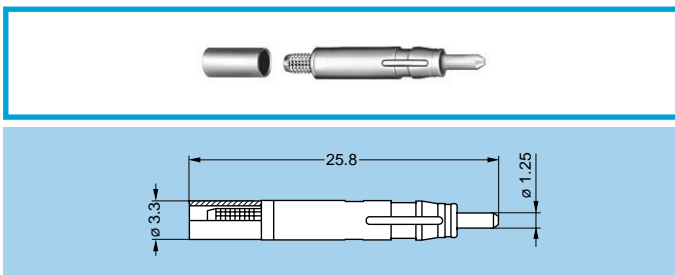
## FGG-EGG Crimp Contacts



	Contact (mm)		Contact part number			
	ø A	ø C	male for plug	female for socket	male for socket	female for plug
<b>FF</b>	0.5	0.45	FGG.00.554.ZZC	EGG.00.654.ZZM	FGG.00.554.ZZC	EGG.00.654.ZZM
	0.9	1.10	FGG.0B.560.ZZC	EGG.0B.660.ZZM	FGG.0B.560.ZZC	EGG.0B.660.ZZM
<b>0F</b>	0.7	0.80	FGG.0B.555.ZZC	EGG.0B.655.ZZM	FGG.0B.555.ZZC	EGG.0B.655.ZZM
	1.3	1.40	FGN.1F.565.ZZC	EGN.1F.665.ZZM	FGN.1F.565.ZZC	EGN.1F.665.ZZM
<b>1F</b>	0.9	1.10	FGG.0B.560.ZZC	EGG.0B.660.ZZM	FGG.0B.560.ZZC	EGG.0B.660.ZZM
	0.7	0.80	FGG.0B.555.ZZC	EGG.0B.655.ZZM	FGG.0B.555.ZZC	EGG.0B.655.ZZM
<b>2F</b>	0.9	1.10	FGG.0B.560.ZZC	EGG.0B.660.ZZM	FGG.0B.560.ZZC	EGG.0B.660.ZZM
	0.7	0.80	FGG.0B.555.ZZC	EGG.0B.655.ZZM	FGG.0B.555.ZZC	EGG.0B.655.ZZM
<b>3F</b>	0.7	0.80	FGG.0B.555.ZZC	EGG.0B.655.ZZM	FGG.0B.555.ZZC	EGG.1B.655.ZZM
<b>4F</b>	0.7	0.80	FGG.2B.555.ZZC	EGG.0B.655.ZZM	FGG.0B.555.ZZC	EGG.2B.655.ZZM
<b>5F</b>	0.9	1.10	FGG.3B.560.ZZC	EGG.3B.660.ZZM	FGG.3B.560.ZZC	EGG.3B.660.ZZM

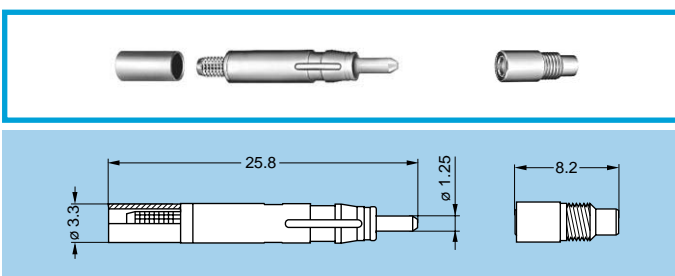


	Contact (mm)		Contact part number			
	ø A	ø C	male for plug	female for socket	male for socket	female for plug
<b>0F</b>	0.9	0.80	FGG.0B.561.ZZC	EGG.0B.661.ZZM	FGG.0B.561.ZZC	EGG.0B.661.ZZM
		0.45	FGG.0B.562.ZZC	EGG.0B.662.ZZM	FGG.0B.562.ZZC	EGG.0B.662.ZZM
<b>1F</b>	0.9	0.80	FGG.0B.561.ZZC	EGG.0B.661.ZZM	FGG.0B.561.ZZC	EGG.0B.661.ZZM
		0.45	FGG.0B.562.ZZC	EGG.0B.662.ZZM	FGG.0B.562.ZZC	EGG.0B.662.ZZM
<b>2F</b>	0.9	0.80	FGG.0B.561.ZZC	EGG.0B.661.ZZM	FGG.0B.561.ZZC	EGG.0B.661.ZZM
		0.45	FGG.0B.562.ZZC	EGG.0B.662.ZZM	FGG.0B.562.ZZC	EGG.0B.662.ZZM
<b>3F</b>	0.7	0.45	FGG.0B.556.ZZC	EGG.0B.656.ZZM	FGG.0B.556.ZZC	EGG.1B.656.ZZM
		0.7	0.45	FGG.0B.556.ZZC	EGG.0B.656.ZZM	FGG.0B.556.ZZC
<b>4F</b>	0.7	0.45	FGG.2B.556.ZZC	EGG.0B.656.ZZM	FGG.0B.556.ZZC	EGG.2B.656.ZZM
<b>5F</b>	0.9	0.80	FGG.3B.561.ZZC	EGG.3B.661.ZZM	FGG.3B.561.ZZC	EGG.3B.661.ZZM



### FFS.F7 Male F7 Fibre Optic Contact

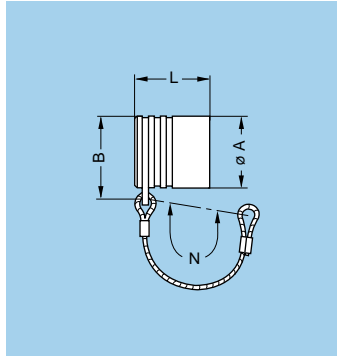
Part number	Ferrule hole ø (µm)	Fibre ø core/cladding (µm)	Note
FFS.F7.125.LCE23	125	9/125	●
FFS.F7.126.LCE23	126	50/125	●
FFS.F7.128.LCE23	128	62.5/125	○



### PSS.F7 Female F7 Fibre Optic Contact

Part number	Ferrule hole ø (µm)	Fibre ø core/cladding (µm)	Note
PSS.F7.125.LCE23	125	9/125	●
PSS.F7.126.LCE23	126	50/125	●
PSS.F7.128.LCE23	128	62.5/125	○

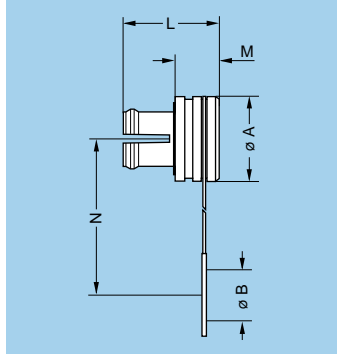
**Note:** alignment device part number: PSS.F7.290.NZZ



### BF● Plug caps, with keys (N or P)

Part number	Series	Dimensions (mm)			
		A	B	L	N
BF●.1F.100.PCSG	1F	12.0	13.3	12.6	62
BF●.2F.100.PCSG	2F	15.0	16.4	12.8	75

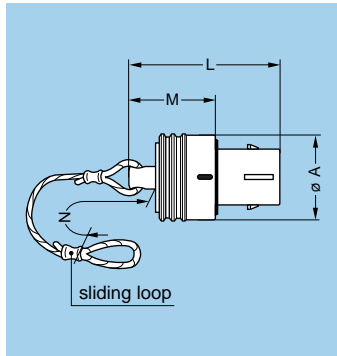
- Body material: PA6.6 grey
- Cord material: Polyamide 6
- Maximum operating temperature: 100°C
- Protection index: IP51 according to IEC 60529



### BRA Blanking caps for fixed sockets

Part number	Series	Dimensions (mm)				
		A	B	L	M	N
BRA.1F.200.PZSG	1F	14.0	13.7	12.1	5.3	65.5
BRA.2F.200.PZSG	2F	18.0	16.5	12.0	5.6	65.5

- Body material: PA6.6 grey
- Band: PET
- Maximum operating temperature: 100°C
- Protection index: IP51 according to IEC 60529

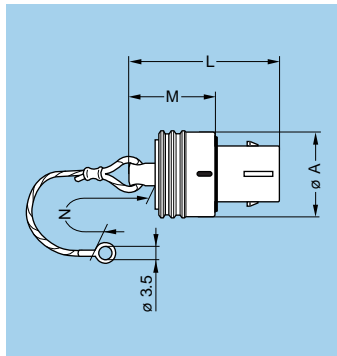


### BRF Blanking caps, with latching for free sockets

Part number	Series	Dimensions (mm)			
		A	L	M	N
BRF.FF.200.YAV	FF	8.5	21.9	13.9	60
BRF.0F.200.XAV	0F	12.0	25.4	15.5	85
BRF.1F.200.XAV	1F	14.0	25.7	15.5	85
BRF.2F.200.XAV	2F	17.0	25.7	15.5	85
BRF.3F.200.XAV	3F	19.0	25.7	15.5	120
BRF.4F.200.XAV	4F	26.0	31.9	21.7	120

**Note:** this cap is suitable for use with any alignment key configuration.

- Maximum operating temperature: 135°C
- Watertightness: IP67 according to IEC 60529

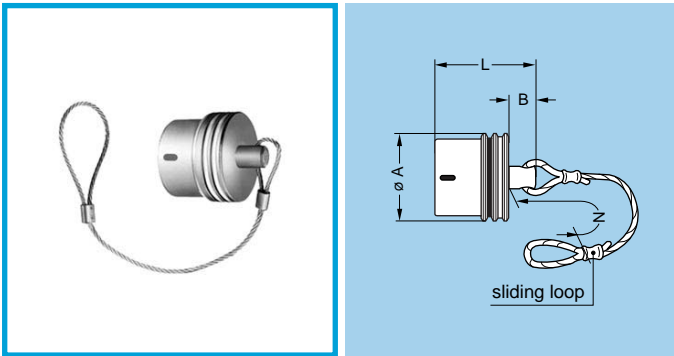


### BRE Blanking caps, with latching for fixed sockets

Part number	Series	Dimensions (mm)			
		A	L	M	N
BRE.FF.200.YAV	FF	8.5	21.9	13.9	60
BRE.0F.200.XAV	0F	12.0	25.4	15.5	85
BRE.1F.200.XAV	1F	14.0	25.7	15.5	85
BRE.2F.200.XAV	2F	17.0	25.7	15.5	85
BRE.3F.200.XAV	3F	19.0	25.7	15.5	120
BRE.4F.200.XAV	4F	26.0	31.9	21.7	120

**Note:** this cap is suitable for use with any alignment key configuration.

- Maximum operating temperature: 135°C
- Watertightness: IP67 according to IEC 60529



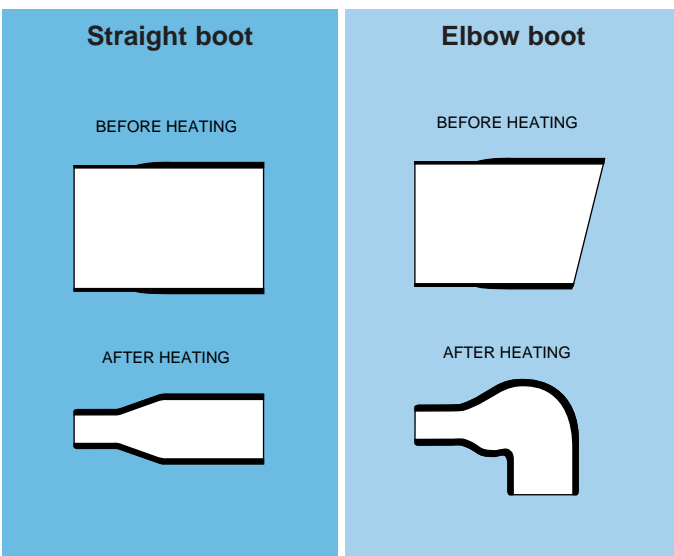
### BFG Plug caps

Part number	Series	Dimensions (mm)			
		A	B	L	N
BFG.FF.100.XAZ	FF	8.5	4	14	60
BFG.0F.100.XAZ	0F	12.0	6	18	85
BFG.1F.100.XAZ	1F	14.0	6	18	85
BFG.2F.100.XAZ	2F	17.0	6	18	85
BFG.3F.100.XAZ	3F	19.0	8	20	120
BFG.4F.100.XAZ	4F	26.0	8	20	120

**Note:** this cap is suitable for use with any alignment key configuration.

- Lanyard material: Stainless steel
- Crimp ferrule material: Nickel-plated brass + polyolefin

- Maximum operating temperature: 135°C
- Watertightness: IP67 according to IEC 60529

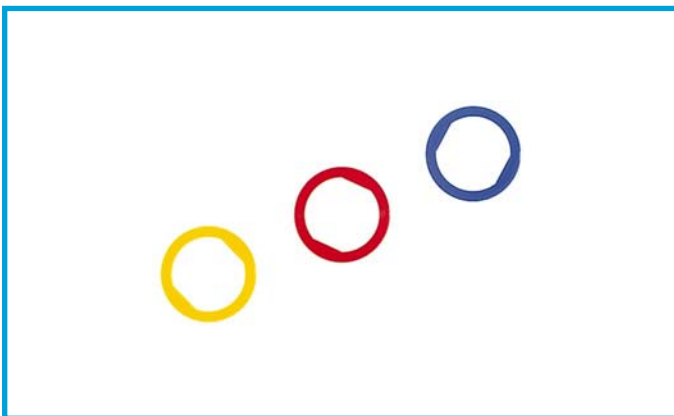


### Heatshrink boot

Supplier	Series	Part number		Note	cable ∅ min. (mm)
		Straight	Elbow 90°		
LEMO	FF	GMA.10.290.DN	GHA.10.210.DN	2)	2.2
Raychem®	0F-1F-2F-3F	202 A 111-25/86	222 A 111-25/86	1)	3.8
		202 A 111-25	222 A 111-25	2)	3.8
	1F-2F-3F-4F	202 A 121-25/86	222 A 121-25/86	1)	5.3
		202 A 121-25	222 A 121-25	2)	5.3
	4F-5F	202 A 142-25/86	222 A 142-25/86	1)	7.4
		202 A 142-25	222 A 142-25	2)	7.4
Hellerman®	0F-1F-2F-3F	104-1-G	1108-1-G	2)	3.8
	1F-2F-3F-4F	105-1-G	1106-1-G	2)	5.6
	4F-5F	101-1-G	1104-2-G	2)	7.1

**Note:**

- 1) modified elastomer resistant to fluids with hot melt sealant.
- 2) elastomer resistant to fluids. We recommend a thermosetting sealant with this type of boot.



### GRA Insulating washers

Part number	Series	Dimensions (mm)					
		A	B	E	L	M	T
GRA.0F.269.G●	0F	15	12.0	4	1.8	1.0	11
GRA.1F.269.G●	1F	19	15.0	4	2.0	1.1	14
GRA.2F.269.G●	2F	22	18.5	4	2.2	1.2	17
GRA.3F.269.G●	3F	24	20.5	4	2.2	1.2	19
GRA.4F.269.G●	4F	31	27.5	4	2.2	1.2	25
GRA.5F.269.G●	5F	40	36.5	4	2.2	1.2	34

For EG● sockets with a particular thread dimension, use B series insulating washers (see below).

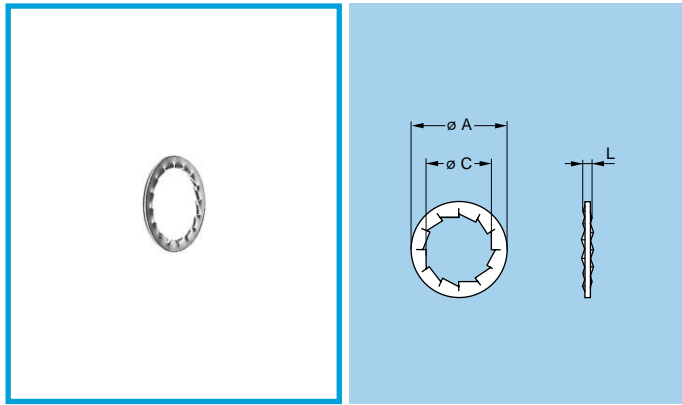
Part number	Series	Dimensions (mm)					
		A	B	E	L	M	T
GRA.0S.269.G●	0F	12	10.8	6.0	1.8	1.0	9.9
GRA.1S.269.G●	1F	16	13.8	6.5	1.8	1.0	12.2
GRA.2S.269.G●	2F	21	17.8	7.3	2.2	1.2	16.2
GRA.3S.269.G●	3F	25	21.8	10.3	2.2	1.2	20.2

**Note:** the last position "●" of the part number indicates the colour. To obtain the required colour, refer to the above table and change position "●" of the part number to the corresponding letter.

Ref.	Colour	Keying
A	blue	N-W
J	yellow	P

Ref.	Colour	Keying
R	red	S-X
V	green	T

- Material: Polyamide

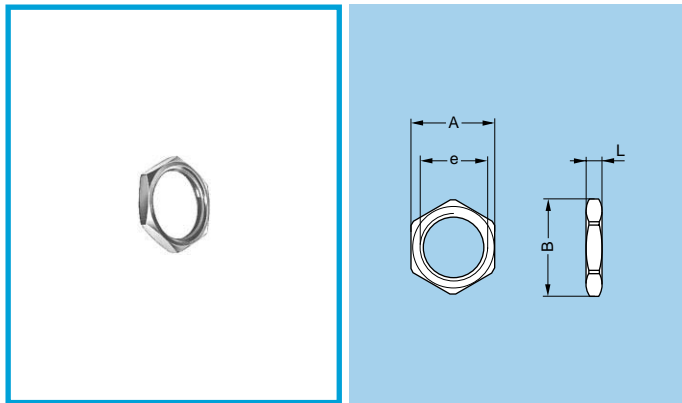


### GBA Locking washers

Part number	Series	Dimensions (mm)			For models
		A	C	L	
GBA.00.250.FN	FF	9.5	7.1	1.0	EC●
GBA.0S.250.FN	0F	12.5	9.1	1.0	EG●
GBA.1S.250.FN	1F	16.0	12.1	1.0	EG●
GBA.2S.250.FN	2F	19.5	15.1	1.2	EG●
GBA.3S.250.FN	3F	25.0	18.1	1.4	EG●, PE●, EE●, EH●

**Note:** to order this accessory separately, use the above part numbers.

- Material: Nickel-plated bronze (3 µm)

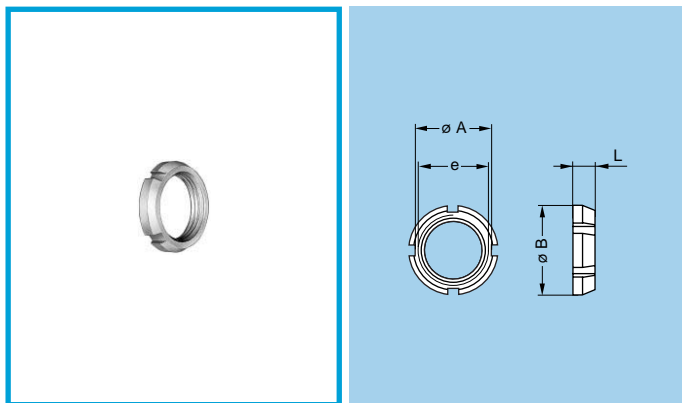


### GEA Hexagonal nuts

Part number	Series	Dimensions (mm)				For models
		A	B	e	L	
GEA.00.240.LN	FF	9	10.2	M7x0.50	2.0	EC●
GEA.0S.240.LN	0F	11	12.4	M9x0.60	2.0	EG●
GEA.1S.240.LN	1F	14	15.8	M12x1.00	2.5	EG●
GEA.2S.240.LN	2F	17	19.2	M15x1.00	2.7	EG●
GEA.3S.240.LN	3F	22	25.0	M18x1.00	3.0	EG●

**Note:** to order this part separately use the above part numbers.

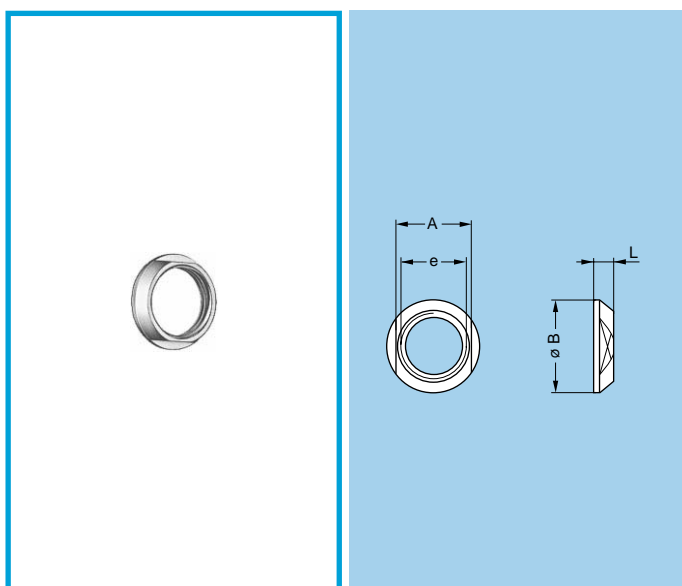
- Material: Nickel-plated brass (3 µm)



### GEG Notched nut

Part number	Series	Dimensions (mm)			
		A	B	e	L
GEG.00.240.RN	FF	8.7	10	M7x0.50	2.5

- Material: Avional nickel-anthracite



### GEC Conical nut

Part number	Series	Dimensions (mm)				For models
		A	B	e	L	
GEC.0F.240.R●	0F	11	13	M10x0.75	2.5	PE●, EE●, EH●, HE●
GEC.1F.240.R●	1F	14	17	M13x0.75	3.2	PE●, EE●, EH●, HE●
GEC.2F.240.R●	2F	17	20	M16x1.00	4.0	PE●, EE●, EH●, HE●
GEC.3F.240.R●	3F	19	22	M18x1.00	4.0	PE●, EE●, EH●, HE●
GEC.4F.240.R●	4F	25	29	M24x1.00	5.0	PE●, EH●, HE●
GEC.5F.240.R●	5F	34	38	M33x1.00	5.0	PE●, EH●, HE●

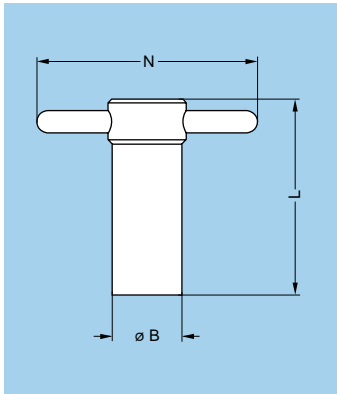
Ref.	Colour	Keying
A	blue	N-W
J	yellow	P

Ref.	Colour	Keying
R	red	S-X
V	green	T

**Note:** the last position "●" of the part number indicates the colour. To obtain the required colour, refer to the above table and change the position "●" of the part number to the corresponding letter.

- Material: Avional anodized

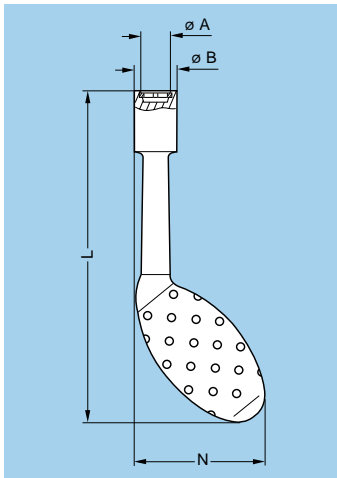
# Tooling



## DCG Spanners for hexagonal nuts

Part number	Dimensions (mm)			Part number of the nut
	B	L	N	
DCG.91.149.0TN	14	40	50	GEA.00.240.LN
DCG.91.161.1TN	16	45	52	GEA.0S.240.LN
DCG.91.201.4TN	20	52	65	GEA.1S.240.LN
DCG.91.231.7TN	23	62	68	GEA.2S.240.LN
DCG.91.282.2TN	28	76	73	GEA.3S.240.LN

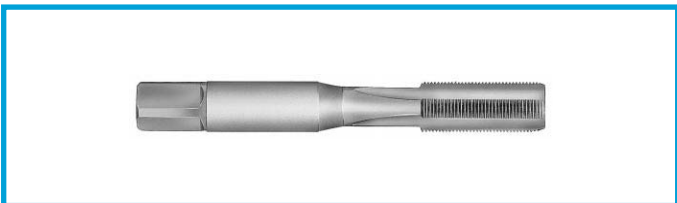
● Material: blackened steel



## DCH Spanners for notched nut

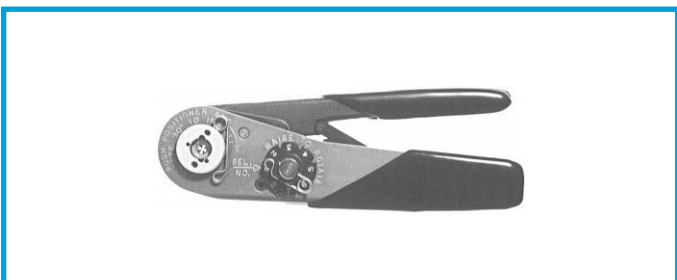
Part number	Dimensions (mm)				Part number of the nut
	A	B	L	N	
DCH.91.101.PA	10.1	12.8	124	48.3	GEG.00.240.RN

● Material: Blue polyurethane



## DTA Taps

Part number	Series	Thread
DTA.99.700.5Z	00	M7 x 0.5
DTA.99.900.6Z	0S-0B	M9 x 0.6



## DPC Manual crimping tool

Part number
DPC.91.701.V

According to specification MIL-C-22520/7-01.  
For LEMO contacts ø 0.5-0.7-0.9-1.3 mm

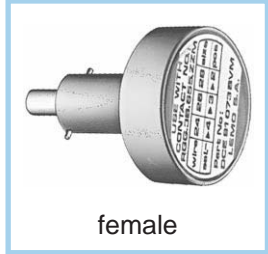


## Pneumatic crimping tools

Supplier	Part number
LEMO	DPC.91.701.C
BALMAR	85230
BUCHANAN	621101

According to specification MIL-C-22520/7-01.  
For LEMO contacts ø 0.5-0.7-0.9-1.3 mm

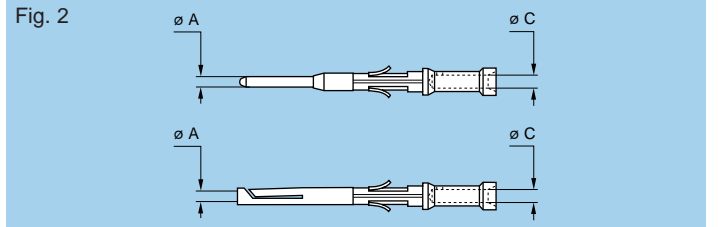
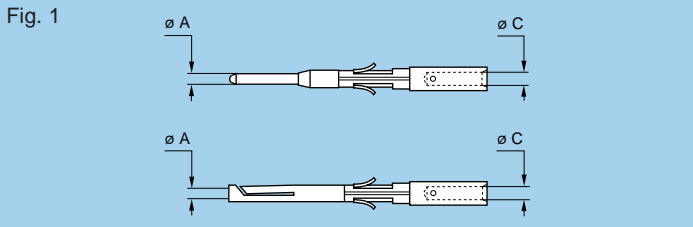
## DCE Positioners for crimp contacts $\varnothing$ 0.5-0.7-0.9 and 1.3 mm



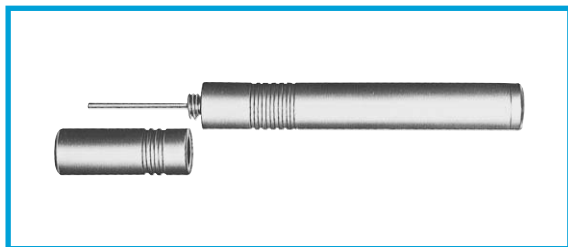
These positioners are suitable for use with both manual and pneumatic crimping tools according to the MIL-C-22520/7-01 standard.

	Connector + Contact					Positioners part number			
	Type	$\varnothing$ A	$\varnothing$ C	L <sub>g</sub>	Conductor AWG	For male contacts into plug	For female contacts into socket	For male contacts into socket	For female contacts into plug
<b>FF</b>	303 304	0.5	0.45	1	28-30-32	DCE.91.050.0VC	DCE.91.050.0VM	DCE.91.050.0VC	DCE.91.050.0VM
<b>0F</b>	302 303	0.9	1.10	1	20-22-24	DCE.91.090.BVC	DCE.91.090.BVM	DCE.91.090.BVC	DCE.91.090.BVM
		0.9	0.80	2	22-24-26	DCE.91.090.AVC	DCE.91.090.AVM	DCE.91.090.AVC	DCE.91.090.AVM
		0.9	0.45	2	28-30-32	DCE.91.070.BVC	DCE.91.070.BVM	DCE.91.070.BVC	DCE.91.070.BVM
<b>1F</b>	303	0.7	0.80	1	22-24-26	DCE.91.070.BVC	DCE.91.070.BVM	DCE.91.070.BVC	DCE.91.070.BVM
		0.7	0.45	2	28-30-32	DCE.91.070.BVC	DCE.91.070.BVM	DCE.91.070.BVC	DCE.91.070.BVM
	304 305	1.3	1.40	1	18-20	DCE.91.131.FVC	DCE.91.131.FVM	DCE.91.131.FVC	DCE.91.131.FVM
		0.9	1.10	1	20-22-24	DCE.91.090.BVC	DCE.91.090.BVM	DCE.91.090.BVC	DCE.91.090.BVM
<b>2F</b>	304 305	0.9	0.80	2	22-24-26	DCE.91.090.AVC	DCE.91.090.AVM	DCE.91.090.AVC	DCE.91.090.AVM
		0.9	0.45	2	28-30-32	DCE.91.070.BVC	DCE.91.070.BVM	DCE.91.070.BVC	DCE.91.070.BVM
	307/308	0.7	0.80	1	22-24-26	DCE.91.070.BVC	DCE.91.070.BVM	DCE.91.070.BVC	DCE.91.070.BVM
		0.7	0.45	2	28-30-32	DCE.91.070.BVC	DCE.91.070.BVM	DCE.91.070.BVC	DCE.91.070.BVM
<b>3F</b>	308 310	0.9	1.10	1	20-22-24	DCE.91.090.BVC	DCE.91.090.BVM	DCE.91.090.BVC	DCE.91.090.BVM
		0.9	0.80	2	22-24-26	DCE.91.090.AVC	DCE.91.090.AVM	DCE.91.090.AVC	DCE.91.090.AVM
	312 319	0.9	0.45	2	28-30-32	DCE.91.090.AVC	DCE.91.090.AVM	DCE.91.090.AVC	DCE.91.090.AVM
322 330		0.7	0.80	1	22-24-26	DCE.91.070.BVC	DCE.91.070.BVM	DCE.91.070.BVC	DCE.91.071.BVM
	<b>4F</b>	340	0.7	0.80	1	22-24-26	DCE.91.070.BVC	DCE.91.070.BVM	DCE.91.070.BVC
0.7			0.45	2	28-30-32	DCE.91.072.BVC	DCE.91.070.BVM	DCE.91.070.BVC	DCE.91.072.BVM
<b>5F</b>	350/354 355/364	0.9	1.10	1	20-22-24	DCE.91.093.BVC	DCE.91.093.BVM	DCE.91.093.BVC	DCE.91.093.BVM
		0.9	0.80	2	22-24-26	DCE.91.093.BVC	DCE.91.093.BVM	DCE.91.093.BVC	DCE.91.093.BVM
	366	0.9	0.80	2	22-24-26	DCE.91.093.BVC	DCE.91.093.BVM	DCE.91.093.BVC	DCE.91.093.BVM

**Note:** see table on page 20 for connector selection and the table on page 23 for contact selection.



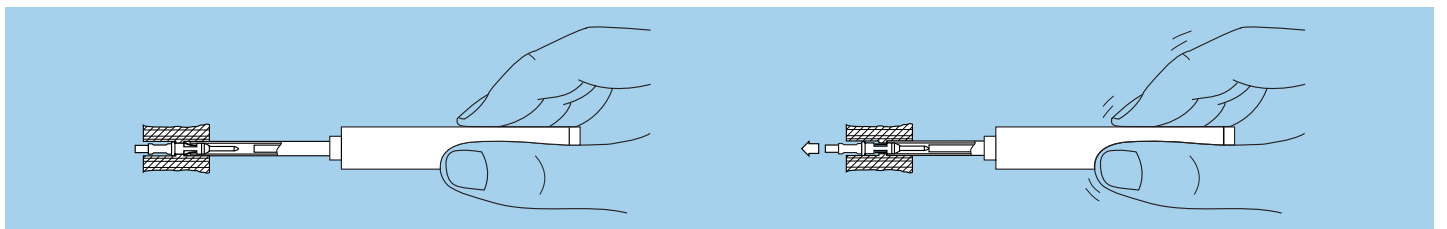
**Note:** a wide variation of strand number and diameter combinations are quoted as being AWG, some of which do not have a large enough cross section to guarantee a crimp as per either MIL-C-22520/1-01 or /7-01. Our technical department is at your disposal to study and propose a solution to all your applications.



### DCF Extractor for crimp contact

Contact $\varnothing$	Extractors
	Part number
1.3	DCF.91.131.2LT
0.9	DCF.91.090.2LT
0.7	DCF.91.070.2LT
0.5	DCF.91.050.2LT

**Note:** this model is used for male and female contacts.

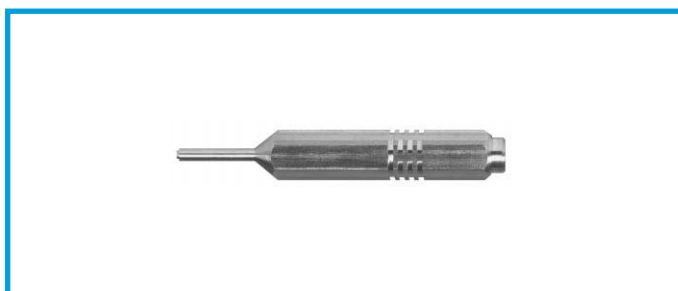




### Banding tool

	Part number		
	GLEN-AIR®	TIE-DEX®	AXON®
Banding tool	600-061	A30199	ACDBS100
Tie wrap	600-057	A31189	AXCL0Z

**Note:** the banding tool is to be used with screened cables to ensure a good ground contact.



### DCK Retention testing tools for crimp contacts 0.5-0.7-0.9 and 1.3 mm diameter

Contact ø A	Test force (N)	Testing tool part number	
		For male contact	For female contact
0.5	8	DCK.91.050.8LRC	DCK.91.050.8LRM
0.7	14	DCK.91.071.4LRC	DCK.91.071.4LRM
0.9	14	DCK.91.091.4LRC	DCK.91.091.4LRM
1.3	25	DCK.91.132.5LRC	DCK.91.132.5LRM



### DRV Complete workstation for F7 fibre optic contact

#### Description

Comprehensive range of tools for terminating both single-mode and multi-mode fibres. Includes specific tools for F7 fibre optic contacts. Detachable termination case lid for use as polishing platform during field termination. Rugged but aesthetically pleasing termination case which is ideal for field use or in-house terminations. Curing oven and inspection microscope should be ordered separately.

Part number
DRV.91.CF7.PN

**Note:** See details in F7 catalogue (page 10).



### DPE Crimping tool for F7 fibre optic contact

#### Description

Crimping tool for capturing KEVLAR® strand on contact body.

Part number
DPE.99.003.1K <sup>1)</sup>

**Note:** <sup>1)</sup> Included in the LEMO F7 workstation.



### WST Epoxy curing oven

#### Description

Oven for assisting in curing epoxy.

Part number	Voltage
WST.FR.220.VA	220 volts
WST.FR.110.VA	110 volts



### DCS Polishing tool for fibre optic contacts

#### Description

Precision tool for polishing terminated fibre optic contacts with 1.25 mm ferrule.

Part number
DCS.91.D01.LC <sup>1)</sup>

**Note:** <sup>1)</sup> Included in the LEMO F7 workstation.



### WST Fibre Inspection Microscope

#### Description

Microscope to assist in viewing termination operations and verifying fibre end finish. Zoom with 200 → 400 x magnification. See adaptor on page 30.

Part number

WST.FB.G00.301



### DCS Microscope adaptor for fibre optic contacts

#### Description

Adaptor for final inspection of fibre optic contacts with 1.25 mm ferrule.

To be used with microscope WST.FB.G00.301.

Part number

DCS.91.G90.6E125<sup>1)</sup>

Note: <sup>1)</sup> Included in the LEMO F7 workstation.



### DCS F7 contact alignment device tool

#### Description

Simple tool with two threaded end for installation/extraction of the F7 contact alignment device.

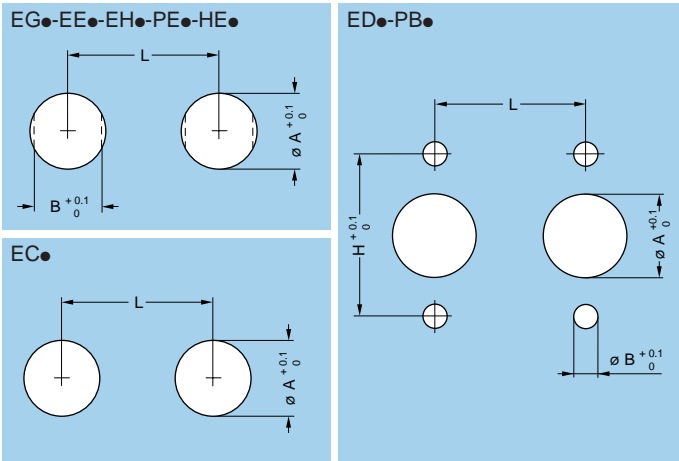
Part number

DCS.F7.035.PN<sup>1)</sup>

Note: <sup>1)</sup> Included in the LEMO F7 workstation.

## Panel cut-outs

### Panel cut-outs



### Mounting nut torque

Series	Torque (Nm)
FF	0.25
0F	1.0
1F	1.5
2F	2.0

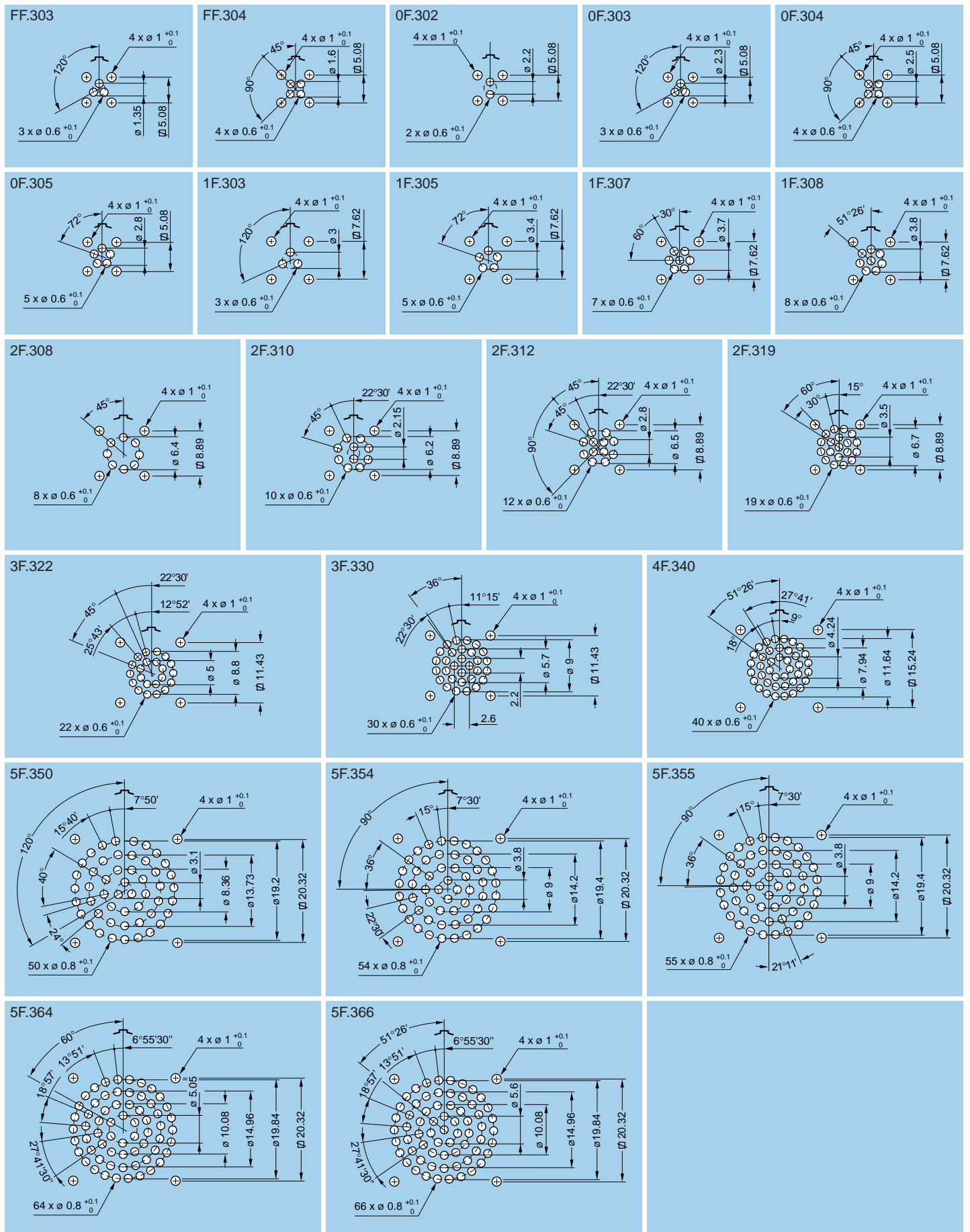
Series	Torque (Nm)
3F	2.5
4F	5.0
5F	8.0

Models				Series	Dimensions (mm)			
					A	B	L	H
EC●				FF	7.1	–	11.5	–
–	–	HE●	PE●	FF	7.1	6.5	11.5	–
EE●	EH●	HE●	PE●	0F	10.1	9.1	16.0	–
EE●	EH●	HE●	PE●	1F	13.1	11.6	20.0	–
EE●	EH●	HE●	PE●	2F	16.1	14.6	23.0	–
EE●	EH●	HE●	PE●	3F	18.2	16.6	25.0	–
–	EH●	HE●	PE●	4F	24.2	22.1	32.0	–
–	EH●	HE●	PE●	5F	33.2	31.1	41.0	–
EG●				0F	9.1	8.3	13.5	–
EG●				1F	12.1	10.6	17.0	–
EG●				2F	15.1	13.6	21.5	–
EG●				3F	18.2	16.6	27.0	–
ED●				1F	11.4	3.5	15.0	19.3
PB●				0F	11.1	3.2	16.0	21.4
PB●				1F	13.1	3.2	16.0	21.4
PB●				2F	16.1	3.2	19.0	25.9
PB●				3F	17.6	3.2	21.0	29.0
PB●				4F	23.2	3.2	27.0	32.0
PB●				5F	32.3	3.2	34.0	38.2

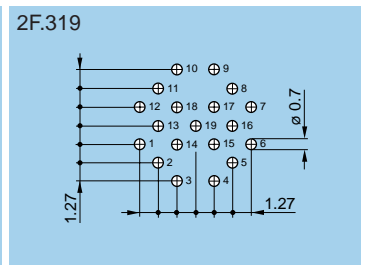
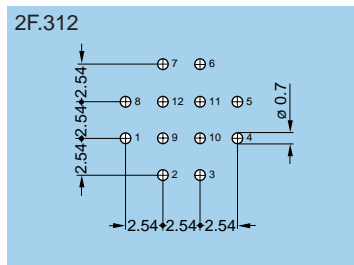
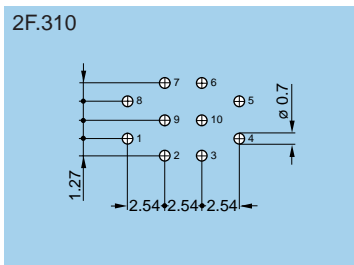
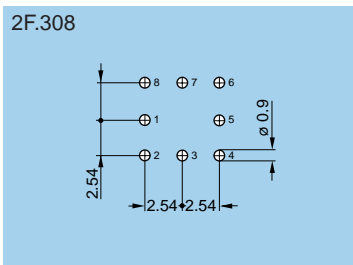
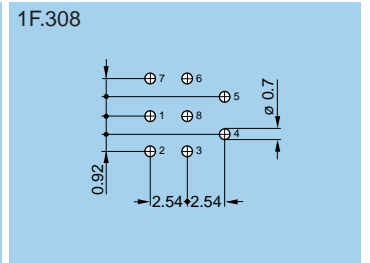
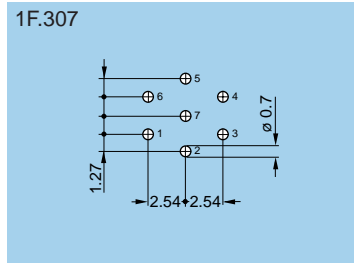
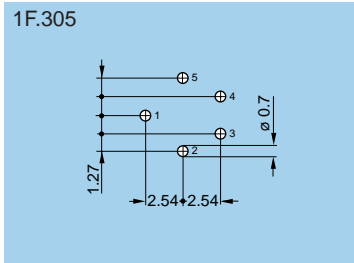
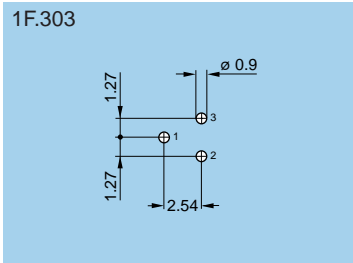
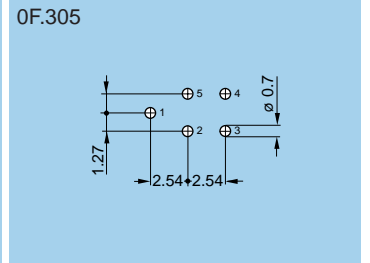
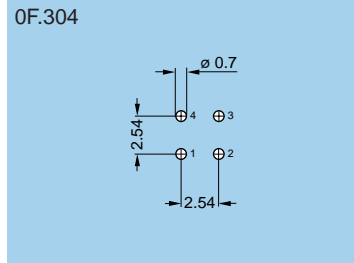
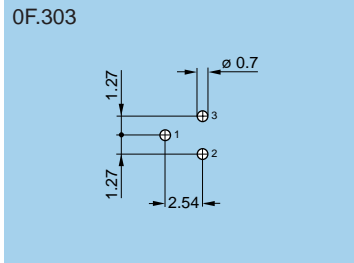
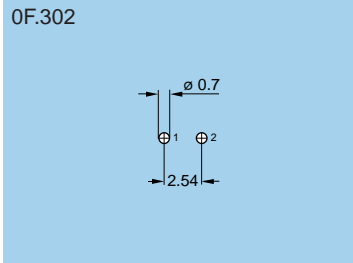
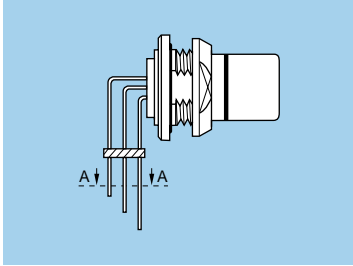


# PCB drilling pattern

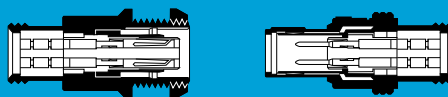
## Fixed socket with straight print contact



**Fixed socket with elbow print contact**

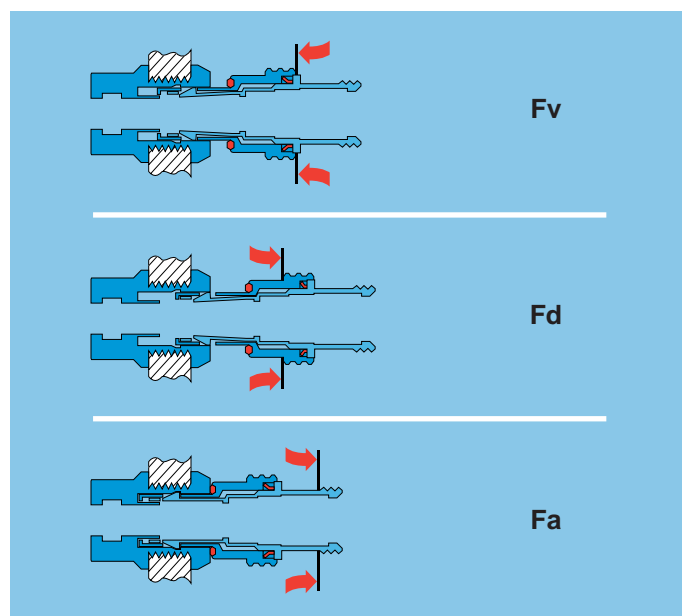


## Technical characteristics



### Outer shell

#### Mechanical latching characteristics



Force (N)	Series						
	FF	0F	1F	2F	3F	4F	5F
Fv	13	12	14	23	24	30	36
Fd	14	10	12	12	14	25	32
Fa	90	150	150	150	150	150	150

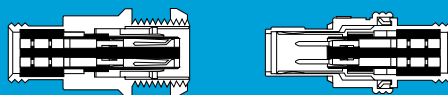
**Notes:** forces were measured on outer shells **not fitted with contacts**. Shell material code are: «Y» for FF series; «X» for 0F to 5F.

1N = 0.102 kg.

F<sub>v</sub>: average latching force.

F<sub>d</sub>: average unmating force with axial pull on the outer shell.

F<sub>a</sub>: average pull-out force with axial pull on the back shell.



### Insulator

Plastic material used by LEMO for manufacturing insulators is selected according to the electric and thermal properties required for the various connector types. Characteristics examined for the two connector types are:

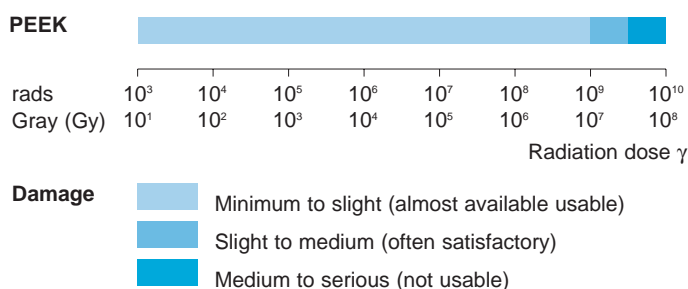
- Dielectric strength
- Comparative tracking index
- Surface and volume resistivity
- Continuous service temperature
- Water absorption
- Radiation resistance
- Flammability rating
- Resistance to hydrocarbon.

#### Mechanical and electrical properties

Mechanical characteristics of thermoplastics, such as PEEK, are improved by the addition of glass fibres. By adding glass fibres in the resin the performance of this material (mechanical strength and radiation resistance) is enhanced and water absorption rate is reduced. From an electric point of view, the addition of glass fibres improves dielectric strength.

PEEK is selected as it provides all the required characteristics for multipole connectors.

#### Radiation resistance



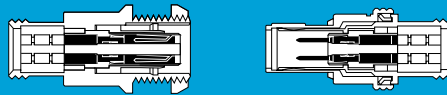
**Note:** technical data in this chapter provide general information on plastics used by LEMO as electrical insulators. LEMO reserves the right to propose new materials with better technical characteristics, and to withdraw, without notice, any material mentioned in the present catalogue or any other publications edited by LEMO S.A. and/or its subsidiaries. LEMO SA and its subsidiaries use only plastic granules, powder or bars supplied by specialized companies, and thus cannot in any case take responsibility with regard to this material.

## Technical characteristics of plastic materials

Type	Norme	Units	PEEK	Silicone	FPM/FKM	Epoxy
Density	ASTM D 792	–	1.3-1.4	~1.2	~1.9	1.58
Tensile strength (at 23°C)	ASTM D 638/ ISO R527	MPa	92-142	> 9	> 12	16
Flexurale strength (at 23°C)	ASTM D 790/ ISO R178	MPa	170	–	–	24
Dielectric strength	ASTM D 149/IEC 60243	kV/mm	19-25	18-30	–	15
Volume resistivity at 50% HR and 23°C	ASTM D 257/IEC 60093	$\Omega \bullet \text{cm}$	$10^{16}$	$10^{14}$	–	$10^{14}$
Surface resistivity	ASTM D 257	$\Omega$	$10^{15}$	–	–	–
Thermal conductivity	ASTM C 177	W/K $\bullet$ m	0.25	–	–	0.8
Comparative tracking index	IEC 60112	V	CTI 150	–	–	CTI>600
Dielectric constant (10 <sup>6</sup> Hz)	ASTM D 150/IEC 60250	–	3.2-3.5	–	–	–
Dissipation factor (10 <sup>6</sup> Hz)	ASTM D 150/IEC 60250	–	< 0.005	–	–	–
Maximum continuous service temperature	UL 746	°C	250	200	200	80
Minimum continuous service temperature	UL 746	°C	-50	-50	-20	-20
Maximum short-time service temperature	–	°C	300	> 250	300	120
Water absorption in 24h at 23°C	ASTM D 570/ISO R62A	%	< 0.3	–	–	0.25
Radiation resistance	–	Gy <sup>1)</sup>	$10^7$	$10^5$	$8 \times 10^4$	$2 \times 10^6$
Flammability rating	ASTM D 635/UL 94	–	V-0/3.2	–	–	V-0/4

Notes: 1) 1 Gy (Gray) = 100 rad

ASTM = American Society for Testing Material  
 ISO = International Standards Organisation  
 UL = Underwriters Laboratories  
 IEC = International Electrotechnical Commission

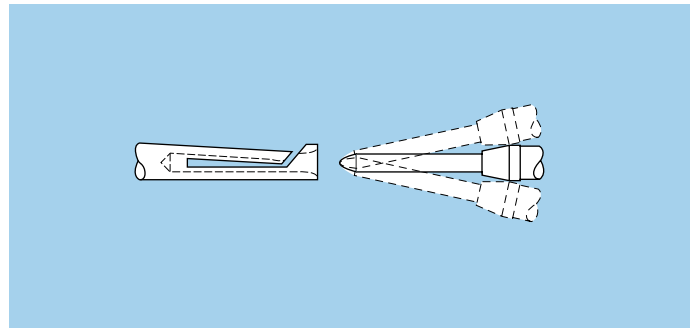


## Electrical contact

### Technical description

The secure reliable electromechanical connection achieved with LEMO female cylindrical contacts is mainly due to two important design features:

1. *Prod proof entry* on the mating side which ensures perfect concentric mating even with carelessly handled connectors.
2. *The pressure spring*, with good elasticity, maintains a constant even force on the male contact when mated. The leading edge of the pressure spring preserves the surface treatment (gold-plated) and prevents undue wear.



### Contact material and treatment

LEMO female contacts are made of bronze beryllium (QQ-C-530) or bronze (UNS C 54400). These materials are chosen because of their high modulus of elasticity, their excellent electrical conductivity and a high mechanical strength. LEMO male print contacts are made of brass (UNS C 38500). Male crimp contacts are made of brass (UNS C 34500) or annealed brass (UNS C 38500) with optimum hardness (HV) for crimping onto the wire.



Type	Material (standard)	Surf. treatment ( $\mu\text{m}$ )		
		Cu	Ni	Au <sup>1)</sup>
Male crimp	Brass (UNS C 34500)	0.5	3	1.0
Male print	Brass (UNS C 38500)			
Female crimp	Bronze (UNS C 54400)	0.5	3	1.5
Female print	Cu-Be (FS QQ-C-530)			
Clips	Cu-Be (FS QQ-C-530)	–	–	–
	Stainless steel			
Wire <sup>2)</sup>	Brass	–	3 <sup>3)</sup>	–

Notes: the standard surface treatment are as follows:

– nickel: FS QQ-N-290A or MIL-C-26074C

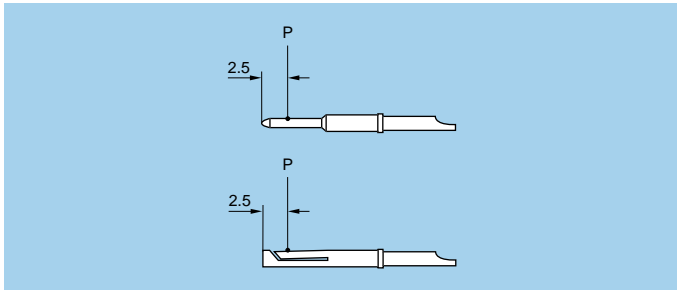
– gold: ISO 4523.

<sup>1)</sup> minimum value

<sup>2)</sup> for elbow print contacts

<sup>3)</sup> treatment completed by 6  $\mu\text{m}$  Sn-Pb tin-plating

## Thickness comparison between the outside and the inside of female contacts



Contact ∅ A (mm)	Gold thickness		
	male (µm)	female	
		outside (µm)	inside (%)
0.5	1.0	1.5	65
0.7	1.0	1.5	70
0.9	1.0	1.5	75
1.3	1.0	1.5	75

**Note:** P = inspection point

## Crimp contacts

The square form crimp method is used (MIL-C-22520F, class I, type 2) photo 1 for unipole contacts.

For multipole contacts the standard four identer crimp method is used, (MIL-C-22520F, class I, type 1), photo 2. The crimp method requires a controlled compression to obtain a symmetrical deformation of the conductor strand and of the contact material. The radial hole in the side of the contact makes it possible to check whether the conductor is correctly positioned within the contact. A good crimping is characterized by only slightly reduced conductor section and practically no gap.

For optimum crimping of bronze or brass contacts they are annealed to relieve internal stress and reduce material hardening during the crimping process.

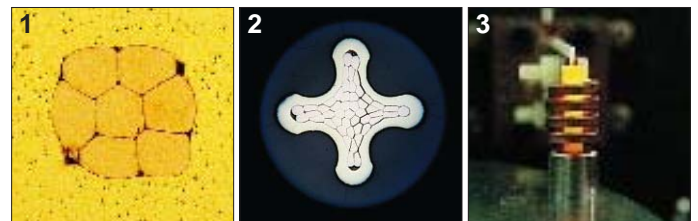
Only the crimping zone is annealed with the help of an induction heating machine designed by the LEMO Research and Development Department (see photo 3).

## Advantages of crimping

- practical, quick contact fixing outside the insulator
- possible use at high temperature
- no risk of heating the insulator during the conductor-contact fixing
- high tensile strength

Crimp contacts are available in standard version (form 1) for mounting maximum size conductors.

For some dimensions, these crimp contacts can be produced with reduced crimp barrels (form 2) for mounting reduced size conductors.



## Test voltage

Test voltage ( $U_e$ ):  
(measured according to the IEC 60512-2 test 4a standard)

It corresponds to 75% of the mean breakdown voltage.  
Test voltage is applied at 500 V/s and the test duration is 1 minute.

This test has been carried out with a mated plug and socket, with power supply only on the plug end.

Operating voltage ( $U_s$ ):  
It is proposed according to the following ratio:  $U_s = \frac{U_e}{3}$

### Caution:

**For a number of applications, safety requirements for electrical appliances are more severe with regard to operating voltage.**

**In such cases operating voltage is defined according to creepage distance and air clearance) between live parts.**

**Please consult us for the choice of a connector by indicating the safety standard to be met by the product.**

Voltage values are given in the table on insulator types for each series.

They correspond with values measured at sea level. They are adapted to all applications up to an altitude of 2000 m.

In case a device is used at a higher altitude, air clearance between live parts has to be multiplied by the following coefficients.

It means also that test voltage has to be divided by this coefficient.

altitude (m)	coefficient
2000	1.00
3000	1.14
4000	1.29
5000	1.48

## Rated current

(measured according to IEC 60512-3 test 5a)

The specified rated current can be applied simultaneously to all the contacts. It corresponds with an average temperature rise of 40°C of the connector.

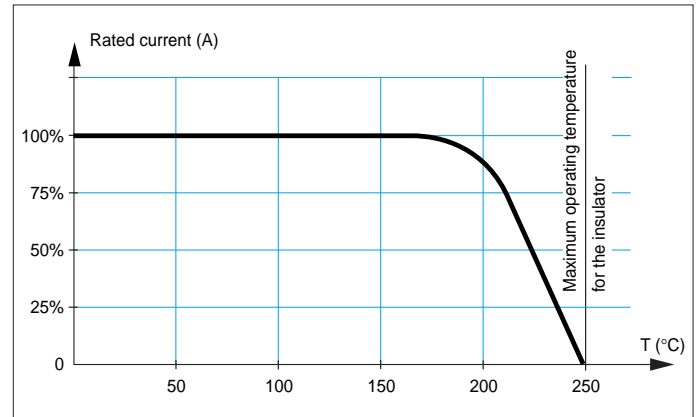
The current values are indicated in the table of insulator types in each series.

For use at higher temperatures acceptable rated current will be lower. It tends towards zero as the material is used at the maximum operating temperature accepted for the insulator.

In most case the current depend on the conductor dimension (see table on page 39) or on the printed circuit dimension.

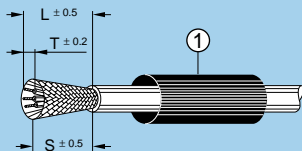
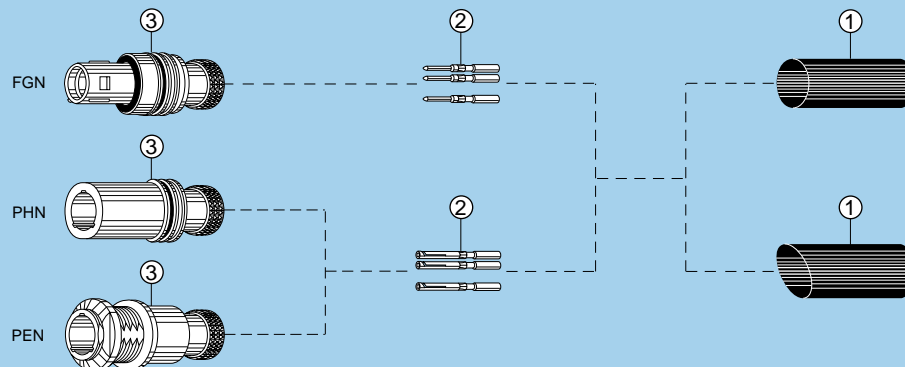
**Caution: In general, connectors should not be unmated while live.**

For connectors with PEEK insulator, maximum admissible current will follow the curve below depending on the operating temperature T.



# Assembly instructions

## Assembly instructions for plugs and sockets



### 1. Cable preparation

First place the heatshrink boot ① over the cable. Strip the cable according to dimensions of the table, then widen the shield.

Series	L	S	T
FF	14	14	3
0F-5F	14	14	4

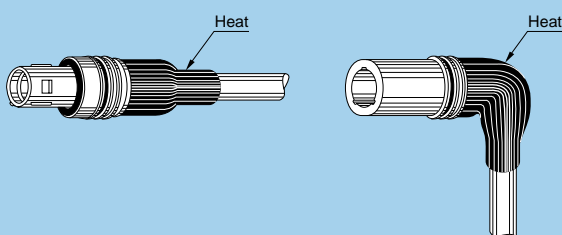
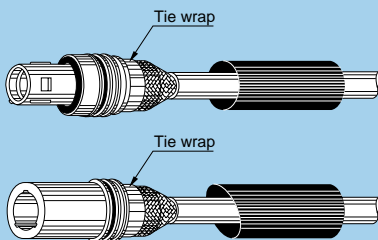
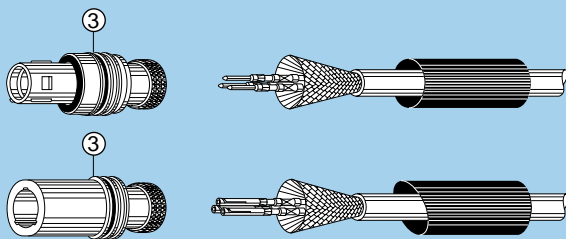
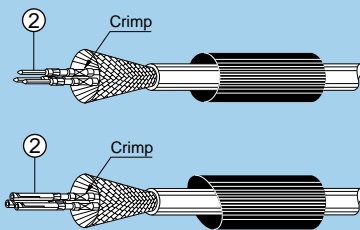
### 2. Cable termination

**2.1** With shielded cables, widen and pull the shield all the way to the back. Fix the appropriate positioner onto the crimping tool and set the selector to the number corresponding to the AWG of the conductor used as indicated on the positioner label. Fit the conductor into the contact ②; make sure it is visible through the contact's inspection hole. Slide the conductor-contact assembly into the open crimping tool; make sure that the contact is pushed fully into the positioner. Close the tool. Remove from crimping tool and check that conductor is secure in contact and shows in inspection hole.

**2.2** Arrange the conductor-contact assemblies according to the markings, into the rear cable seal. Push them deeply into the insulator, using tweezers if necessary; check that all the contacts are correctly located in the insulator: 1) by verifying the alignment of the contacts at the front of the insulator and 2) by gently pulling on each conductor. Verification should also be made using the appropriate retention testing tool. With FF series the rear cable seal can be replaced with a silicone RTV compound that is filled on the rear of the connector once the contacts are correctly installed.

**2.3** Bring the shield around the rear of connector. Secure it with a band-it tie-wrap (not furnished) to fix the shield in place. Cut off the possible shield surplus.

**2.4** Put the heatshrink boot in place and heat gently until it retracts.



## Technical tables

**Table of American Wire Gauge**

AWG	Construction		ø wire max		Wire section	
	Strand nb	AWG/strand	(mm)	(in)	(mm <sup>2</sup> )	(sq in)
4	133	25	6.9596	0.274	21.5925	0.0335
6	133	27	5.5118	0.217	13.5885	0.0211
8	168	30	4.4450	0.175	8.5127	0.0132
8	133	29	4.3942	0.173	8.6053	0.0133
10	105	30	3.3020	0.13	5.3204	0.0082
10	37	26	2.9210	0.115	4.7397	0.0073
10	1	10	2.6162	0.103	5.2614	0.0082
12	65	30	2.5146	0.099	3.2936	0.0051
12	37	28	2.3114	0.091	2.9765	0.0046
12	19	25	2.3622	0.093	3.0847	0.0048
12 <sup>1)</sup>	7	20	2.5400	0.1	3.6321	0.0056
12	1	12	2.0828	0.082	3.3081	0.0051
14	41	30	2.0574	0.081	2.0775	0.0032
14	19	27	1.8542	0.073	1.9413	0.0030
14 <sup>1)</sup>	7	22	2.0828	0.082	2.2704	0.0035
14	1	14	1.6510	0.065	2.0820	0.0032
16 <sup>1)</sup>	65	34	1.5748	0.062	1.3072	0.0020
16	26	30	1.5748	0.062	1.3174	0.0020
16	19	29	1.4986	0.059	1.2293	0.0019
16 <sup>1)</sup>	7	24	1.5494	0.061	1.4330	0.0022
16	1	16	1.3208	0.052	1.3076	0.0020
18 <sup>1)</sup>	65	36	1.2700	0.05	0.8234	0.0013
18 <sup>1)</sup>	42	34	1.2700	0.05	0.8447	0.0013
18	19	30	1.3208	0.052	0.9627	0.0015
18	16	30	1.2954	0.051	0.8107	0.0013
18	7	26	1.2700	0.05	0.8967	0.0014
18	1	18	1.0414	0.041	0.8229	0.0013
20 <sup>1)</sup>	42	36	1.0160	0.04	0.5320	8.2x10 <sup>-4</sup>
20	19	32	1.0414	0.041	0.6162	0.0010
20	10	30	1.0160	0.04	0.5067	7.9x10 <sup>-4</sup>
20	7	28	0.9906	0.039	0.5631	8.7x10 <sup>-4</sup>
20	1	20	0.8382	0.033	0.5189	8.0x10 <sup>-4</sup>
22	19	34	0.8382	0.033	0.3821	5.9x10 <sup>-4</sup>
22	7	30	0.7874	0.031	0.3547	5.5x10 <sup>-4</sup>
22	1	22	0.6604	0.026	0.3243	5.0x10 <sup>-4</sup>
24 <sup>1)</sup>	42	40	0.6604	0.026	0.2045	3.2x10 <sup>-4</sup>
24	19	36	0.6858	0.027	0.2407	3.7x10 <sup>-4</sup>
24	7	32	0.6350	0.025	0.2270	3.5x10 <sup>-4</sup>
24	1	24	0.5588	0.022	0.2047	3.2x10 <sup>-4</sup>
26	19	38	0.5588	0.022	0.1540	2.4x10 <sup>-4</sup>
26	7	34	0.5080	0.02	0.1408	2.2x10 <sup>-4</sup>
26	1	26	0.4318	0.017	0.1281	2.0x10 <sup>-4</sup>
28 <sup>1)</sup>	19	40	0.4318	0.017	0.0925	1.4x10 <sup>-4</sup>
28	7	36	0.4064	0.016	0.0887	1.4x10 <sup>-4</sup>
28	1	28	0.3302	0.013	0.0804	1.2x10 <sup>-4</sup>
30	7	38	0.3302	0.013	0.0568	8.8x10 <sup>-5</sup>
30	1	30	0.2794	0.011	0.0507	7.9x10 <sup>-5</sup>
32	7	40	0.2794	0.011	0.0341	5.3x10 <sup>-5</sup>
32	1	32	0.2286	0.009	0.0324	5.0x10 <sup>-5</sup>
34	1	34	0.1693	0.007	0.0201	3.1x10 <sup>-5</sup>
36	1	36	0.127	0.005	0.0127	2.0x10 <sup>-5</sup>
38	1	38	0.1016	0.004	0.0081	1.3x10 <sup>-5</sup>
40	1	40	0.078	0.003	0.0049	7.5x10 <sup>-6</sup>

**Note:** 1) not included in the standard

**Table of wire gauges according to IEC-228 standard**

Conductor no x Ø (mm)	Max Ø (mm)	Max Ø (in)	Section (mm <sup>2</sup> )	Section (sq in)
196x0.40	7.50	0.295	25.00	0.0387
7x2.14	6.10	0.240	25.00	0.0387
125x0.40	6.00	0.236	16.00	0.0248
7x1.72	4.90	0.192	16.00	0.0248
1x4.50	4.50	0.177	16.00	0.0248
80x0.40	4.70	0.155	10.00	0.0155
7x1.38	3.95	0.155	10.00	0.0155
1x3.60	3.60	0.141	10.00	0.0155
84x0.30	3.70	0.145	6.00	0.0093
7x1.50	3.15	0.124	6.00	0.0093
1x2.76	2.76	0.108	6.00	0.0093
56x0.30	2.80	0.110	4.00	0.0062
7x0.86	2.58	0.098	4.00	0.0062
1x2.25	2.25	0.082	4.00	0.0062
50x0.25	2.15	0.084	2.50	0.0038
7x0.68	2.04	0.080	2.50	0.0038
1x1.78	1.78	0.070	2.50	0.0038
30x0.25	1.60	0.062	1.50	0.0023
7x0.52	1.56	0.061	1.50	0.0023
1x1.14	1.40	0.055	1.50	0.0023
32x0.20	1.35	0.053	1.00	0.0015
7x0.43	1.29	0.050	1.00	0.0015
1x1.15	1.15	0.045	1.00	0.0015
42x0.15	1.20	0.047	0.75	0.0011
28x0.20	1.15	0.045	0.75	0.0011
1x1.0	1.00	0.039	0.75	0.0011
28x0.15	0.95	0.037	0.50	7.7x10 <sup>-4</sup>
16x0.20	0.90	0.035	0.50	7.7x10 <sup>-4</sup>
1x0.80	0.80	0.031	0.50	7.7x10 <sup>-4</sup>
7x0.25	0.75	0.029	0.34	5.2x10 <sup>-4</sup>
1x0.60	0.60	0.023	0.28	4.3x10 <sup>-4</sup>
14x0.15	0.75	0.029	0.25	3.8x10 <sup>-4</sup>
7x0.20	0.65	0.023	0.22	3.4x10 <sup>-4</sup>
18x0.10	0.50	0.019	0.14	2.1x10 <sup>-4</sup>
14x0.10	0.40	0.015	0.11	1.7x10 <sup>-4</sup>
21x0.07	0.40	0.015	0.09	1.3x10 <sup>-4</sup>
14x0.10	0.40	0.015	0.09	1.3x10 <sup>-4</sup>



## Maximum current rating for conductor

Maximum current on insulated conductors up to an ambient temperature of 30° C (from VDE 0100, parts 430 and 532 as well as other VDE regulations).

Nominal section mm <sup>2</sup>	Group 2 Intens. max. A	Group 3 Intens. max. A
0.08	1.0	1.5
0.14	2.0	3.0
0.25	4.0	5.0
0.34	6.0	8.0
0.50	9.0	12.0
0.75	12.0	15.0
1.00	15.0	19.0
1.50	18.0	24.0
2.50	26.0	32.0

Group 2 Multi-conductor, e. g. solid cable under sheath, shielded cable, lead-sheath cables, ...  
 Group 3 Single conductor and single conductor cable laid on open air in a way to leave at least a space between them equal to their diameter

## Conversion of some units:

millimeters into inches:	1 mm = 0.0394 in
inches into millimeters:	1 in = 25.4 mm
centimeters into feet:	1 cm = 0.0328 ft
feet (12 in) into centimeters:	1 ft = 30.48 cm
square centimeters into square inches:	1 cm <sup>2</sup> = 0.155 sq in
square inches into square centimeters:	1 sq in = 6.4516 cm <sup>2</sup>
bar into pounds per square inch:	1 bar = 14.51 psi
bar into Pascal:	1 bar = 10 <sup>5</sup> Pa
°C into °F:	°F = °C•1.8 + 32
newtonmeter (Nm) into inch pound (in•lb)	1 Nm = 8.85 in•lb
mbar•l•s <sup>-1</sup> into Torr•l•s <sup>-1</sup>	1 mbar•l•s <sup>-1</sup> = 1.33 Torr•l•s <sup>-1</sup>

## Product safety notice

**PLEASE READ AND FOLLOW ALL INSTRUCTIONS CAREFULLY AND CONSULT ALL RELEVANT NATIONAL AND INTERNATIONAL SAFETY REGULATIONS FOR YOUR APPLICATION. IMPROPER HANDLING, CABLE ASSEMBLY, OR WRONG USE OF CONNECTORS CAN RESULT IN HAZARDOUS SITUATIONS.**

### **1. SHOCK AND FIRE HAZARD**

Incorrect wiring, the use of damaged components, presence of foreign objects (such as metal debris), and / or residue (such as cleaning fluids), can result in short circuits, overheating, and / or risk of electric shock.

Mated components should never be disconnected while live as this may result in an exposed electric arc and local overheating, resulting in possible damage to components.

### **2. HANDLING**

Connectors and their components should be visually inspected for damage prior to installation and assembly. Suspect components should be rejected or returned to the factory for verification.

Connector assembly and installation should only be carried out by properly trained personnel. Proper tools must be used during installation and / or assembly in order to obtain safe and reliable performance.

### **3. USE**

Connectors with exposed contacts should never be live (or on the current supply side of a circuit). Under general conditions voltages above 30 VAC and 42 VDC are considered hazardous and proper measures should be taken to eliminate all risk of transmission of such voltages to any exposed metal part of the connector.

### **4. TEST AND OPERATING VOLTAGES**

The maximum admissible operating voltage depends upon the national or international standards in force for the application in question. Air and creepage distances impact the operating voltage; reference values are indicated in the catalog however these may be influenced by PC board design and / or wiring harnesses.

The test voltage indicated in the catalog is 75% of the mean breakdown voltage; the test is applied at 500 V/s and the test duration is 1 minute.

### **5. CE MARKING**

CE Marking is applied to a complete product or device, and implies that the device complies with one or several European safety directives.

CE Marking can not be applied to electromechanical components such as connectors.

### **6. PRODUCT IMPROVEMENTS**

The LEMO Group reserves the right to modify and improve to our products or specifications without providing prior notification.