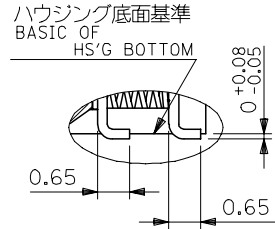
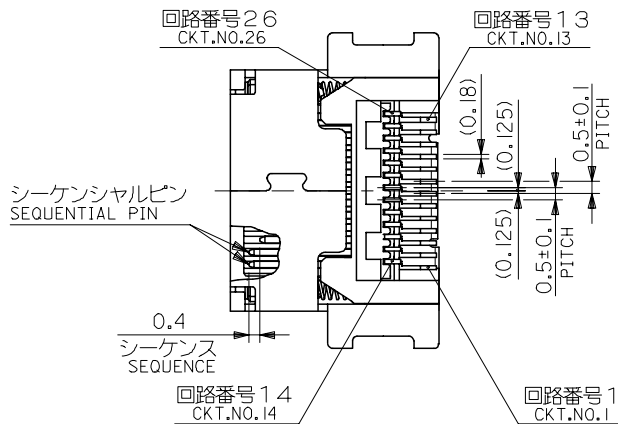


DETAIL B
SCALE 10:1



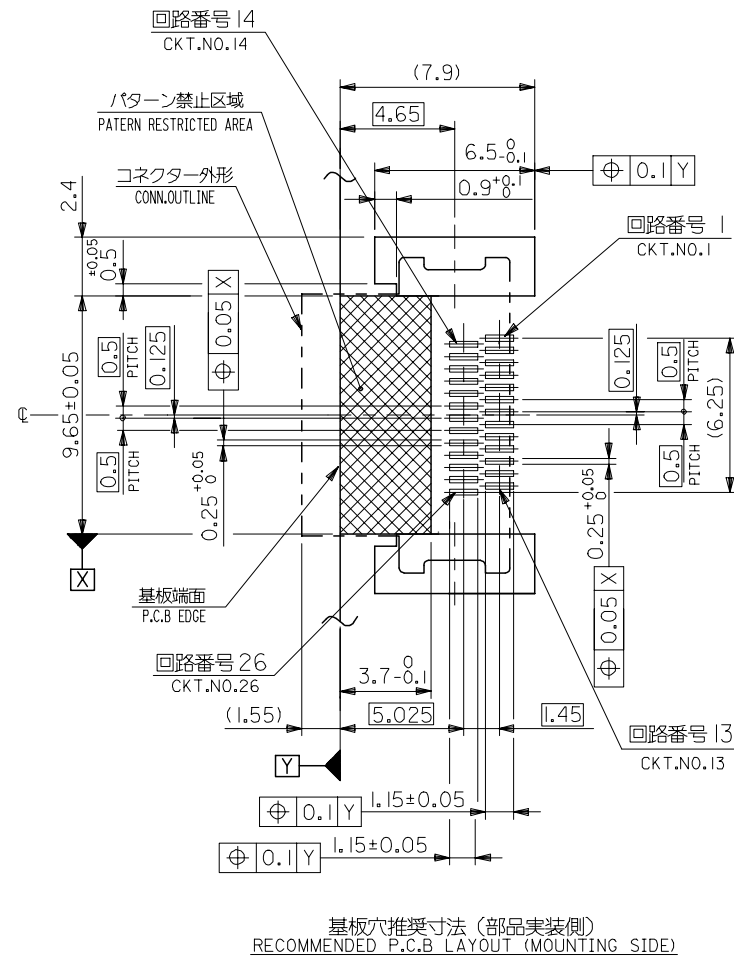
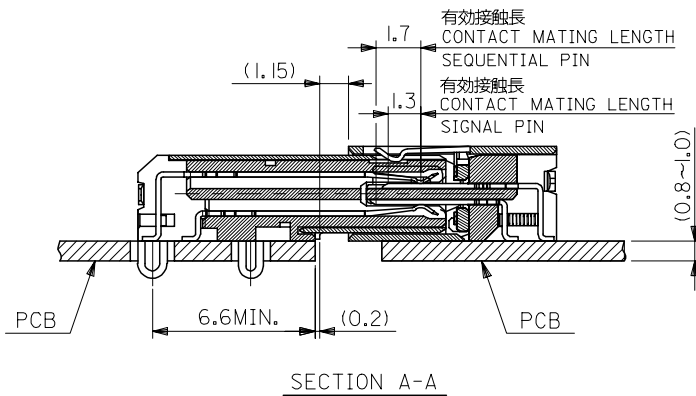
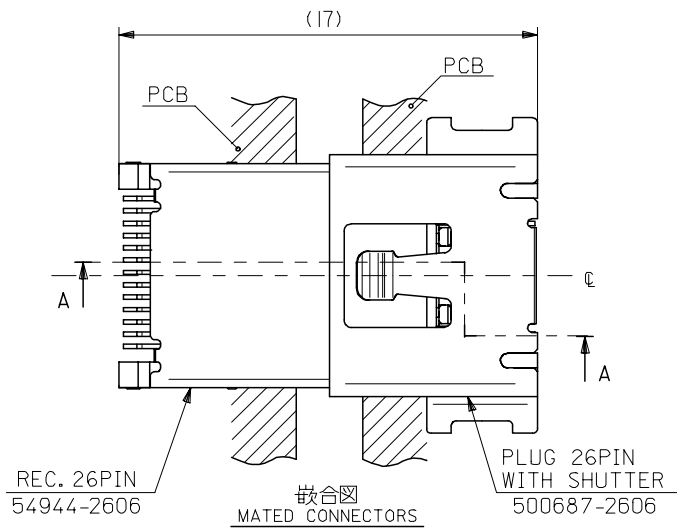
SECTION A-A
SCALE 10:1

NOTE:

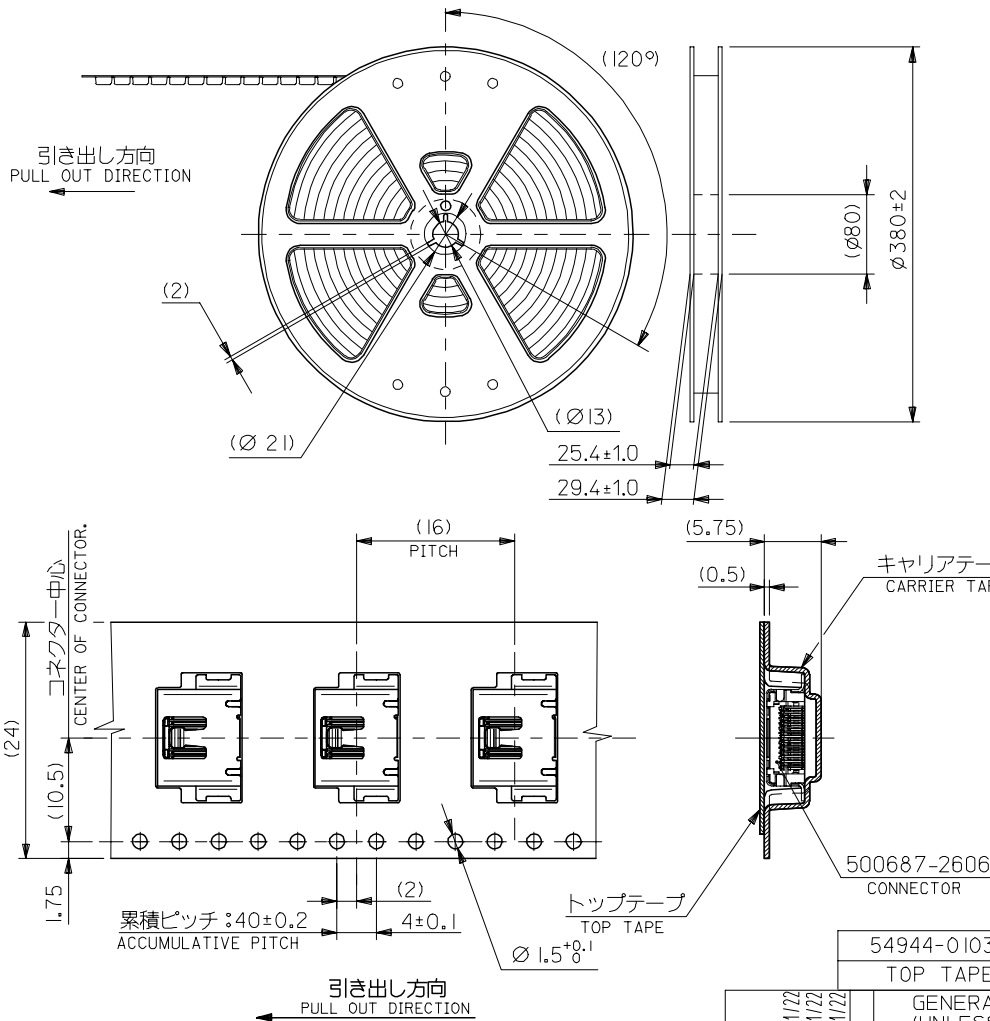
- 適合リセ番号：500825-2606
APPLICABLE REC. NO.: 500825-2606
- 材質
MATERIAL
 - ハウジング：ガラス入り耐熱樹脂，94V-0，黒色
HOUSING: G.F.HEAT RESISTANT PLASTIC
94V-0, BLACK COLOR
 - シャッターハウジング：ガラス入り耐熱樹脂，94V-0，黒色
SHUTTER HOUSING: G.F.HEAT RESISTANT PLASTIC
 - プラグ シールド：ステンレス鋼
PLUG SHIELD: STAINLESS STEEL
 - シャッターシールド：ステンレス鋼
SHUTTER SHIELD: STAINLESS STEEL
 - ターミナル：銅合金
TERMINAL: COPPER ALLOY
- メッキ仕様
PLATING
 - ターミナル
TERMINAL
 - 接点部：金メッキ
CONTACT AREA: GOLD
：パラジウムニッケルメッキ
：PALLADIUM-NICKEL
 - 半田付け部：錫メッキ
SOLDER TAIL AREA: TIN
 - 下地メッキ：ニッケルメッキ
UNDER-PLATING: NICKEL
 - プラグ シールド
PLUG SHIELD
 - 表面処理：金コート処理
SURFACE TREATMENT: GOLD COATING TREATMENT
 - 下地メッキ：ニッケルメッキ
UNDER-PLATING: NICKEL
- 本製品は 500687-2609 の鉛フリー品である。
THIS PRODUCT IS LEAD FREE OF 500687-2609.

500687-2606	500687-26**
MATERIAL NO.	MODEL NO.

RELEASED EC NO: J2005-1252 DRAWN: UMEDA 2004/11/22 CHKD: KTOYODA 2004/11/22 APPR: NUKITA 2004/11/22	GENERAL TOLERANCES (UNLESS SPECIFIED)		DIMENSION STYLE MM ONLY		SCALE 5:1	DESIGN UNITS METRIC	THIRD ANGLE PROJECTION	
	10 UNDER	±0.2	DRAWN BY M.UMEDA	DATE 2004/10/26	TITLE 0.5 I/O CONN WITH SHUTTER PLUG SHG ASSY -LEAD FREE-			
	10 OVER 30 UNDER	±0.25	CHECKED BY K.TOYODA	DATE 2004/10/26				
	30 OVER	±0.3	APPROVED BY N.UKITA	DATE 2004/10/26	MOLEX INCORPORATED			
	ANGULAR	±3 °	MATERIAL NO.	DOCUMENT NO.				
0	DRAFT WHERE APPLICABLE MUST REMAIN WITHIN DIMENSIONS		SEE CHART		SD-500687-001		1 OF 2	
THIS DRAWING CONTAINS INFORMATION THAT IS PROPRIETARY TO MOLEX INCORPORATED AND SHOULD NOT BE USED WITHOUT WRITTEN PERMISSION								



RELEASED EC NO: J2005-1252 DRAWN: UMEDA CHKD: TOYODA APPR: NUKITA 2004/11/22 2004/11/22 2004/11/22	GENERAL TOLERANCES (UNLESS SPECIFIED)		DIMENSION STYLE MM ONLY		SCALE 5:1	DESIGN UNITS METRIC	THIRD ANGLE PROJECTION
	10 UNDER	±0.2	DRAWN BY M. UMEDA		DATE 2004/10/26	TITLE 0.5 I/O CONN WITH SHUTTER PLUG HSG ASSY -LEAD FREE-	
	10 OVER 30 UNDER	±0.25	CHECKED BY K. TOYODA		DATE 2004/10/26	MOLEX INCORPORATED	
	30 OVER	±0.3	APPROVED BY N. UKITA		DATE 2004/10/26		
	ANGULAR	±3°	MATERIAL NO. SEE CAHRT		DOCUMENT NO. SD-500687-001	SHEET NO. 2 OF 2	
0	DRAFT WHERE APPLICABLE MUST REMAIN WITHIN DIMENSIONS		SIZE A3		THIS DRAWING CONTAINS INFORMATION THAT IS PROPRIETARY TO MOLEX INCORPORATED AND SHOULD NOT BE USED WITHOUT WRITTEN PERMISSION		



注記
NOTES

- 製品番号 500687-2606 の寸法詳細は SD-500687-001参照
IN THE PACKAGE PART NO.500687-2606 DETAILED DIMENSION, SEE RSD-500687-003
- 梱包数量： 800 個/リール
NUMBER OF CONNECTORS: 800 PCS/REEL
- リードテープ長さ
LEAD TAPE LENGTH
引き出し方向
PULL OUT DIRECTION
トップテープ接着部
TOP TAPE BONDED PART
(空エンボス)
(EMPTY)
20-25PCS.
- トップテープの剥離強度： 0.1~1.3N (10~130gf)
(剥離方向は下図参照) キャリアテープ幅： 2.4mm
PEEL-OFF FORCE OF TOP TAPE: 0.1~1.3N (10~130gf)
(PEELING DIRECTION AS SHOWN IN FOLLOWING FIG.)
CARRIER TAPE WIDTH
尚、本規格値は、出荷時に適用。
THIS REQUIREMENTS SHOULD BE APPLIED AT SHIPMENT
(但し、輸送時に剥離が発生しない事。)
(PEEL OFF SHOULD NOT BE ALLOWED, DURING TRANSPORTATION)
剥離方向
PEEL OFF DIRECTION
10°
引き出し方向
PULL OUT DIRECTION
- 材料
MATERIAL
キャリアテープ：ポリプロピレン
CARRIER TAPE: POLYPROPYLENE
トップテープ：ポリエステル、ポリエチレン
TOP TAPE: POLYESTER, POLYETHYLENE
リール：ポリスチレン
REEL: POLYSTYRENE
- 本製品は 500687-2600 の鉛フリー品である。
THIS PRODUCT IS LEAD FREE OF 500687-2600.

54944-0103	59499-7803	59405-1626	26	500687-2606	500687-2670
TOP TAPE	REEL	EMBOSSSED TAPE	CKT	CONNECTOR	MATERIAL NO.

RELEASED EC NO: J2005-1252 DRAWN: UMEDA 2004/11/22 CHKD: KTOYODA 2004/11/22 APPR: NUKITA 2004/11/22 REV: 0	GENERAL TOLERANCES (UNLESS SPECIFIED)		DIMENSION STYLE MM ONLY		SCALE ---	DESIGN UNITS METRIC	THIRD ANGLE PROJECTION
	10 UNDER	± ---	DRAWN BY M. UMEDA	DATE 2004/10/26	TITLE EMBOSSSED TAPE PACKAGE FOR 500687-2606 -LEAD FREE-		
	10 OVER 30 UNDER	± ---	CHECKED BY K. TOYODA	DATE 2004/10/26	MOLEX INCORPORATED		
	30 OVER	± ---	APPROVED BY N. UKITA	DATE 2004/10/26	MATERIAL NO. 500687-26**	DOCUMENT NO. SD-500687-002	SHEET NO. 1 OF 1
	ANGULAR ± --- °		DRAFT WHERE APPLICABLE MUST REMAIN WITHIN DIMENSIONS		THIS DRAWING CONTAINS INFORMATION THAT IS PROPRIETARY TO MOLEX INCORPORATED AND SHOULD NOT BE USED WITHOUT WRITTEN PERMISSION		