



SOCKETS FOR C2 RELAYS

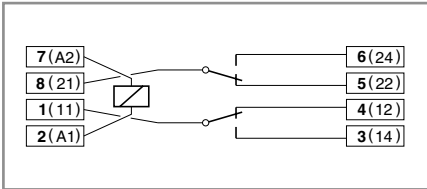
- Built in retaining clip
- Removable label marking facility
- Coding ring compatible
- One or two level terminals
- DIN rail, solder tag or PCB mount



**S2-B** One level.  
Integrated clip and marking label

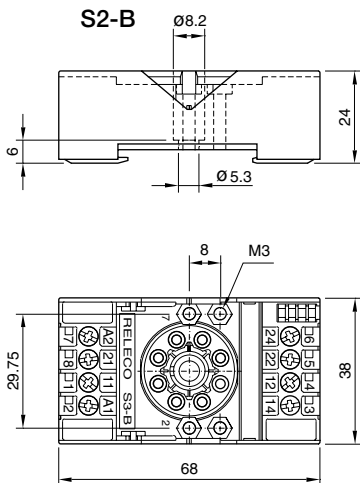
Accepts the exclusive Releco coding ring for coding both the relay and base. DIN rail or panel mountable. Removable label. EN/DIN and sequential numbering. According to EN60947

Wiring diagram



Specifications

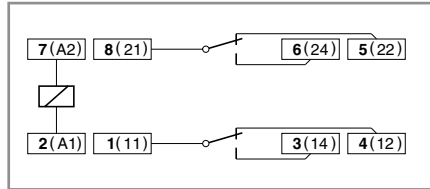
Nominal load 10A/300V  
 Dielectric strength (adjacent screws) 2,5 KV  
 Dielectric strength (screws/rail) 2,5 KV  
 Max. screw torque 1,2 Nm  
 Screw dimensions M3, Pozi  
 Wire in-lets capacity:  
 Solid wire 4 mm<sup>2</sup> or 2 x 2,25 mm<sup>2</sup>  
 Multi-core 22 - 14 AWG



**S2-S** Two level.  
Integrated clip and marking label

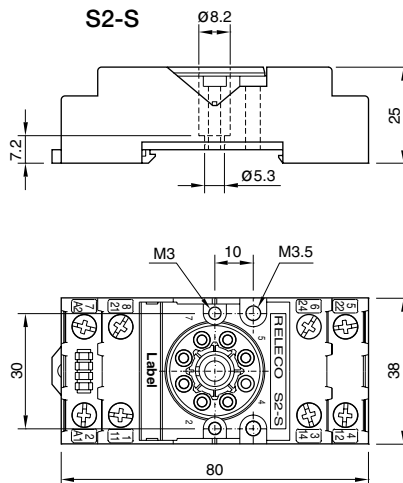
Accepts the exclusive Releco coding ring for coding both the relay and base. DIN rail or panel mountable. Removable label. EN/DIN and sequential numbering. According to EN60947

Wiring diagram



Specifications

Nominal load 10A/300V  
 Dielectric strength (adjacent screws) 2,5 KV  
 Dielectric strength (screws/rail) 2,5 KV  
 Max. screw torque 1,2 Nm  
 Screw dimensions M3, Pozi  
 Wire in-lets capacity:  
 Solid wire 4 mm<sup>2</sup> or 2 x 2,25 mm<sup>2</sup>  
 Multi-core 22 - 14 AWG

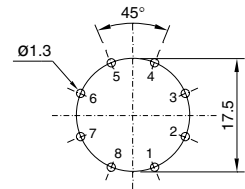


**S2-L** **S2-PO**  
8 pin, solder and printed circuit tags

S2-L Flange panel mountable.

S2-PO Printed circuit tags with flange.

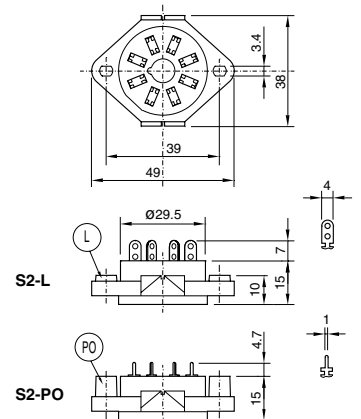
Printed circuit lay-out



Specifications

Nominal load 10 A/300 V  
 Dielectric strength (adjacent pin) 2,5 KV  
 Hard brass, tin-plated terminals

S2-L S2-PO



**S2-BC** Coding Ring

Can be used to code a specific relay to fit a specific socket up to 8 combinations. Supplied in a pack of 5 pieces.