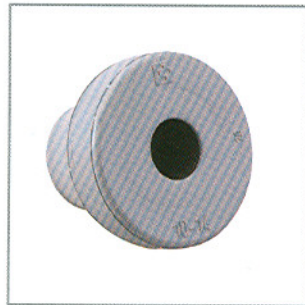
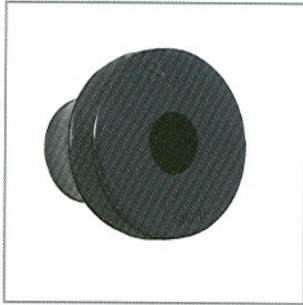


Rubber Grommet Rutaseal EPDM PG



Material:

EPDM

Resistant to chemicals and weatherproof.

Suitable for holes in materials of 0,5 - 4mm thickness.
Quick and simple assembly without the use of tools.

Mode of protection:

IP67 acc. to EN 60529

Temperature range:

-30°C....+130°C

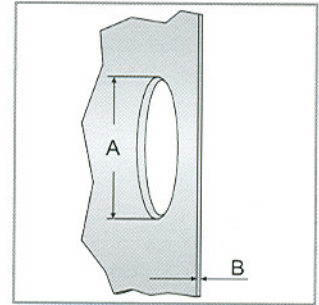
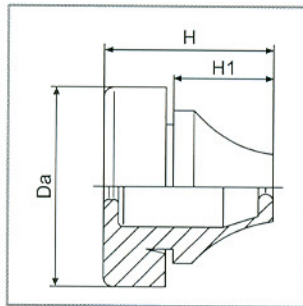
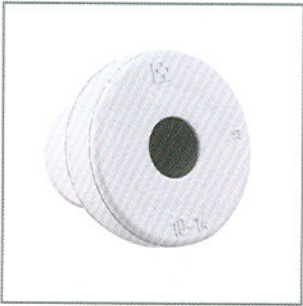
Test standard:

EMKO TU-1 (C03-SEC) FI 001/84

Semko report:

410375

Halogen-Free




 **RAL 7001**
Grey

E-number Art.no	Size	For cable Ø mm	A mm	B mm	Da mm	H mm	H1 mm	Colour	Weight/ 100pcs	Pcs pack
14 582 20	PG7/12,5	3-5	13,0	0,5-2	20,0	12,6	5,4	RAL 7001	0,33	50
14 582 21	PG9/15,2	5-7	16,0	1-4	21,0	17,8	10,3	RAL 7001	0,39	50
14 582 22	PG11/18,6	7-10	19,0	1-4	24,0	19,8	12,7	RAL 7001	0,53	50
14 582 23	PG16/22,5	10-14	23,0	1-4	28,0	21,6	14,7	RAL 7001	0,65	50
14 582 24	PG21/28,3	14-20	29,0	1-4	35,0	24,6	17,6	RAL 7001	1,34	25
14 582 25	PG29/37,0	20-26	38,0	1-4	46,0	28,5	20,0	RAL 7001	2,58	25
14 582 26	PG36/47,0	26-35	48,0	1-4	58,0	34,9	23,9	RAL 7001	4,10	10

 **RAL 9005**
Black

RS-PG7S	PG7/12,5	3-5	13,0	0,5-2	20,0	12,6	5,4	RAL 9005	0,33	50
RS-PG9S	PG9/15,2	5-7	16,0	1-4	21,0	17,8	10,3	RAL 9005	0,39	50
RS-PG11S	PG11/18,6	7-10	19,0	1-4	24,0	19,8	12,7	RAL 9005	0,53	50
RS-PG16S	PG16/22,5	10-14	23,0	1-4	28,0	21,6	14,7	RAL 9005	0,65	50
RS-PG21S	PG21/28,3	14-20	29,0	1-4	35,0	24,6	17,6	RAL 9005	1,34	25
RS-PG29S	PG29/37,0	20-26	38,0	1-4	46,0	28,5	20,0	RAL 9005	2,58	25
RS-PG36S	PG36/47,0	26-35	48,0	1-4	58,0	34,9	23,9	RAL 9005	4,10	10

 **White**

RS-PG7V	PG7/12,5	3-5	13,0	0,5-2	20,0	12,6	5,4	White	0,33	50
RS-PG9V	PG9/15,2	5-7	16,0	1-4	21,0	17,8	10,3	White	0,39	50
RS-PG11V	PG11/18,6	7-10	19,0	1-4	24,0	19,8	12,7	White	0,53	50
RS-PG16V	PG16/22,5	10-14	23,0	1-4	28,0	21,6	14,7	White	0,65	50
RS-PG21V	PG21/28,3	14-20	29,0	1-4	35,0	24,6	17,6	White	1,34	25
RS-PG29V	PG29/37,0	20-26	38,0	1-4	46,0	28,5	20,0	White	2,58	25
RS-PG36V	PG36/47,0	26-35	48,0	1-4	58,0	34,9	23,9	White	4,10	10