

- Max. permissible temperature T_m at the rear of the lampholder: 110°C
- Holder body: PC



T 130

DIPPOSS-Rotor

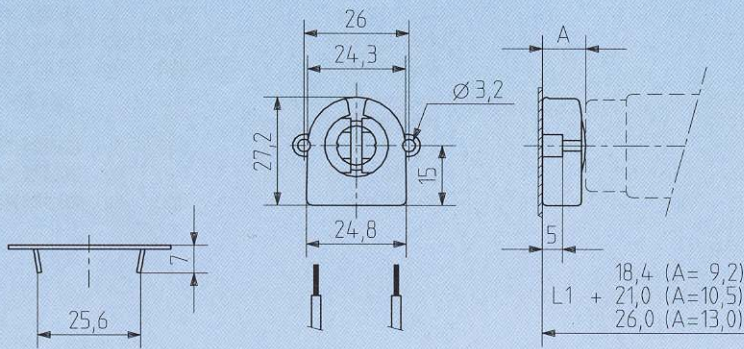
READY

Front

0.5 - 1.0 mm²

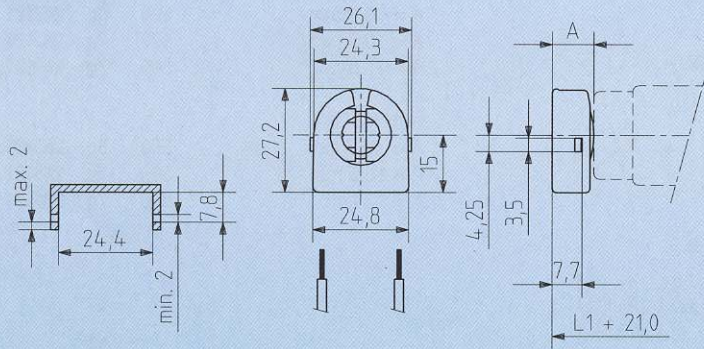
100...

100...



Locating holes

A =	pkg.	wt.	part no.
9.2 mm	500	5g	26.421.4433.50
10.5 mm	500	6g	26.421.4424.50
13 mm	500	6g	26.421.4414.50



Fixing lugs

A = 10.5 mm	500	6g	26.421.4403.50
-------------	-----	----	----------------

L1 + x: Recommended dimension - the final distance should be governed by the dimensions of the respective lamps and luminaires, for dimensions of lamps see page 100-4.