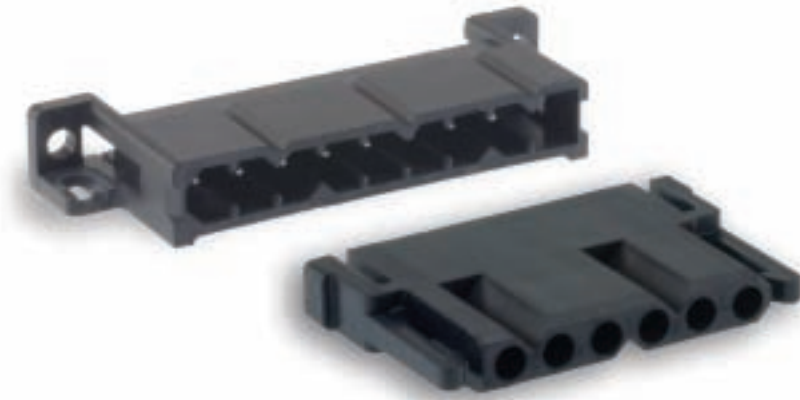


The Slimline Range offers a low profile connector system that is well suited for circuit board applications. The precision machined contacts are ideal for power and sensitive signals.

Applications:

- Communications equipment.
- Test equipment.
- Heavy duty equipment.



Snap Together
Slimline

Product Features

- Less than 10,00 (.393) width on PC board.
- Pin headers pre-loaded with straight or 90° machined solder tail pins.
- Mating plug accepts all Trident signal crimp socket contacts, see page 00.
- Plugs have integrally molded quick connect/disconnect latches.
- Five single row contact arrangements available.
- Recognized under the component program of UL Inc. and CSA.
- Gold plated version available with earth pin capability.
- 10 A per circuit.

Performance Specifications

Operating Voltage	250 V ac rms
Contact Current Rating	Up to 10 A (For derating curve, see page 44)
Temperature Range	-40°C to 105°C (-40°F to 221°F)
Insulation Resistance	5000 MΩ at 500 V dc

Materials and Finishes

Description
Insulator

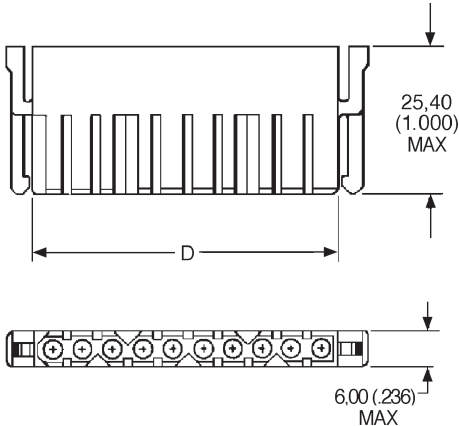
Material
Black Nylon, UL 94V-0

Finish
None



Dimensions shown in mm (inch)
Specifications and dimensions subject to change

www.ittcannon.com



Snap Together Slimline

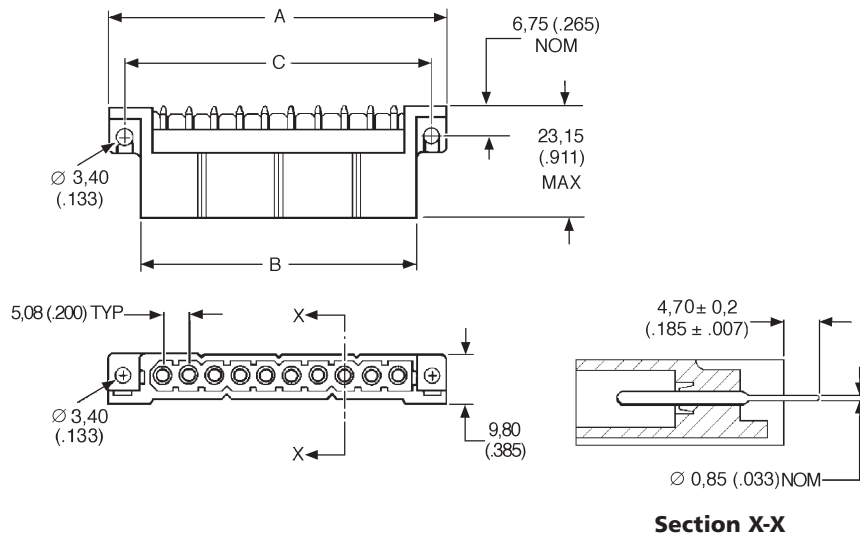
Plug Connector

- Socket contacts must be ordered separately for the plug connectors, see page 47.

Part Numbers — Plug Connector

Number of Contacts	Part Number (Pack of 100)	Nomenclature	D max.
3	192990-0960	TST 03 PF 00	16,10 (.633)
4	192990-0970	TST 04 PF 00	21,20 (.834)
6	192990-0980	TST 06 PF 00	31,40 (1.236)
9	192990-0990	TST 09 PF 00	46,60 (1.834)
10	192990-1000	TST 10 PF 00	51,60 (2.031)

Snap Together Slimline



Pin Header — Straight

- For gold plated versions extended earth pins are available in any one or two positions. Contact your local Cannon Sales Office for further details.

Part Numbers — Straight Pin Header

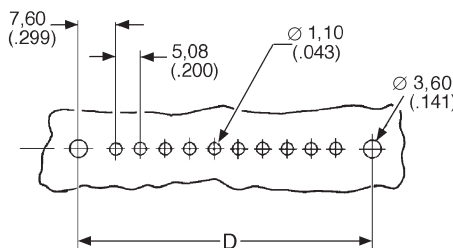
Gold Plated Version
0,4 μm (16 μin.) min. Gold

Tin Plated Version

Dimensions (max.)

Number of Contacts	Part Number (Pack of 100)	Nomenclature	Part Number (Pack of 100)	Nomenclature	A	B	C
3	192991-0337	TP 03 R4E 00Y	192991-0316	TST 03 RD 01T	31,40 (1.236)	19,40 (.763)	25,50 (1.003)
4	192991-0347	TP 04 R4E 00Y	192991-0318	TST 04 RD 01T	36,50 (1.437)	14,50 (.964)	30,60 (1.204)
6	192991-0342	TP 06 R4E 00Y	192991-0320	TST 06 RD 01T	46,70 (1.838)	34,70 (1.366)	40,70 (1.602)
9	192991-0536	TP 09 R4E 00Y	192991-0322	TST 09 RD 01T	61,90 (2.437)	49,90 (1.964)	56,00 (2.204)
10	192991-0354	TP 10 R4E 00Y	192991-0324	TST 10 RD 01T	67,00 (2.637)	55,00 (2.165)	61,10 (2.405)

PCB Layout



Number of Contacts	D max.
3	25,50 (1.003)
4	30,60 (1.204)
6	40,70 (1.602)
9	56,00 (2.204)
10	61,10 (2.405)



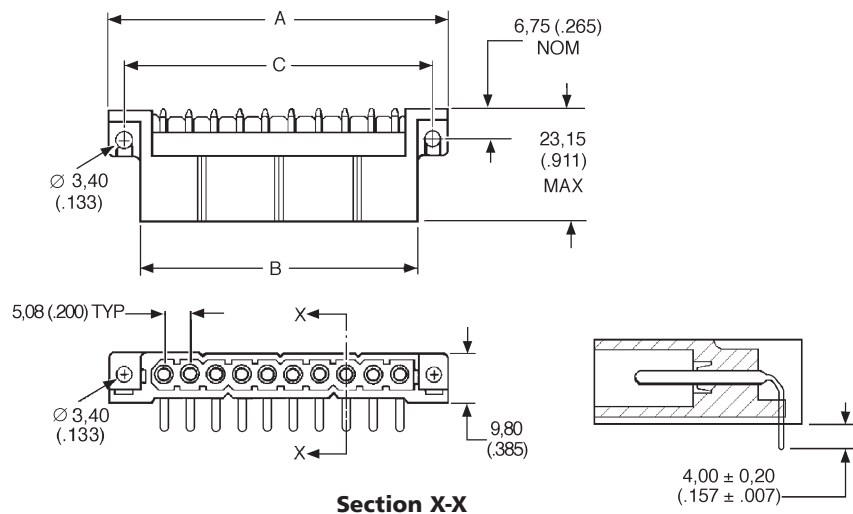
Dimensions shown in mm (inch)
Specifications and dimensions subject to change

www.ittcannon.com



Pin Header — 90°

- For gold plated versions extended earth pins are available in any one or two positions. Contact your local Cannon Sales Office for further details.

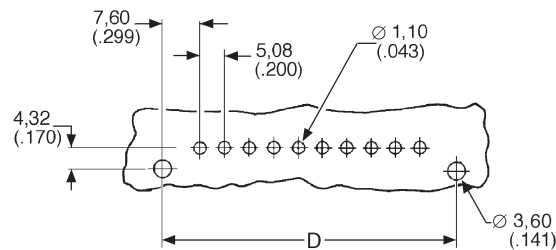


Snap Together Slimline

Part Numbers — 90° Pin Header

Number of Contacts	Gold Plated Version 0,4µm (16µin.) min. Gold		Tin Plated Version		Dimensions (max.)		
	Part Number (Pack of 100)	Nomenclature	Part Number (Pack of 100)	Nomenclature	A	B	C
3	192991-0532	TP 03 R3E 00Y	192991-0317	TST 03 RE 01T	31,40 (1.236)	19,40 (.763)	25,50 (1.003)
4	192991-0533	TP 04 R3E 00Y	192991-0319	TST 04 RE 01T	36,50 (1.437)	14,50 (.964)	30,60 (1.204)
6	192991-0534	TP 06 R3E 00Y	192991-0321	TST 06 RE 01T	46,70 (1.838)	34,70 (1.366)	40,70 (1.602)
9	192991-0535	TP 09 R3E 00Y	192991-0323	TST 09 RE 01T	61,90 (2.437)	49,90 (1.964)	56,00 (2.204)
10	192991-0538	TP 10 R3E 00Y	192991-0325	TST 10 RE 01T	67,00 (2.637)	55,00 (2.165)	61,10 (2.405)

PCB Layout



Number of Contacts	D max.
3	25,50 (1.003)
4	30,60 (1.204)
6	40,70 (1.602)
9	56,00 (2.204)
10	61,10 (2.405)

Dimensions shown in mm (inch)
Specifications and dimensions subject to change