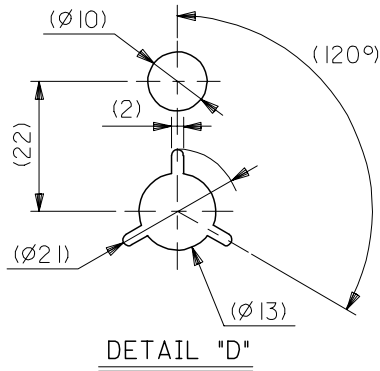
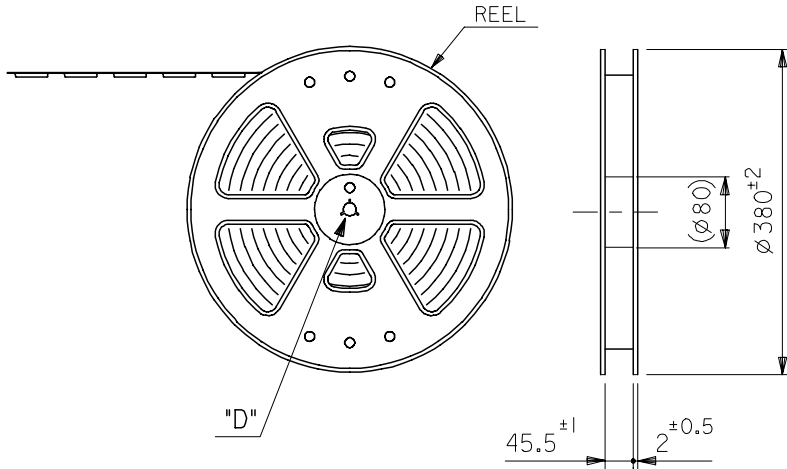
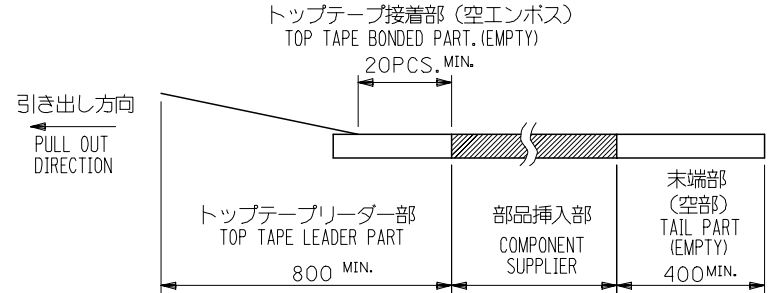


引き出し方向
PULL OUT DIRECTION

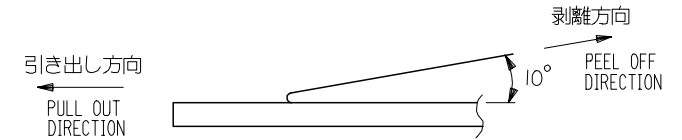


NOTES

- 製品詳細寸法については、SD図面を参照下さい。
RE DETAILED DIMENSION, SEE SALES DRAWING.
- 梱包数量：500個/リール
NUMBER OF CONNECTORS : 500PCS/REEL
- リードテープ長さ LEAD TAPE LENGTH



- トップテープの剥離強度：0.1N～1.3N (10.2gf～130gf) (剥離方向は下図参照) 尚、本規格値は出荷時に適用。(但し、輸送時に剥離が発生しないこと。)
PEELING OFF FORCE OF TOP TAPE : 0.1N～1.3N (10.2gf～130gf) (PEELING DIRECTION AS SHOWN IN FOLLOWING FIG.) THIS REQUIREMENT SHOULD BE APPLIED AT SHIPMENT. PEEL OFF SHOULD NOT BE ALLOWED , DURING TRANSPORTATION.



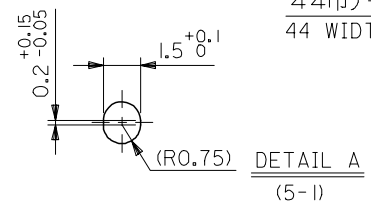
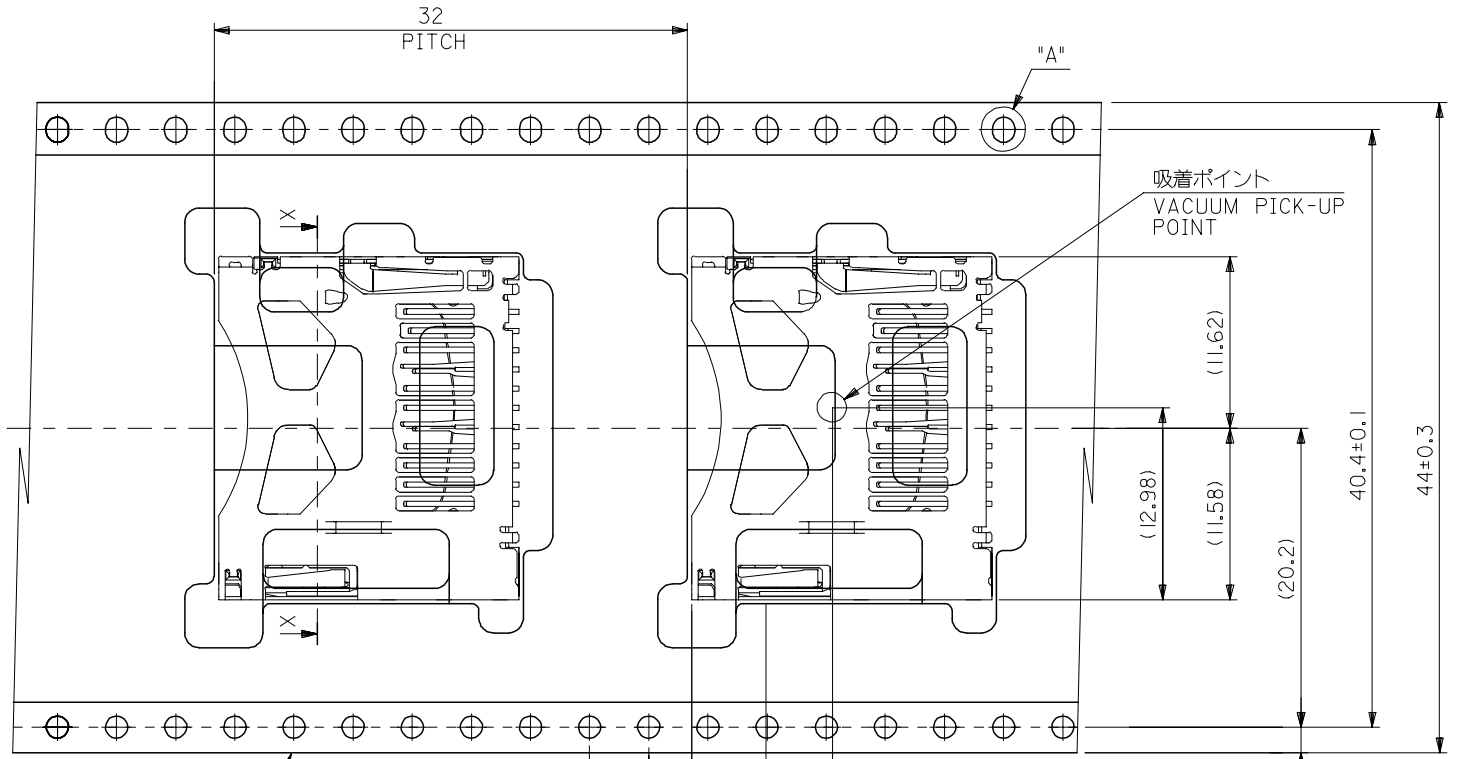
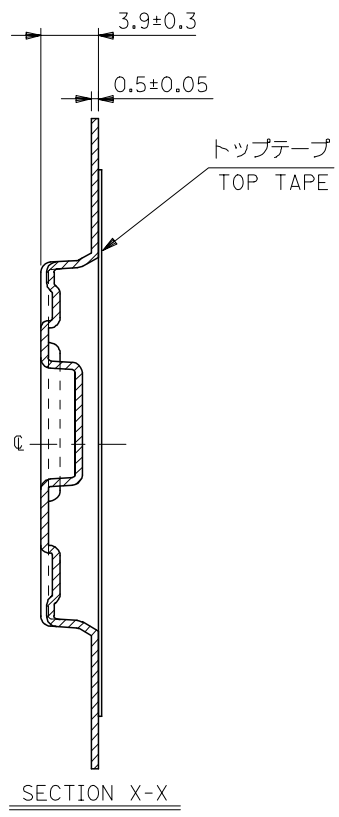
- 材料 (MATERIAL)
キャリアテープ (CARRIER TAPE) : ポリプロピレン (POLYPROPYLENE)
トップテープ (TOPTAPE) : PET, PE, PEF
リール (REEL) : ポリスチレン (PS) <リサイクル材を含む>
POLYSTYRENE (PS) <RECYCLE MATERIAL CONTAINED>
- その他 (OTHER)
部品挿入部に空ポケット無し。
NO EMPTY POCKETS AT THE PART OF COMPONENT SUPPLIER.
梱包状態で逆にしたとき、製品が自由落下にて挙動のこと。
AFTER PACKING, COMPONENT FALL FREE IN EMBOSSED TAPE PACKAGE.

501175-1192
MATERIAL No.
501175-***9*
MODEL No.

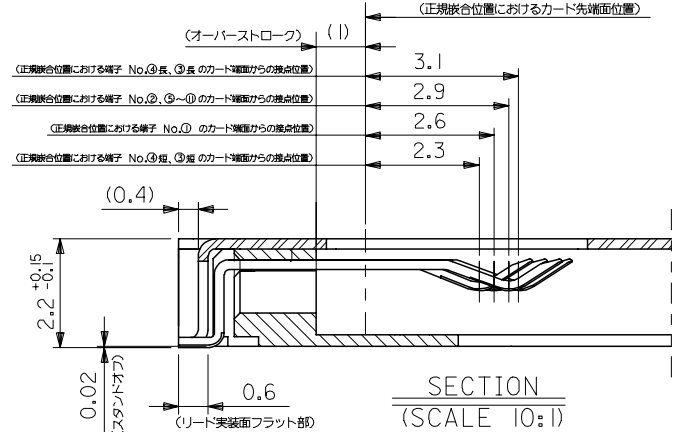
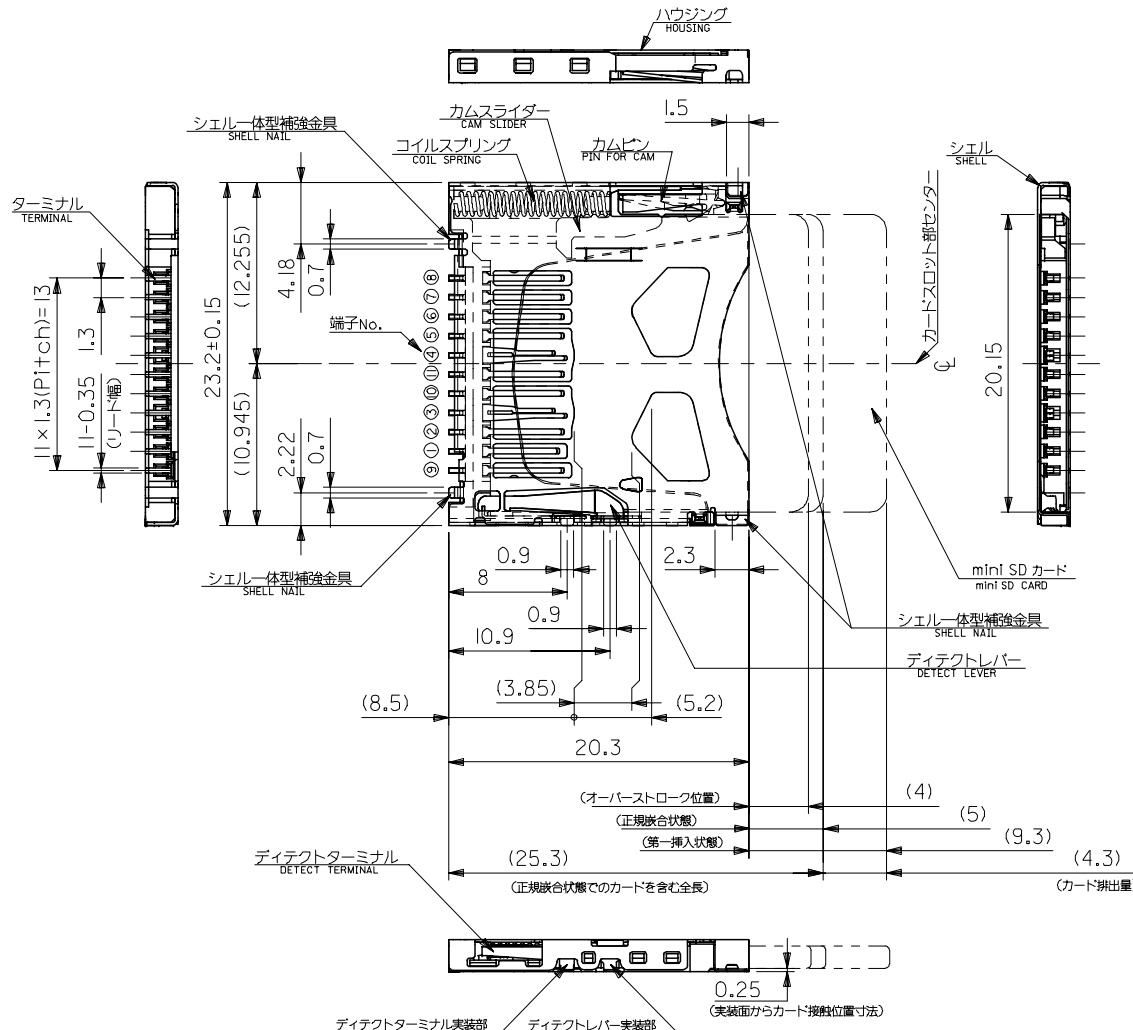
RELEASED EC NO: J2005-1559 DRAWN: WATSUMOTO 2005/01/13 CHKD: MTOMITA 2005/01/17 APPR: JMIYAZAWA 2005/01/21	GENERAL TOLERANCES (UNLESS SPECIFIED)		DIMENSION STYLE MM ONLY	SCALE ---	DESIGN UNITS METRIC	THIRD ANGLE PROJECTION
	10 UNDER	±0.2	DRAWN BY YMATSUMOTO	DATE 04/09/30	TITLE MINI SD CONN. (PUSH/PUSH & REVERSE TYPE) EMBOSSED TAPE PACKAGE	
	10 OVER 30 UNDER	±0.25	CHECKED BY MTOMITA	DATE 04/11/26	MOLEX INCORPORATED	
	30 OVER	±0.3	APPROVED BY JMIYAZAWA	DATE 04/11/26	DOCUMENT NO. SD-501175-003	SHEET NO. 1 OF 2
A	SIZE A3	DRAFT WHERE APPLICABLE MUST REMAIN WITHIN DIMENSIONS		THIS DRAWING CONTAINS INFORMATION THAT IS PROPRIETARY TO MOLEX INCORPORATED AND SHOULD NOT BE USED WITHOUT WRITTEN PERMISSION		

10 9 8 7 6 5 4 3 2 1

F
E
D
C
B
A



RELEASED EC NO: J2005-1559 DRWN: YMATSUMOTO 2005/01/13 CHKD: MTOMITA 2005/01/17 APPR: JMIYAZAWA 2005/01/21	GENERAL TOLERANCES (UNLESS SPECIFIED)		DIMENSION STYLE MM ONLY		SCALE 3:1	DESIGN UNITS METRIC	THIRD ANGLE PROJECTION		
	10 UNDER	±0.2	DRAWN BY YMATSUMOTO		DATE 04/09/30		TITLE MINI SD CONN. (PUSH/PUSH & REVERSE TYPE) EMBOSSED TAPE PACKAGE		
	10 OVER 30 UNDER	±0.25	CHECKED BY MTOMITA		DATE 04/11/26		MOLEX INCORPORATED		
	30 OVER	±0.3	APPROVED BY JMIYAZAWA		DATE 04/11/26		DOCUMENT NO. SD-501175-003		
	ANGULAR	±3°	MATERIAL NO. SHEET 1 OF 2		DATE 04/11/26		SHEET NO. 2 OF 2		
DRAFT WHERE APPLICABLE MUST REMAIN WITHIN DIMENSIONS		THIS DRAWING CONTAINS INFORMATION THAT IS PROPRIETARY TO MOLEX INCORPORATED AND SHOULD NOT BE USED WITHOUT WRITTEN PERMISSION							



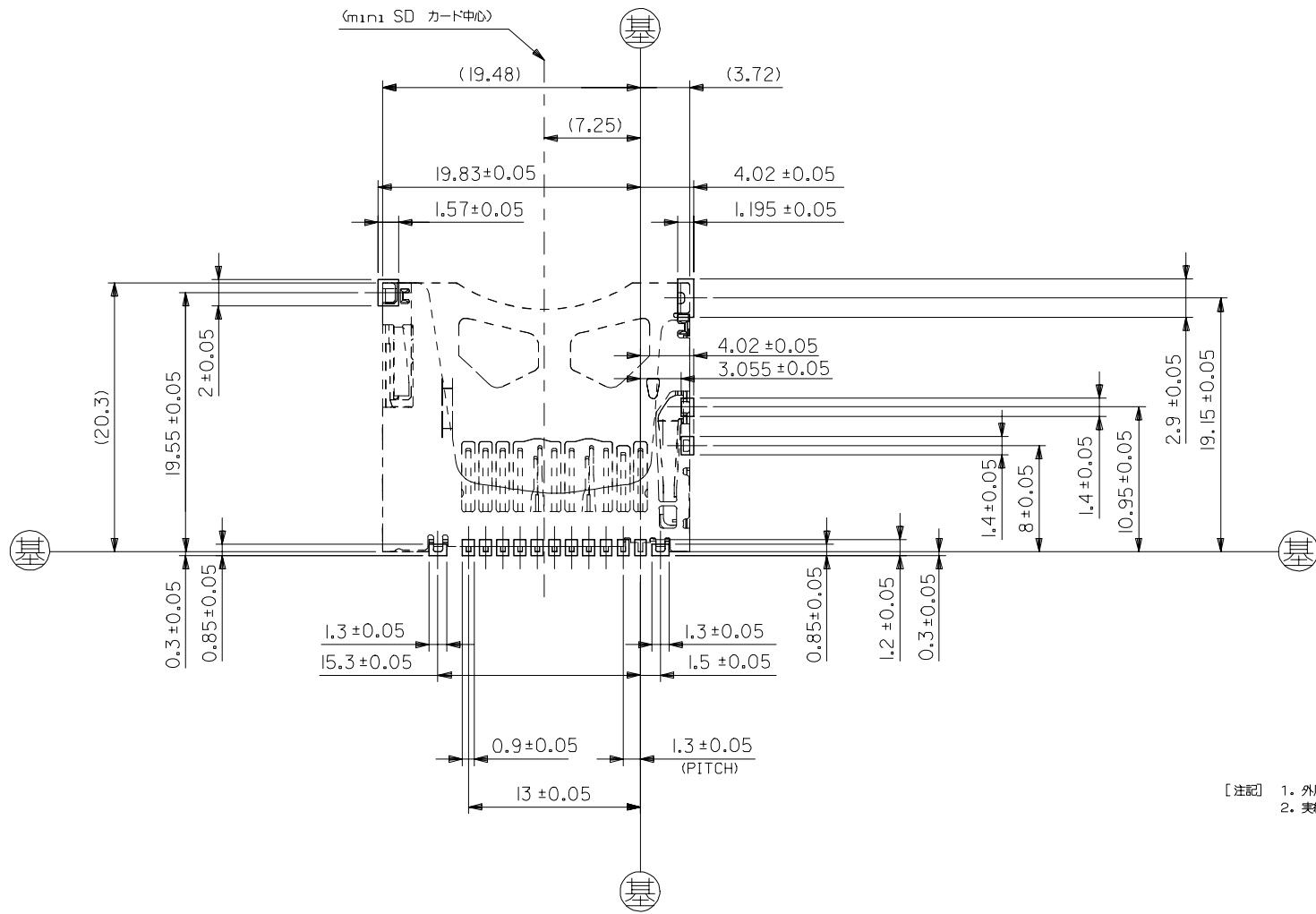
- [注記] 1. 材質 MATERIAL
- ハウジング : 液晶ポリマー (LCP) ガラス充填, UL94V-0, 黒色
HOUSING LIQUID CRYSTAL POLYMER (LCP) GLASS FILLED, UL94V-0, BLACK
- カムスライダー : 液晶ポリマー (LCP) ガラス充填, UL94V-0, 黒色
CAM SLIDER LIQUID CRYSTAL POLYMER (LCP) GLASS FILLED, UL94V-0, BLACK
- ターミナル : リン青銅, (+t=0.2)
TERMINAL: PHOSPHOR BRONZE (+t=0.2)
- シェル : ステンレス鋼, (+t=0.2)
SHELL: STAINLESS STEEL (+t=0.2)
- ディテクトレバー : リン青銅, (+t=0.15)
DETECT LEVER: PHOSPHOR BRONZE (+t=0.15)
- ディテクトターミナル : リン青銅, (+t=0.15)
DETECT TERMINAL: PHOSPHOR BRONZE (+t=0.15)
- コイルスプリング : ピアノ線
COIL SPRING: SPW
- カムピン : ステンレス鋼
PIN FOR CAM: STAINLESS STEEL
2. メッキ仕様 PLATING
- ターミナル: (接触部) 金メッキ 0.2~0.3 μm, パラジウム・ニッケルメッキ 0.5~0.6 μm
(テール部) 鍍メッキ 1~3 μm (下地) ニッケルメッキ 1~2.5 μm
TERMINAL: CONTACT AREA: Au 0.2-0.3 μm, Pd-Ni 0.5-0.6 μm, (TAIL AREA) Sn 1-3.5 μm, UNDERFINI 1-2.5 μm
- シェル (基板実装部): 金メッキ 0.03~0.2 μm (下地) ニッケルメッキ 1~2.5 μm
SHELL (NAIL AREA): Au 0.03-0.2 μm, UNDERFINI 1-2.5 μm
- ディテクトレバー: (接触部) 金メッキ 0.2~0.3 μm, パラジウム・ニッケルメッキ 0.5~0.6 μm
(テール部) 鍍メッキ 1~3 μm (下地) ニッケルメッキ 2~3.5 μm
DETECT LEVER: CONTACT AREA: Au 0.2-0.3 μm, Pd-Ni 0.5-0.6 μm, (TAIL AREA) Sn 1-3.5 μm, UNDERFINI 2-3.5 μm
- ディテクトターミナル: (接触部) 金メッキ 0.2~0.3 μm, パラジウム・ニッケルメッキ 0.5~0.6 μm
(テール部) 鍍メッキ 1~3 μm (下地) ニッケルメッキ 2~3.5 μm
DETECT TERMINAL: CONTACT AREA: Au 0.2-0.3 μm, Pd-Ni 0.5-0.6 μm, (TAIL AREA) Sn 1-3.5 μm, UNDERFINI 2-3.5 μm
- コイルスプリング (全面): ニッケルメッキ
COIL SPRING: ALL AREA: NICKEL PLATING
3. テール及び補強金具の平均度は, 0.1 MAX.
TAIL AND NAIL COPLANARITY TO BE 0.1 MAX.
4. 納入時、プッシュ/プッシュ機構は非ロック状態
WHEN DELIVERING, THE PUSH/PUSH MECHANISM IS IN THE STATE OF THE UNLOCK.
5. カード検知スイッチ
DETECT SWITCH
- | | |
|-----------------------------------|----------------|
| カード挿入時
CARD INSERTING POSITION | クローズ
CLOSED |
| カード未挿入時
NO CARD POSITION | オープン
OPENED |

501175-1121	II
R MATERIAL NO.	CIRCUIT
MODEL NO.	501175-***1

RELEASED EC NO: J2005-3574 DRAWN: WATSUMOTO 2005/05/31 CHKD: TOMITA 2005/05/31 APPR: JIMIZAWA 2005/06/06	GENERAL TOLERANCES (UNLESS SPECIFIED)		DIMENSION STYLE	SCALE	DESIGN UNITS	THIRD ANGLE PROJECTION	
			MM ONLY	3:1	METRIC		
	10 UNDER ±0.2		10 OVER 30 UNDER ±0.25	DRAWN BY	DATE	TITLE	MINI SD CONN. (PUSH/PUSH & REVERSE SMALL TYPE) MOLEX INCORPORATED
	30 OVER ±0.3		ANGULAR ±3 °	CHECKED BY	DATE		
DRAFT WHERE APPLICABLE MUST REMAIN WITHIN DIMENSIONS			APPROVED BY	DATE			
			MATERIAL NO.	DOCUMENT NO.	SHEET NO.		
			SIZE	THIS DRAWING CONTAINS INFORMATION THAT IS PROPRIETARY TO MOLEX INCORPORATED AND SHOULD NOT BE USED WITHOUT WRITTEN PERMISSION		1 OF 2	

10 9 8 7 6 5 4 3 2 1

F
E
D
C
B
A



[注記] 1. 外周の二点鎖線はコネクタ実装時の外形を示しています。
2. 実線内は表面実装用のパッド部およびボス用穴を示しています。

MODEL NO. 501175-***1

RELEASED EC NO: J2005-3574 DRWN: YMATSUMOTO 2005/05/31 CHKD: MTOMITA 2005/05/31 APPR: JMIYAZAWA 2005/06/06	GENERAL TOLERANCES (UNLESS SPECIFIED)		DIMENSION STYLE MM ONLY		SCALE 3:1	DESIGN UNITS METRIC	THIRD ANGLE PROJECTION	
	10 UNDER	±0.2	DRAWN BY YMATSUMOTO		DATE 05/05/31		TITLE MINI SD CONN. (PUSH/PUSH & REVERSE SMALL TYPE)	
	10 OVER 30 UNDER	±0.25	CHECKED BY MTOMITA		DATE 05/05/31		MOLEX INCORPORATED	
	30 OVER	±0.3	APPROVED BY JMIYAZAWA		DATE 05/05/31		DOCUMENT NO. SD-501175-004	
	ANGULAR	±3 °	MATERIAL NO. SEE CHART		SHEET NO. 2 OF 2			
	DRAFT WHERE APPLICABLE MUST REMAIN WITHIN DIMENSIONS		SIZE A3		THIS DRAWING CONTAINS INFORMATION THAT IS PROPRIETARY TO MOLEX INCORPORATED AND SHOULD NOT BE USED WITHOUT WRITTEN PERMISSION			