

# EDAC Waterproof Connector Assemblies

Features: Major applications include baths, toilets, hot-water suppliers, washing machines, water purifiers, outdoor motors, frozen food showcases, and construction devices.

566 (WP20/22) Series, 22 AWG : FEATURES: As being a fully waterproof small-sized connector of 2 mm pitch, SPECIFICATIONS: Pitch: 2.0 mm. Rated Voltage: 250V. Rated Current: Max 2A. Withstand Voltage: AC1000V, 1 Minute. Contact Resistance: 10mΩ max. Insulation Resistance: 1000MΩ min./DC500V. Temperature Range: -40°C+105°C. Water proof grade: JIS C0920 (grade 8) Water proof type by JIS C0920. Applicable Board Thickness: 1.6 mm. Housing - Pin Block: PBT (UL94V-0). Terminal: PB/Tin plating. Wire - Housing Seal: Silicone Rubber.

568 (CL07C) Series, 20 AWG FEATURES: As a waterproof connector of single-pole specification, housing lock can assure tight closing without being easily disengaged. The lock is small in size and compact. Outstanding in mechanical/electrical characteristics, etc. because of the highly stable contact part. Conforming to Electric Apparatus Control Regulations. SPECIFICATIONS: Rated Voltage: 300V. Rated Current: Max 5A. Withstand Voltage: AC1700V, 1 Minute. Contact Resistance: 10mΩ max. Insulation Resistance: 1000MΩ min./DC500V. Temperature Range: -40°C+105°C. Water proof grade: JIS C0920 (grade 4) Water proof type by JIS C0920. Housing - Pin Block: PBT (UL94V-0). Terminal: Brass/Tin plating. Wire - Housing Seal: Silicone Rubber.

570 (CL07D/E) Series, 16 AWG FEATURES: Fully waterproof connector of 5.8 mm pitch, being applicable to large current (max. 10A). Conforming to Electric Apparatus Control Regulations. SPECIFICATIONS: Rated Voltage: 300V. Rated Current: Max 10A. Withstand Voltage: AC1700V, 1 Minute. Contact Resistance: 10mΩ max. Insulation Resistance: 1000MΩ min./DC500V. Temperature Range: -40°C+105°C. Water proof grade: JIS C0920 (grade 4) Water proof type by JIS C0920. Applicable Board Thickness: 1.6 mm. Housing - Pin Block: PBT (UL94V-0). Terminal: Brass/Tin plating. Wire - Housing Seal: Silicone Rubber.

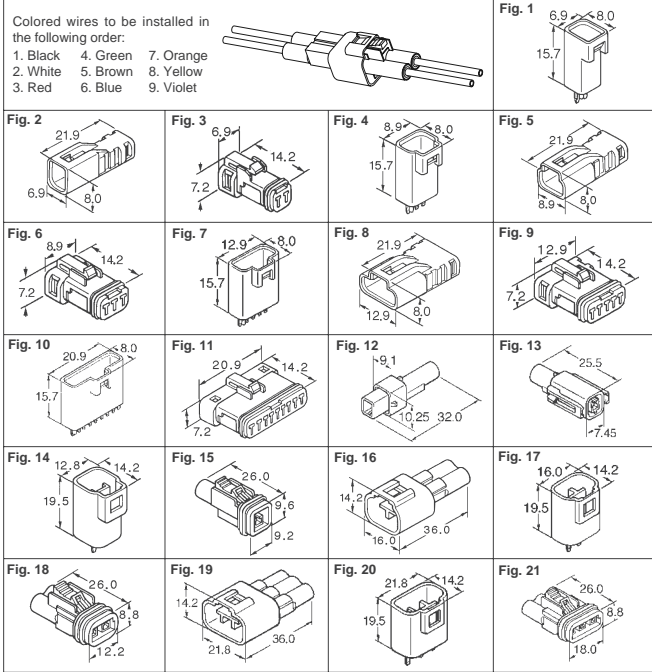
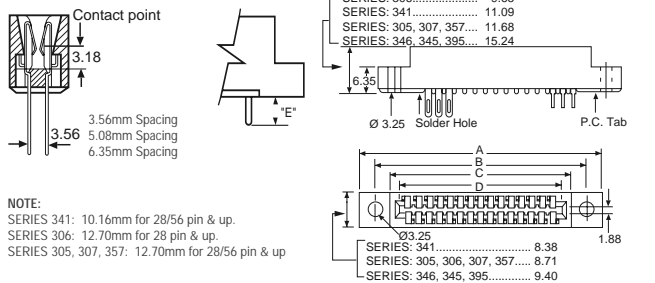


Fig.	Description	Length Ft. (M)	Digi-Key Part No.	1	10	100	EDAC Part No.
<b>WP20/22 Series — 22 AWG</b>							
1	Connector Plug, 2 Position, PCB Mount	—	151-1001-ND	87	7.70	61.60	566-002-420-101
2	Cable Assembly Plug, 2 Position	3 (91)	151-1002-ND	5.25	48.30	420.00	566-002-714-120
3	Assembly Receptacle, 2 Position	3 (91)	151-1003-ND	5.68	52.21	454.00	566-002-724-220
4	Connector Plug, 3 Position, PCB Mount	—	151-1004-ND	1.33	11.83	94.60	566-003-420-101
5	Cable Assembly Plug, 3 Position	3 (91)	151-1005-ND	7.78	71.53	622.00	566-003-714-120
6	Assembly Receptacle, 3 Position	3 (91)	151-1006-ND	1.18	75.21	654.00	566-003-724-220
7	Connector Plug, 5 Position, PCB Mount	—	151-1007-ND	8.98	17.60	140.80	566-005-420-101
8	Cable Assembly Plug, 5 Position	3 (91)	151-1008-ND	12.78	117.53	1022.00	566-005-714-120
9	Assembly Receptacle, 5 Position	3 (91)	151-1009-ND	13.05	120.06	1044.00	566-005-724-220
10	Connector Plug, 9 Position, PCB Mount	—	151-1010-ND	2.91	25.85	206.80	566-009-420-101
11	Assembly Receptacle, 9 Position	3 (91)	151-1011-ND	22.98	211.37	1838.00	566-009-724-220
<b>CL07C Series — 18 AWG</b>							
12	Cable Assembly Plug, 1 Position	3 (91)	151-1014-ND	3.40	31.28	272.00	568-001-734-100
13	Assembly Receptacle, 1 Position	3 (91)	151-1015-ND	3.05	28.06	244.00	568-001-744-200
<b>CL07D/E Series — 18 AWG</b>							
14	Connector Plug, 1 Position, PCB Mount	—	151-1016-ND	1.15	10.18	81.40	570-001-420-101
15	Cable Assembly Receptacle, 1 Position	3 (91)	151-1017-ND	3.95	36.34	316.00	570-001-744-200
16	Assembly Plug, 2 Position	3 (91)	151-1018-ND	6.53	60.03	522.00	570-002-734-100
17	Connector Plug, 2 Position, PCB Mount	—	151-1019-ND	1.40	12.38	99.00	570-002-420-101
18	Cable Assembly Receptacle, 2 Position	3 (91)	151-1020-ND	6.93	63.71	554.00	570-002-744-200
19	Cable Assembly Plug, 3 Position	3 (91)	151-1021-ND	10.28	94.53	822.00	570-003-734-100
20	Connector Plug, 3 Position, PCB Mount	—	151-1022-ND	2.42	21.45	171.60	570-003-420-101
21	Assembly Receptacle, 3 Position	3 (91)	151-1023-ND	10.63	97.75	850.00	570-003-744-200
—	Extraction Tool, 566 Series	—	151-1012-ND	205.35	—	—	566-280-300
—	Extraction Tool, 570 Series	—	151-1013-ND	147.08	—	—	570-280-300

## Edgeboard Connectors

MATERIALS: Insulator: Thermoplastic Polyester, UL 94V-0. Contacts: Copper, Nickel, Tin Alloy CA-725 or Phosphor Bronze. Contact Plating: Gold on Mating Area, Tin-Lead on the Contact Tails, Nickel Underplate. Colors: Series 305, 306, 307, 341, 345 and 346 are green. Series 357 and 395 are black. MECHANICAL: P.C. Card Slot: Accepts boards .054" (1.37mm) to .070" (1.78mm) thick. ELECTRICAL: Insulation Resistance: 5000 megohms at 500 VDC. Dielectric Withstanding Voltage: 1500 V.A.C. RMS at sea level. Current Rating: 3 Amperes. Contact Resistance: 6 Milliohms, maximum. ENVIRONMENTAL: Operating Temperature: -65° to +125°C.



NOTE:  
 SERIES 341: 10.16mm for 28/56 pin & up.  
 SERIES 306: 12.70mm for 28 pin & up.  
 SERIES 305, 307, 357: 12.70mm for 28/56 pin & up

Pos./Char.	Dimensions (mm)					Digi-Key Part No.	Pricing	EDAC Part No.
	A ±.38	B ±.20	C ±.38	D ±.15	E ±.51			
<b>Solder Tail — 3.56mm Spacing</b>								
<b>2.54mm Contact Centers</b>								
12	37.47	29.85	22.23	17.78	3.18	EDC341122-ND	2.39 21.18 169.40 654.50	341-012-520-202
20	47.63	40.01	32.39	27.94	3.18	EDC341202-ND	2.60 23.10 184.80 714.00	341-020-520-202
30	60.33	52.71	45.09	40.64	3.18	EDC341302-ND	2.88 25.58 204.60 790.50	341-030-520-202
40	73.03	65.41	57.79	53.34	3.18	EDC341402-ND	3.16 28.05 224.40 867.00	341-040-520-202
50	85.73	78.11	70.49	64.04	3.18	EDC341502-ND	3.50 31.08 248.60 961.50	341-050-520-202
<b>3.96mm Contact Centers</b>								
12	46.79	38.91	31.65	27.94	5.41	EDC305122-ND	1.43 12.65 101.20 391.00	305-012-500-202
20	62.64	54.76	47.50	43.79	5.41	EDC305202-ND	1.86 16.50 132.00 510.00	305-020-500-202
24	70.56	62.69	55.42	51.71	5.41	EDC305242-ND	2.14 18.98 151.80 586.50	305-024-500-202
30	82.45	74.57	67.31	63.60	5.41	EDC305302-ND	2.42 21.45 171.60 680.00	305-030-500-202
36	94.34	86.46	79.20	75.49	5.41	EDC305362-ND	2.76 24.48 195.80 756.50	305-036-500-202
44	110.19	102.31	95.05	91.34	5.41	EDC305442-ND	3.19 28.33 226.60 875.50	305-044-500-202
<b>Solder Tail — 5.08mm Spacing</b>								
<b>2.54mm Contact Centers</b>								
20	46.61	40.01	32.00	27.94	4.44	EDC395202-ND	2.17 19.25 154.00 595.00	395-020-520-202
26	54.23	47.63	39.62	35.56	4.44	EDC395262-ND	2.36 20.90 167.20 646.00	395-026-520-202
30	59.31	52.71	44.70	40.64	4.44	EDC395302-ND	2.48 22.00 176.00 680.00	395-030-520-202
34	64.39	57.79	49.78	45.72	4.44	EDC395342-ND	2.54 22.55 180.40 697.00	395-034-520-202
36	66.93	60.33	52.32	48.26	4.44	EDC395362-ND	2.60 23.10 184.80 714.00	395-036-520-202
40	72.01	65.41	57.40	53.34	4.44	EDC395402-ND	2.79 24.75 198.00 765.00	395-040-520-202
44	77.09	70.49	62.48	58.42	4.44	EDC395442-ND	2.95 26.13 209.00 807.50	395-044-520-202
50	84.71	78.11	70.10	66.04	4.44	EDC395502-ND	3.13 27.78 222.20 858.50	395-050-520-202
56	92.33	85.73	77.72	73.66	4.44	EDC395562-ND	3.32 29.43 235.40 909.50	395-056-520-202
60	97.41	90.81	82.80	78.74	4.44	EDC395622-ND	3.44 30.53 244.20 943.50	395-060-520-202
62	99.95	93.35	85.34	81.28	4.44	EDC395622-ND	3.53 31.35 250.80 969.00	395-062-520-202

Pos./Char.	Dimensions (mm)					Digi-Key Part No.	Pricing	EDAC Part No.	
	A ±.38	B ±.20	C ±.38	D ±.15	E ±.51				
<b>3.96mm Contact Centers</b>									
20	62.64	54.76	47.50	43.79	5.41	EDC357202-ND	1.98 17.60 140.80 544.00	357-020-520-202	
24	70.56	62.69	55.42	51.71	5.41	EDC357242-ND	2.08 18.43 147.40 569.50	357-024-520-202	
30	82.45	74.57	67.31	63.60	5.41	EDC357302-ND	2.39 21.18 169.40 654.00	357-030-520-202	
36	94.34	86.46	79.20	75.49	5.41	EDC357362-ND	2.73 24.20 193.60 748.00	357-036-520-202	
44	110.19	102.31	95.05	91.34	5.41	EDC357442-ND	3.10 27.50 220.00 850.00	357-044-520-202	
<b>Solder Tail — 6.35mm Spacing</b>									
<b>3.18mm Contact Centers</b>									
44	90.42	83.69	77.09	73.03	4.44	EDC346442-ND	3.22 28.60 228.80 884.00	346-044-520-202	
56	109.47	102.74	96.14	92.08	4.44	EDC346562-ND	3.60 31.90 255.20 986.00	346-056-520-202	
72	134.87	128.14	114.54	117.48	4.44	EDC346722-ND	4.34 38.50 308.00 1190.00	346-072-520-202	
100	179.32	172.59	165.99	161.93	4.44	EDC346102-ND	5.46 48.40 387.20 1496.00	346-100-520-202	
<b>Solder Tail — Center Spacing (Single Row)</b>									
<b>3.96mm Contact Centers</b>									
10	62.64	54.76	47.50	43.79	5.41	EDC306102-ND	1.77 15.68 125.40 484.50	306-010-520-102	
15	82.45	74.57	67.31	63.60	5.41	EDC306152-ND	2.39 21.18 169.40 654.50	306-015-520-102	
18	94.34	86.46	79.20	75.49	5.41	EDC306182-ND	2.76 24.48 195.80 756.50	306-018-520-102	
22	110.19	102.31	95.05	91.34	5.41	EDC306222-ND	3.22 28.60 228.80 884.00	306-022-520-102	
<b>Solder Eyelets — 3.56mm Spacing</b>									
<b>3.96mm Contact Centers</b>									
12	46.79	38.91	31.65	27.94	7.16	EDC305120-ND	1.43 12.65 101.20 391.00	305-012-500-202	
20	62.64	54.76	47.50	43.79	7.16	EDC305200-ND	1.86 16.50 132.00 510.00	305-020-500-202	
24	70.56	62.69	55.42	51.71	7.16	EDC305240-ND	2.14 18.98 151.80 586.50	305-024-500-202	
30	82.45	74.57	67.31	63.60	7.16	EDC305300-ND	2.42 21.45 171.60 663.00	305-030-500-202	
36	94.34	86.46	79.20	75.49	7.16	EDC305360-ND	2.76 24.48 195.80 756.50	305-036-500-202	
44	110.19	102.31	95.05	91.34	7.16	EDC305440-ND	3.41 30.25 242.00 935.00	305-044-500-202	
<b>Solder Eyelets — 5.08mm Spacing</b>									
<b>3.96mm Contact Centers</b>									
12	46.79	38.91	31.65	27.94	7.16	EDC307120-ND	1.52 13.48 107.80 416.50	307-012-500-202	
20	62.64	54.76	47.50	43.79	7.16	EDC307200-ND	1.98 17.60 140.80 544.00	307-020-500-202	
24	70.56	62.69	55.42	51.71	7.16	EDC307240-ND	2.08 18.43 147.40 569.50	307-024-500-202	
30	82.45	74.57	67.31	63.60	7.16	EDC307300-ND	2.39 21.18 169.40 654.00	307-030-500-202	
36	94.34	86.46	79.20	75.49	7.16	EDC307360-ND	2.73 24.20 193.60 748.00	307-036-500-202	
44	110.19	102.31	95.05	91.34	7.16	EDC307440-ND	3.19 28.33 226.80 875.50	307-044-500-202	
<b>Solder Eyelets — Center Spacing (Single Row)</b>									
<b>3.96mm Contact Centers</b>									
10	62.64	54.76	47.50	43.79	7.16	EDC306100-ND	1.77 15.68 125.40 484.50	306-010-500-102	
15	82.45	74.57	67.31	63.60	7.16	EDC306150-ND	2.39 21.18 169.40 654.50	306-015-500-102	
18	94.34	86.46	79.20	75.49	7.16	EDC306180-ND	2.76 24.48 195.80 756.50	306-018-500-102	
22	110.19	102.31	95.05	91.34	7.16	EDC306220-ND	3.22 28.60 228.80 884.00	306-022-500-102	
<b>Industry Standard Bus Systems</b>									
60	2.54	82.80	78.74			MULTIBUS I	EDC345602-ND	4.19 37.13 297.00 1147.50	345-060-524-201
120	2.54	159.00	154.94			VERSABUS	EDC345202-ND	6.98 61.88 495.00 1912.50	345-120-520-201
56	3.18	96.14							