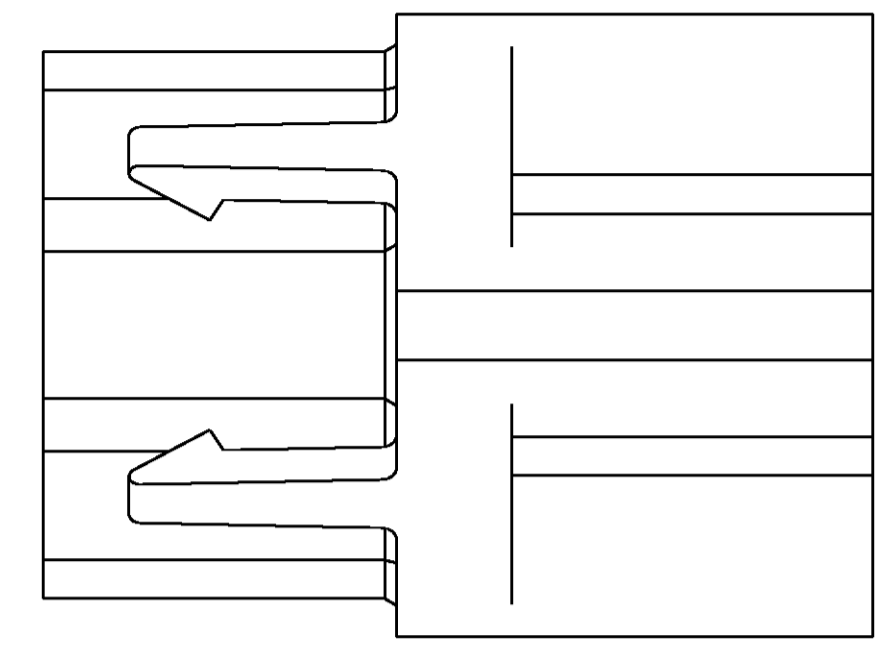
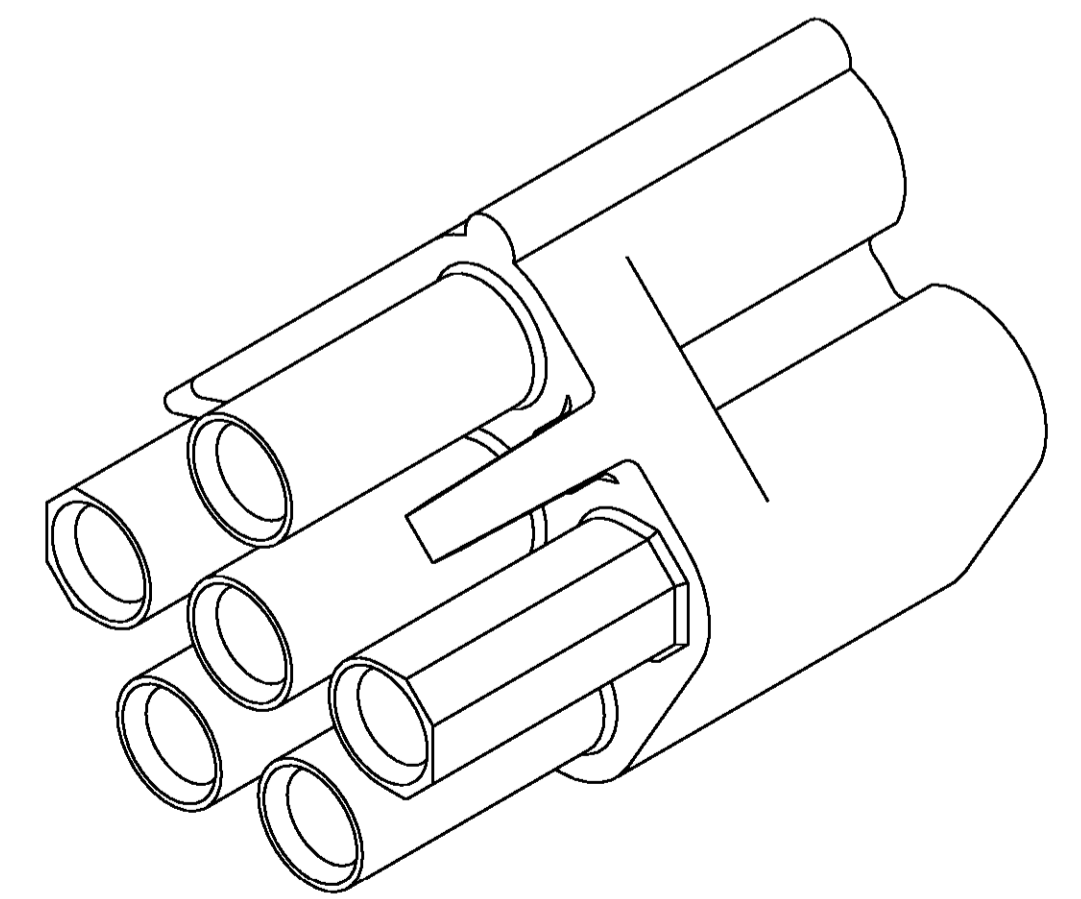
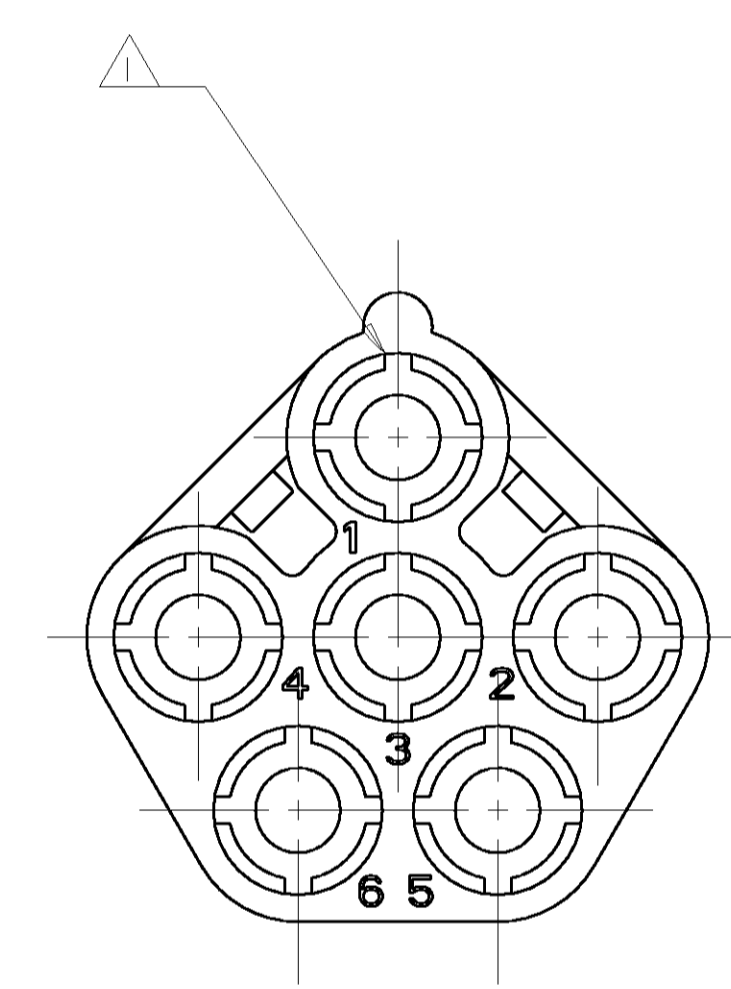
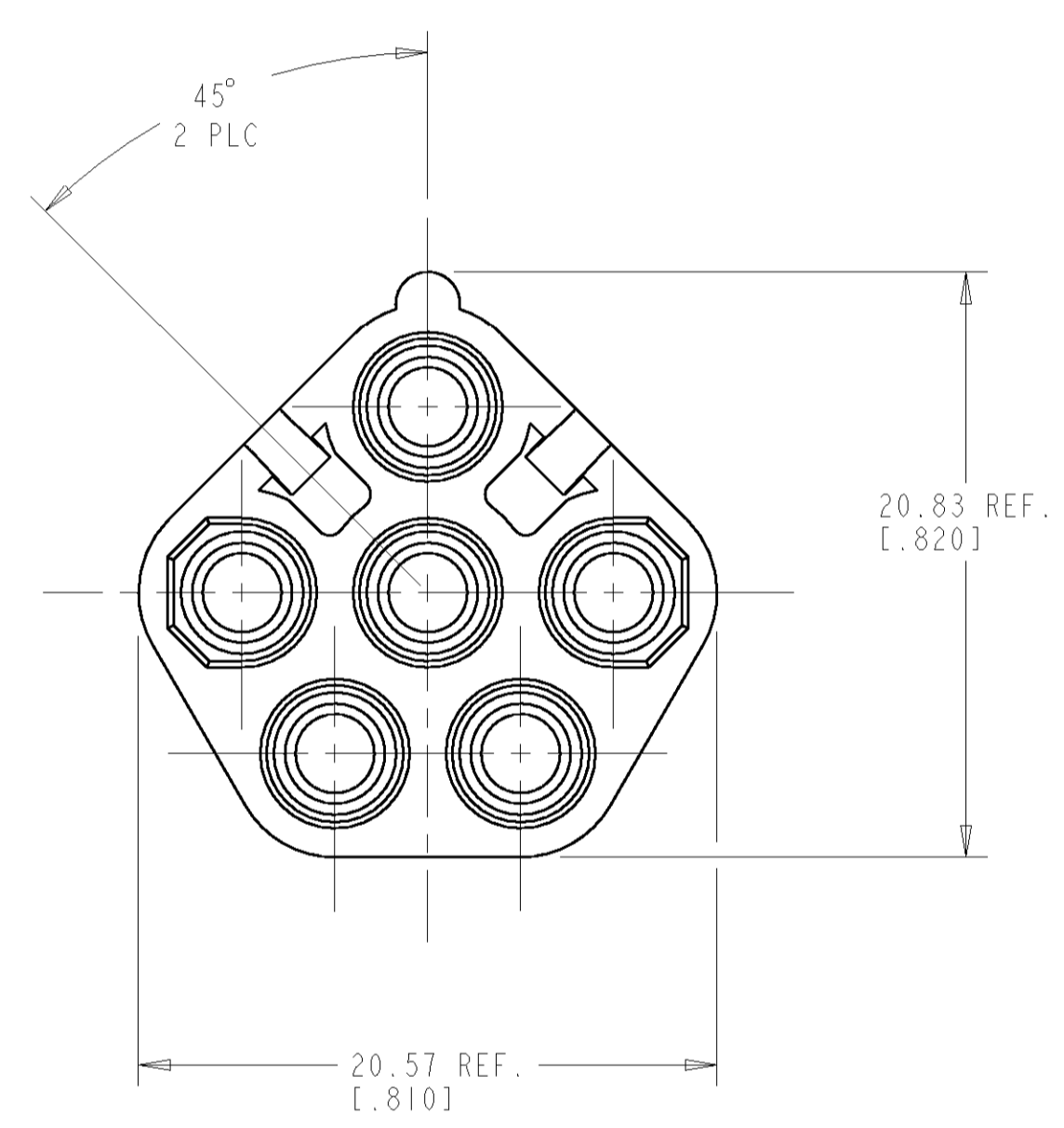
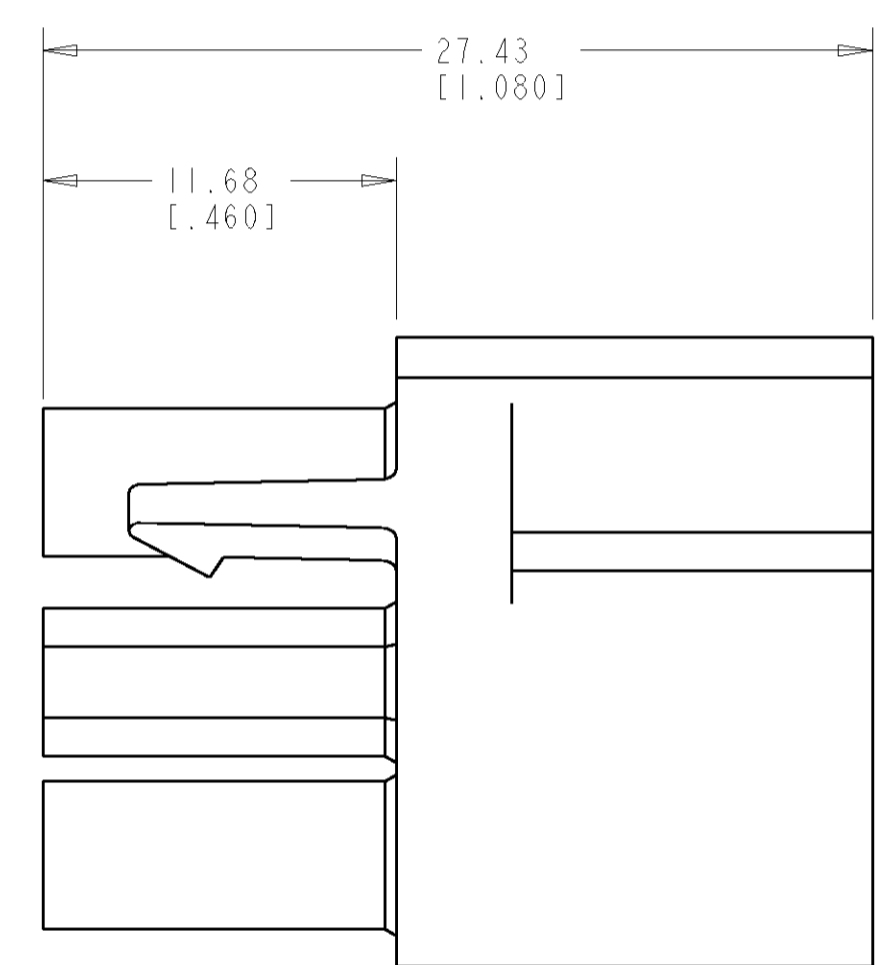


LOC	DIST	REVISIONS					
		P.	LTN	DESCRIPTION	DATE	DWN	APVD
CM	00	A		REVISED PER 0638-0550-01	02-OCT-01	KW	SR



△ FOUR RIBS EQUALLY SPACED, NO SPECIFIC ORIENTATION.



3-DIMENSIONAL MODEL
SCALE 4:1

NATURAL	794911-1
COLOR	PART NUMBER

<small>THIS DRAWING IS UNPUBLISHED. RELEASED FOR PUBLICATION BY TICO ELECTRONICS CORPORATION. ALL RIGHTS RESERVED.</small>		DWN R. WHITAKER 23-MAR-2001 ENR S. RIDGILL 23-MAR-2001 APVD S. RIDGILL 23-MAR-2001	AMP Incorporated Harrisburg, PA 17105-3608
DIMENSIONS: mm 0 PLC ± 1 PLC ± 2 PLC ±0.13(.005) 3 PLC ± 4 PLC ± ANGLES ±0°30'		TOLERANCES UNLESS OTHERWISE SPECIFIED: FINISH -	NAME PLUG, CIRCULAR, 6 CIRCUIT, UNIVERSAL MATE-N-LOK™ SIZE CAGE CODE DRAWING NO. RESTRICTED TO A 00779 C-794911 -
MATERIAL NYLON, UL 94V-2		PRODUCT SPEC APPLICATION SPEC WEIGHT - CUSTOMER DRAWING	SCALE 4:1 SHEET 1 OF 1 REV A

