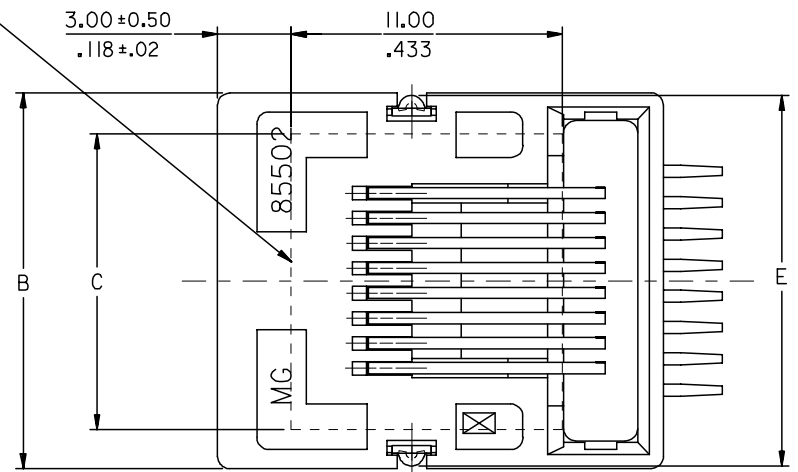
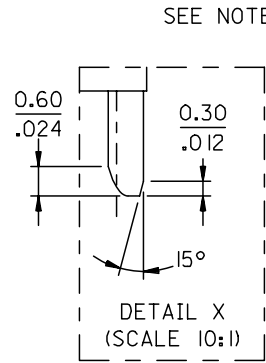
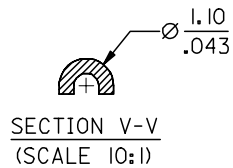


10 9 8 7 6 5 4 3 2 1



**NOTES:**

**1- MATERIAL:**

HOUSING: POLYAMIDE 4/6 GLASS FILLED  
UL-94V0 , COLOR BLACK  
TERMINAL: PHOSPHOR BRONZE PLATED WITH:  
0.00127/.000050 MIN GOLD IN CONTACT AREA,  
0.00190/.000075 MIN PURE TIN IN TAIL AREA,  
BOTH OVER 0.00127/.000050 MIN NICKEL OVERALL.  
SOLDER PEGS: BRASS PLATED WITH 0.0020/.000078 MIN TIN.

2- JACK FOR MATING WITH F.C.C.68 PLUGS.  
(MOLEX 90075 SERIES).

3- PRODUCT SPECIFICATION: MOLEX PS-85502.

4- APPLICATION SPECIFICATION: N.A.

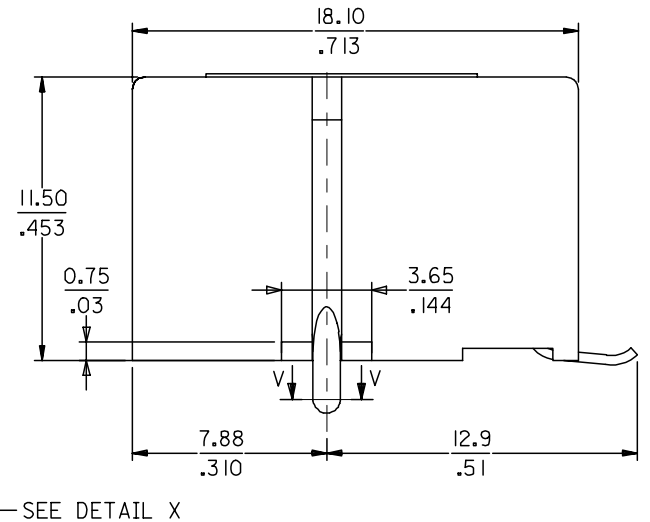
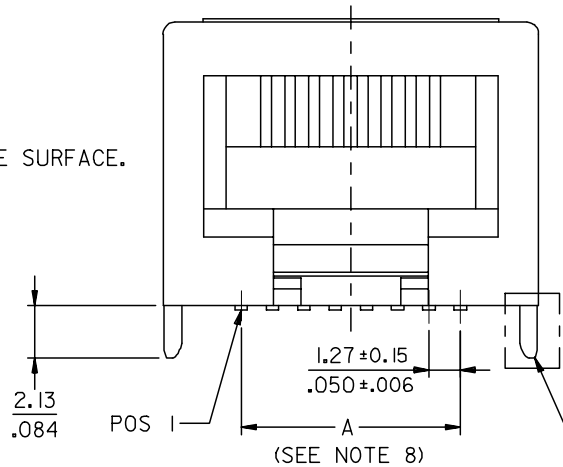
5- POLYIMIDE ADHESIVE TAPE FOR PICK & PLACE SURFACE.  
THICKNESS: 125 μm/4921 μ"

6- PACKAGING SPECIFICATION: MOLEX PK-85502.  
(BLISTER PACKAGING).

7- COPLANARITY OF SIGNAL LEADS: 0.10/.004

8- SEE DIMENSIONS IN CHART ON SHEET 2.

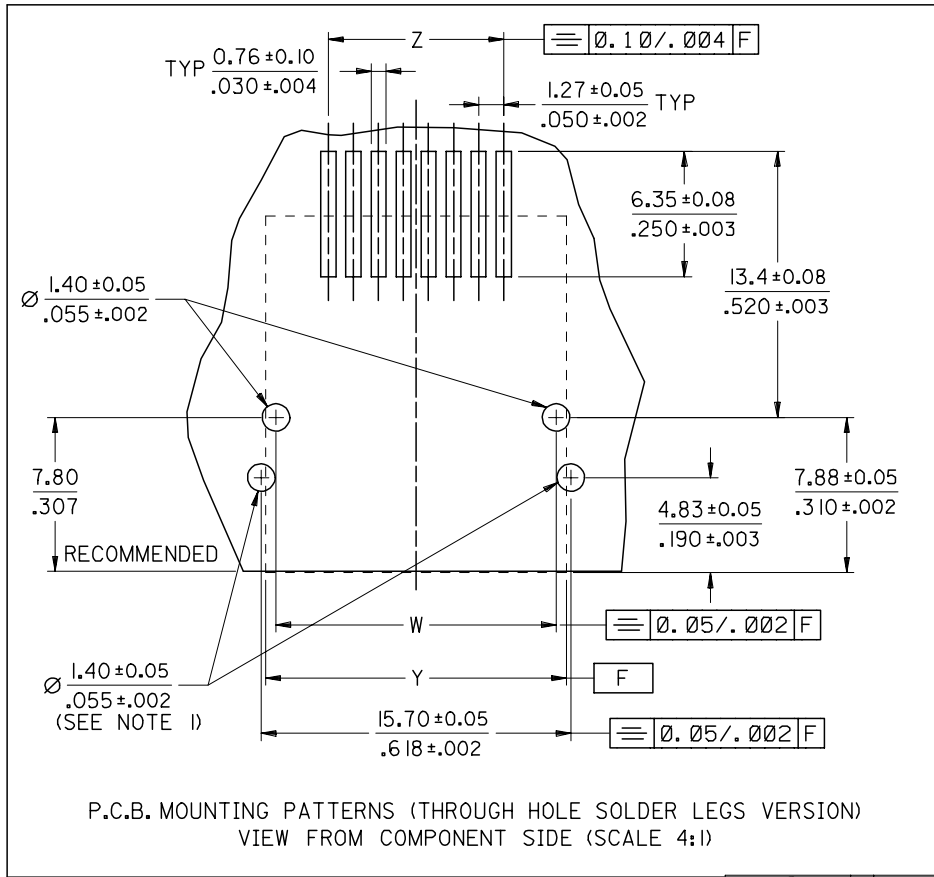
9- P.C. BOARD THICKNESS: 1.57/.062



ENTER DESCRIPTION EC NO: MG2005-0145 DRAWN: CSEBASTI 2004/10/20 CHKD: FCARBET 2004/10/20 APPR: KNOLLER 2004/11/02	QUALITY SYMBOLS ▽=0 ▽C=0	GENERAL TOLERANCES (UNLESS SPECIFIED)		DIMENSION STYLE	SCALE	DESIGN UNITS	THIRD ANGLE PROJECTION	
				MM/IN	5:1	METRIC		
		4 PLACES	± ---	± ---	DRAWN BY	DATE		TITLE
		3 PLACES	± ---	± .010	FB	96/04/02		R/A LOW PROFILE P.C.JACK SMT; 4,6 & 8 CKTS WITH THROUGH HOLE SOLDER PEGS
2 PLACES	± 0.25	± .014	CHCKED BY	DATE				
1 PLACE	± 0.35	± ---	FB	96/04/02				
		ANGULAR ± 2 °	APPROVED BY	DATE				
			JB	96/04/02				
			MATERIAL NO.	DOCUMENT NO.				
			SEE CHART SHT 2	SD-85502-003				
		DRAFT WHERE APPLICABLE MUST REMAIN WITHIN DIMENSIONS	SIZE	THIS DRAWING CONTAINS INFORMATION THAT IS PROPRIETARY TO MOLEX INCORPORATED AND SHOULD NOT BE USED WITHOUT WRITTEN PERMISSION				
			A3					

9 8 7 6 5 4 3 2 1

NOTE 1:  
TWO OPTIONAL HOLES FOR THE 8 POSITION-VERSION FOR THE COMPATIBILITY WITH THE INTERNAL SHIELDED VERSION.



STANDARD VERSION	PART NUMBERS FOR SMT JACK WITH THROUGH HOLE SOLDER PEGS							
	HOUSING COLOR	POS 4 4 CKTS	TOOLED	POS 6 4 CKTS	TOOLED	POS 6 6 CKTS	TOOLED	POS 8 8 CKTS
BLACK	85502-0009		85502-0010		85502-0011		85502-0012	

DIM	TYPE	POS 4	POS 6		POS 8
		4 CKTS	4 CKTS	6 CKTS	8 CKTS
A	±0.15 / .006	3.81 / .150	3.81 / .150	6.35 / .250	8.89 / .350
B		11.18 / .440	13.21 / .520	13.21 / .520	15.24 / .600
C		8.50 / .335	8.50 / .335	8.50 / .335	12.00 / .472
E		11.08 / .436	13.11 / .516	13.11 / .516	15.14 / .596
W	±0.05 / .002	10.13 / .399	12.16 / .479	12.16 / .479	14.19 / .559
Y (REF)		11.18 / .440	13.21 / .520	13.21 / .520	15.24 / .600
Z	±0.05 / .002	3.81 / .150	3.81 / .150	6.35 / .250	8.89 / .350

P.C.B. MOUNTING PATTERNS (THROUGH HOLE SOLDER LEGS VERSION)  
VIEW FROM COMPONENT SIDE (SCALE 4:1)

REV	DESCRIPTION
D	ENTER DESCRIPTION EC NO: MG2005-0145 2004/10/20 DRAWN: CSEBASTI 2004/10/20 CHKD: FCARABET 2004/10/20 APPR: KNOLLER 2004/11/02

GENERAL TOLERANCES (UNLESS SPECIFIED)	
4 PLACES	± --- ± ---
3 PLACES	± --- ± .010
2 PLACES	± 0.25 ± .014
1 PLACE	± 0.35 ± ---
ANGULAR ± 2 °	

DIMENSION STYLE	
MM/IN	
DRAWN BY	DATE
FB	96/09/06
CHECKED BY	DATE
FB	96/09/06
APPROVED BY	DATE
JB	96/09/06
MATERIAL NO.	
SEE CHART	

SCALE	DESIGN UNITS	THIRD ANGLE PROJECTION	
5:1	METRIC		
RIGHT ANGLE LOW PROFILE SMT PC JACK WITH THROUGH HOLE SOLDER PEGS			
MOLEX INCORPORATED			
DOCUMENT NO.	SHEET NO.		
SD-85502-003	2 OF 2		
THIS DRAWING CONTAINS INFORMATION THAT IS PROPRIETARY TO MOLEX INCORPORATED AND SHOULD NOT BE USED WITHOUT WRITTEN PERMISSION			