

番号 NO.	部品 PART	材質 MATERIAL
①	ウエハー WAFER	耐熱ナイロン, UL94V-0, 色: シート2参照 HEAT RESISTANCE NYLON, UL94V-0, COLOR: SEE SHEET 2
②	ソルダーピン SOLDER PIN	りん青銅 PHOSPHOR BRONZE 金メッキ: 0.1µmMIN. GOLD ニッケルメッキ(下地): 1.0µmMIN. NICKEL(UNDER PLATING)
③	ネイル NAIL	りん青銅 PHOSPHOR BRONZE 錫メッキ: 1.0µmMIN. TIN ニッケルメッキ(下地): 1.0µmMIN. NICKEL(UNDER PLATING)
④	カバーテープ COVER TAPE	ポリイミドテープ POLYIMIDE TAPE

NOTES.

- 嵌合相手: 501189-\*\*\*\*  
MATE WITH: 501189-\*\*\*\*
- ソルダーピン及びネイル平坦度は、0.1MAX.  
SOLDER PIN AND NAIL COPLANARITY TO BE 0.1MAX.
- 極数/2=偶数に適用  
APPLY FOR CKT SIZE/2=EVEN
- ELV 及び RoHS 適合品  
ELV AND RoHS COMPLIANT.

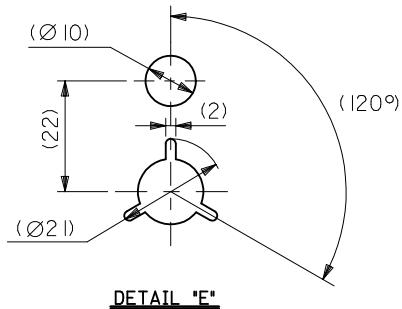
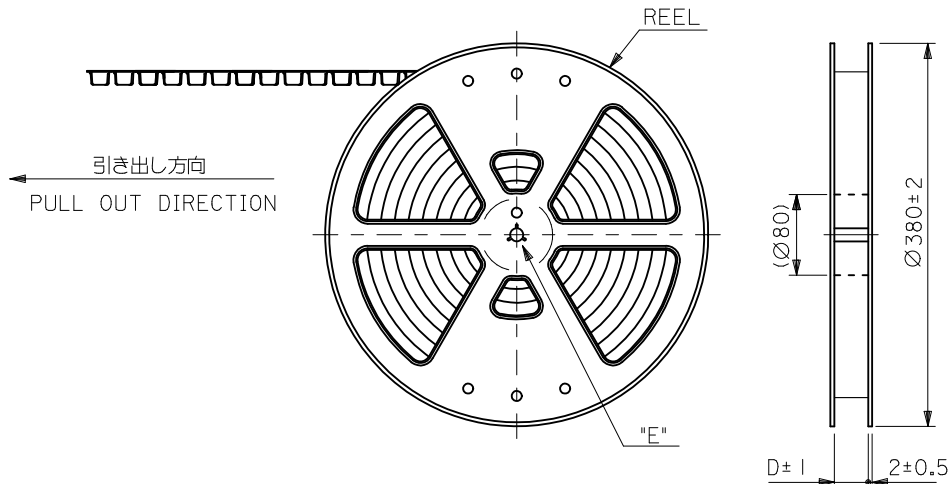
無 NO	24	27.3	501190-5027	501190-5029	50		
	19		501190-4027	501190-4029	40		
	14		501190-3027	501190-3029	30		
	9		501190-2027	501190-2029	20		
有 YES	24	26.8	27.3	501190-5017	501190-5019	50	
	19	21.8	22.3	501190-4017	501190-4019	40	
	14	16.8	17.3	501190-3017	501190-3019	30	
	9	11.8	12.3	501190-2017	501190-2019	20	
カバーテープの有無 COVER TAPE		C	B	A	EMBOSSED PACKAGE オーダー番号 ORDER NO.	CONNECTOR SERIES NO.	CKT

REVISED EC NO: J2012-0269 DR: NIKAWASHIO 2011/08/24 CHKD: KASAKAWA 2011/08/26 APPR: NUKIITA 2011/08/26	GENERAL TOLERANCES (UNLESS SPECIFIED)		DIMENSION STYLE MM ONLY		SCALE 5:1	DESIGN UNITS METRIC	THIRD ANGLE PROJECTION
	10 UNDER	±0.2	DRAWN BY NYOSHIDA	DATE 2004/12/17	TITLE 1.0 WIRE TO BOARD CONN. WAFER ASS'Y (2-ROW S/T) -LEAD FREE-		
	10 OVER 30 UNDER	±0.25	CHECKED BY MYAGI	DATE 2004/12/17			
	30 OVER	±0.3	APPROVED BY ANODA	DATE 2004/12/17	MOLEX MOLEX INCORPORATED		
REV	DESCRIPTION	ANGULAR ±3°	MATERIAL NO. SEE CHART	DOCUMENT NO. SD-501190-003	SHEET NO. 1 OF 2		
DRAFT WHERE APPLICABLE MUST REMAIN WITHIN DIMENSIONS		THIS DRAWING CONTAINS INFORMATION THAT IS PROPRIETARY TO MOLEX INCORPORATED AND SHOULD NOT BE USED WITHOUT WRITTEN PERMISSION					

有 YES	緑 GREEN	青 BLUE	赤 RED	黒 BLACK	色 COLOR	
	— / —	— / —	— / —	— / —	— / —	50
— / —	— / —	— / —	— / —	— / —	40	
501190-3056	501190-3054	501190-3052	501190-3051	30		
501190-2056	501190-2054	501190-2052	501190-2051	20		
COVER TAPE	EMBOSSSED PACKAGE オーダー番号 ORDER NO.				CKT.	CONNECTOR SERIES NO.

無 NO	自然色 NATURAL	色 COLOR	
	501190-5027	50	501190-**29
	501190-4027	40	
	501190-3027	30	
501190-2027	20		
COVER TAPE	EMBOSSSED PACKAGE オーダー番号 ORDER NO.	CKT.	CONNECTOR SERIES NO.
有 YES	自然色 NATURAL	色 COLOR	
	501190-5017	50	501190-**19
	501190-4017	40	
	501190-3017	30	
501190-2017	20		
COVER TAPE	EMBOSSSED PACKAGE オーダー番号 ORDER NO.	CKT.	CONNECTOR SERIES NO.

SEE SHEET 1 EC NO: J2012-0269 DRWN:KASHIO 2011/08/24 CHKD:KASAKAWA 2011/08/26 APPR:NUKITA 2011/08/26	DESCRIPTION REV	GENERAL TOLERANCES (UNLESS SPECIFIED)		DIMENSION STYLE MM ONLY		SCALE 5:1	DESIGN UNITS METRIC	THIRD ANGLE PROJECTION		
		10 UNDER	±0.2	DRAWN BY NYOSHIDA	DATE 2004/12/17	TITLE 1.0 WIRE TO BOARD CONN. WAFER ASS'Y (2-ROW S/T) -LEAD FREE-				
		10 OVER 30 UNDER	±0.25	CHECKED BY MYAGI	DATE 2004/12/17					
		30 OVER	±0.3	APPROVED BY ANODA	DATE 2004/12/17	MOLEX INCORPORATED				
		ANGULAR ±3 °		MATERIAL NO.						
DRAFT WHERE APPLICABLE MUST REMAIN WITHIN DIMENSIONS		SIZE A3	THIS DRAWING CONTAINS INFORMATION THAT IS PROPRIETARY TO MOLEX INCORPORATED AND SHOULD NOT BE USED WITHOUT WRITTEN PERMISSION							

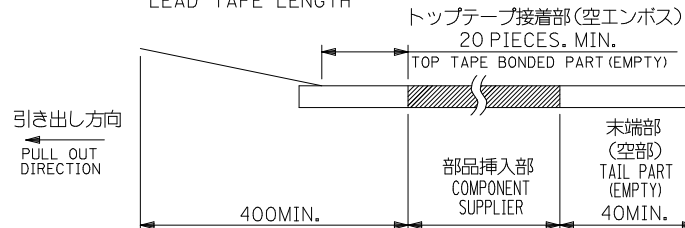


NOTES

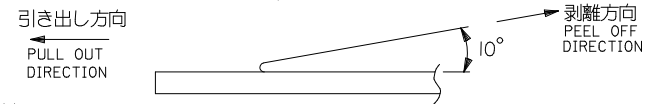
1. 製品詳細寸法については SD-501190-003 を参照ください。  
RE DETAILED DIMENSION, SEE SD-501190-003

2. 梱包数量：1100個/リール  
NUMBER OF CONNECTORS：1100PIECES/REEL

3. リードテープ長さ  
LEAD TAPE LENGTH



4. トップテープの剥離強度：0.1~1.3N(10.2~132.5gf)(剥離方向は下図参照)  
PEELING OFF FORCE OF TOP TAPE (PEELING DIRECTION AS SHOWN IN FOLLOWING FIGURE)  
尚、本規格値は、出荷時に適用。(但し、輸送時に剥離が発生しないこと)  
THIS REQUIREMENT SHOULD BE APPLIED AT SHIPMENT.  
PEEL OFF SHOULD NOT BE ALLOWED, DURING TRANSPORTATION.

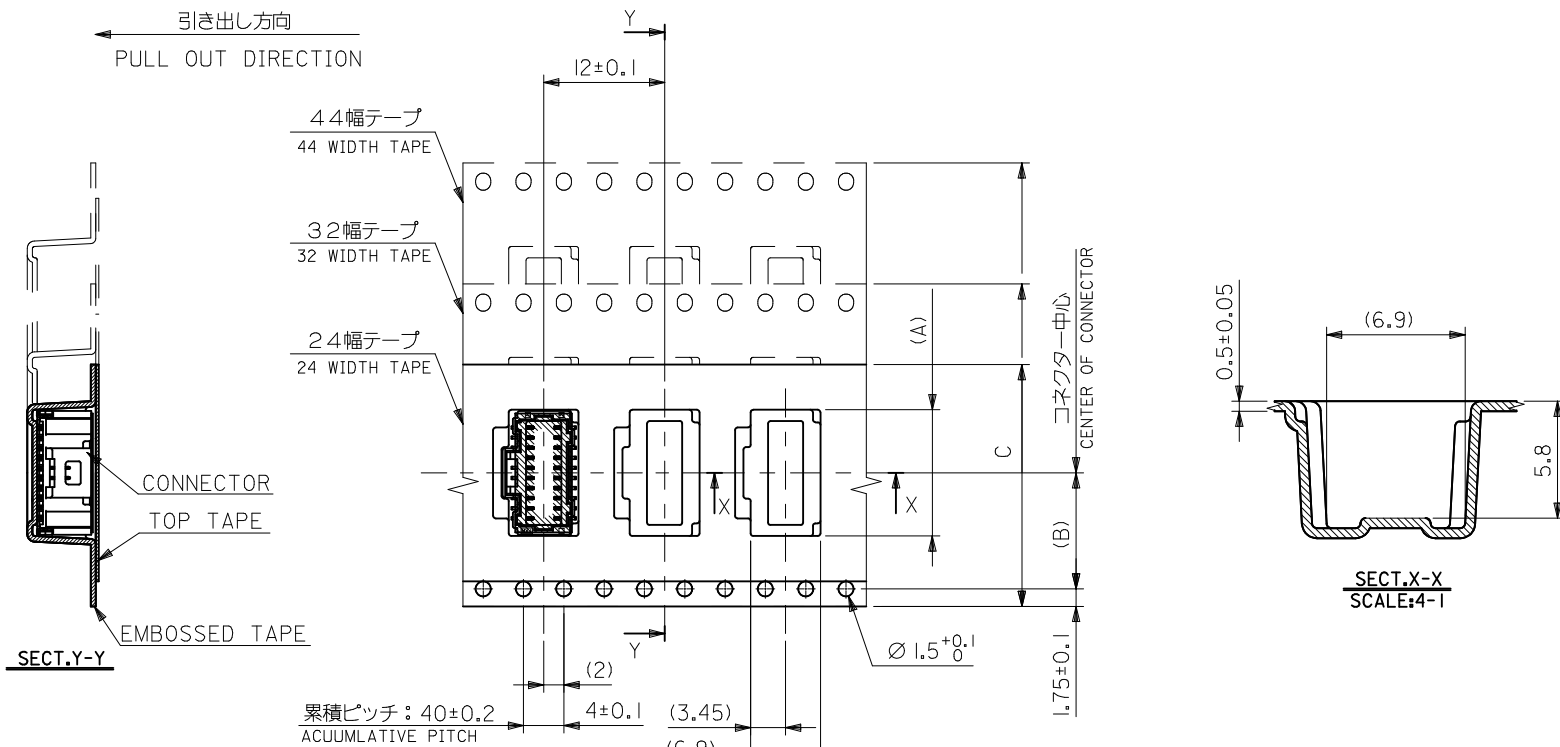


5. 材料  
MATERIAL  
キャリアテープ：ポリプロピレン  
CARRIER TAPE: POLYPROPYLENE  
トップテープ：PET, PE, REF  
TOP TAPE  
リール：ポリスチレン (リサイクル材を含む)  
REEL: POLYSTYRENE (RECYCLE MATERIAL CONTAINED)

6. 乾燥剤入り防湿梱包仕様になります。(501190-\*\*17, 501190-\*\*27以外)  
INCLUDING DESICCANT TAPING PACKAGE.  
(BESIDES 501190-\*\*17, 501190-\*\*27)

7. ELV 及び RoHS 適合品  
ELV AND RoHS COMPLIANT.

REVISED EC NO: J2012-0269 2011/08/24 DRWN:KAWASHIO 2011/08/26 CHKD:KASAKAWA 2011/08/26 APPR:NUKITA 2011/08/26	DESCRIPTION REV	GENERAL TOLERANCES (UNLESS SPECIFIED)		DIMENSION STYLE MM ONLY		SCALE ---	DESIGN UNITS METRIC	THIRD ANGLE PROJECTION		
		10 UNDER	±0.2	DRAWN BY NYOSHIDA	DATE 2004/12/17	TITLE 1.0 WIRE TO BOARD CONN. WAFER ASS'Y (2-ROW S/T) EMBTP PKG -LEAD FREE-				
		10 OVER 30 UNDER	±0.25	CHECKED BY MYAGI	DATE 2004/12/17	MOLEX INCORPORATED				
		30 OVER	±0.3	APPROVED BY ANODA	DATE 2004/12/17	DOCUMENT NO. SD-501190-004				
ANGULAR ±3 °		DRAFT WHERE APPLICABLE MUST REMAIN WITHIN DIMENSIONS		MATERIAL NO. SEE SHEET 2		SHEET NO. 1 OF 3		THIS DRAWING CONTAINS INFORMATION THAT IS PROPRIETARY TO MOLEX INCORPORATED AND SHOULD NOT BE USED WITHOUT WRITTEN PERMISSION		



無 NO	45.5	44±0.3	20.2	27.6	501190-5029	501190-5027	50
				22.6	501190-4029	501190-4027	40
	33.5	32±0.3	14.2	17.6	501190-3029	501190-3027	30
	25.5	24±0.3	11.5	12.6	501190-2029	501190-2027	20
有 YES	45.5	44±0.3	20.2	27.6	501190-5019	501190-5017	50
				22.6	501190-4019	501190-4017	40
	33.5	32±0.3	14.2	17.6	501190-3019	501190-3017	30
	25.5	24±0.3	11.5	12.6	501190-2019	501190-2017	20
				501190-207*	501190-205*		
				501190-207*	501190-205*		
吸着用カバーテープの有無 COVER TAPE	D	C	(B)	(A)	CONNECTOR SERIES NO.	EMBOSSED PACKAGE オーダー番号 ORDER NO.	CKTS.

REVISED EC NO: J2012-0269 2011/08/24 DRWN: KASHIO 2011/08/26 CHKD: KASAKAWA 2011/08/26 APPR: NUKITA 2011/08/26	GENERAL TOLERANCES (UNLESS SPECIFIED)		DIMENSION STYLE MM ONLY		SCALE ---	DESIGN UNITS METRIC	THIRD ANGLE PROJECTION
	10 UNDER	±0.2	DRAWN BY NYOSHIDA	DATE 2004/12/17	TITLE 1.0 WIRE TO BOARD CONN. WAFER ASS'Y (2-ROW S/T) EMBTP PKG -LEAD FREE-		
	10 OVER 30 UNDER	±0.25	CHECKED BY MYAGI	DATE 2004/12/17	MOLEX INCORPORATED		
	30 OVER	±0.3	APPROVED BY ANODA	DATE 2004/12/17	MATERIAL NO. SEE CHART	DOCUMENT NO. SD-501190-004	SHEET NO. 2 OF 3
	ANGULAR ±3 °	THIS DRAWING CONTAINS INFORMATION THAT IS PROPRIETARY TO MOLEX INCORPORATED AND SHOULD NOT BE USED WITHOUT WRITTEN PERMISSION					
	DRAFT WHERE APPLICABLE MUST REMAIN WITHIN DIMENSIONS						

有 YES	緑 GREEN	青 BLUE	赤 RED	黒 BLACK	色 COLOR	
	— / —	— / —	— / —	— / —	— / —	50
— / —	— / —	— / —	— / —	— / —	40	
501190-3056	501190-3054	501190-3052	501190-3051	30		
501190-2056	501190-2054	501190-2052	501190-2051	20		
COVER TAPE	EMBOSSED PACKAGE オーダー番号 ORDER NO.				CKT.	CONNECTOR SERIES NO.

無 NO	自然色 NATURAL	色 COLOR	
	501190-5027	50	501190-***29
501190-4027	40		
501190-3027	30		
501190-2027	20		
COVER TAPE	EMBOSSED PACKAGE オーダー番号 ORDER NO.	CKT.	CONNECTOR SERIES NO.

有 YES	自然色 NATURAL	色 COLOR	
	501190-5017	50	501190-***19
501190-4017	40		
501190-3017	30		
501190-2017	20		
COVER TAPE	EMBOSSED PACKAGE オーダー番号 ORDER NO.	CKT.	CONNECTOR SERIES NO.

<b>SEE SHEET 1</b> EC NO: J2012-0269 DRWN: KWASHIO 2011/08/24 CH'KD: KASAKAWA 2011/08/26 APPR: NUKITA 2011/08/26	GENERAL TOLERANCES (UNLESS SPECIFIED)		DIMENSION STYLE <b>MM ONLY</b>		SCALE ---	DESIGN UNITS <b>METRIC</b>	THIRD ANGLE PROJECTION
	10 UNDER	±0.2	DRAWN BY NYOSHIDA	DATE 2004/12/17	TITLE <b>1.0 WIRE TO BOARD CONN. WAFER ASS'Y (2-ROW S/T) EMBTP PKG -LEAD FREE-</b>		
	10 OVER 30 UNDER	±0.25	CHECKED BY MYAGI	DATE 2004/12/17	MOLEX INCORPORATED		
	30 OVER	±0.3	APPROVED BY ANODA	DATE 2004/12/17	DOCUMENT NO. <b>SD-501190-004</b>		
	ANGULAR ±3 °		MATERIAL NO.		SHEET NO. 3 OF 3		
	DRAFT WHERE APPLICABLE MUST REMAIN WITHIN DIMENSIONS	SEE CHART		THIS DRAWING CONTAINS INFORMATION THAT IS PROPRIETARY TO MOLEX INCORPORATED AND SHOULD NOT BE USED WITHOUT WRITTEN PERMISSION			