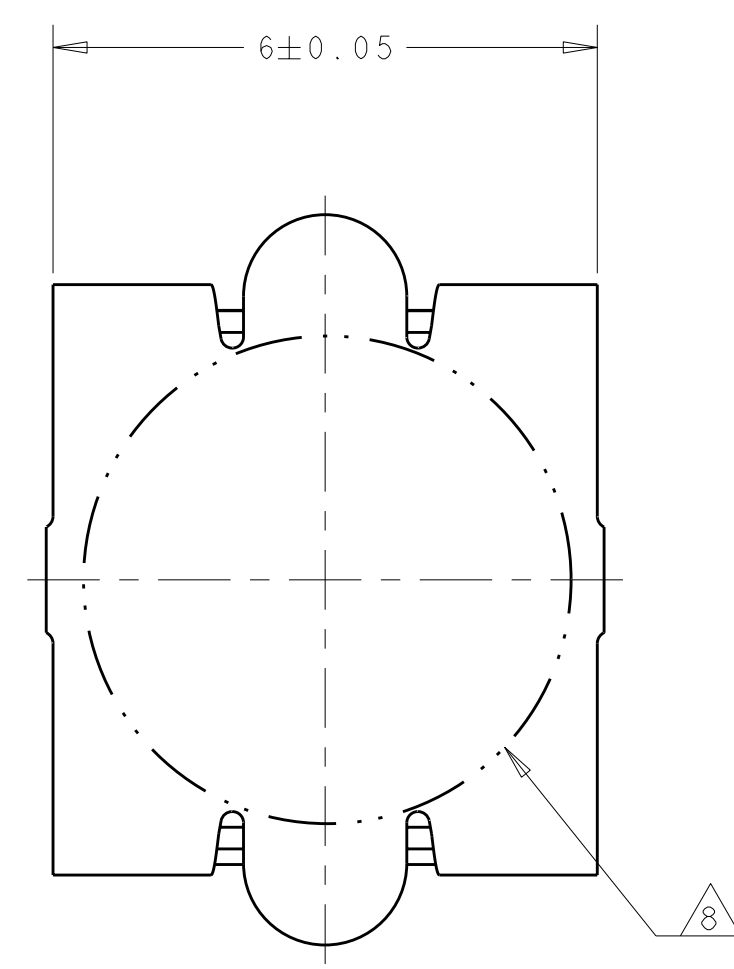
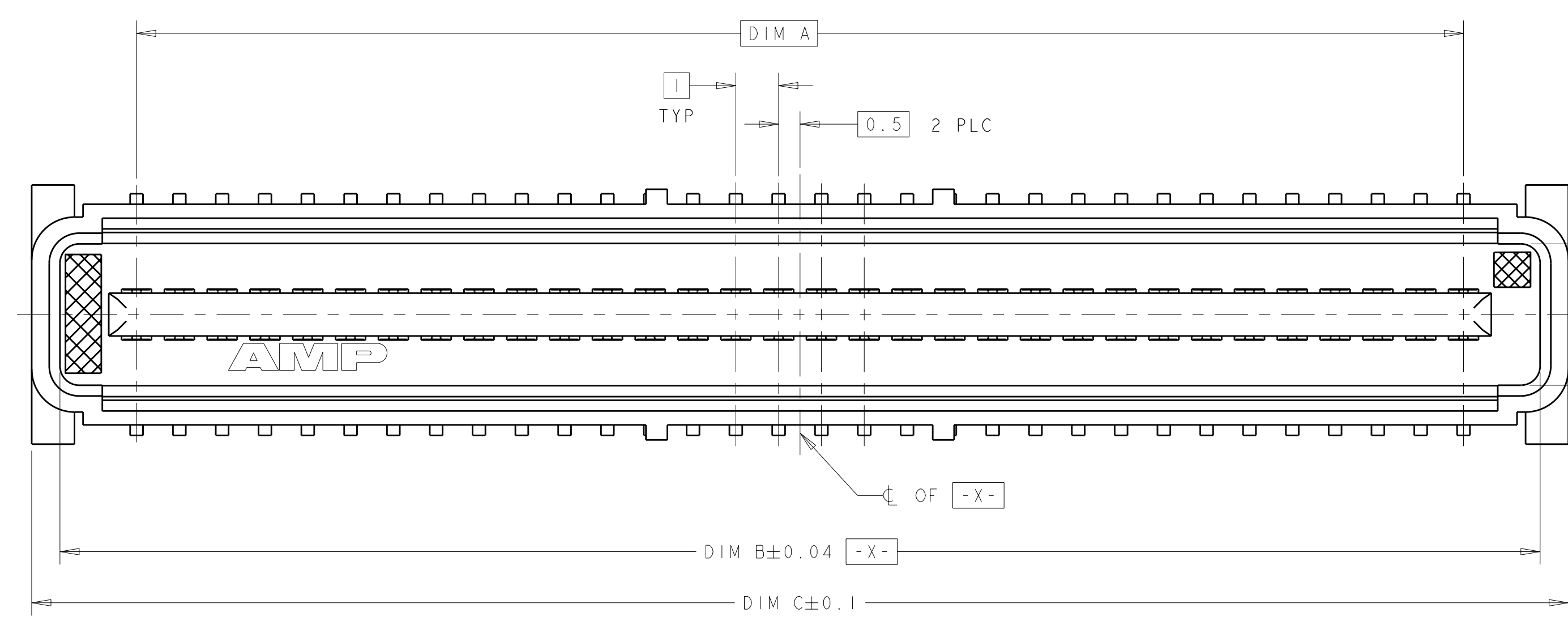
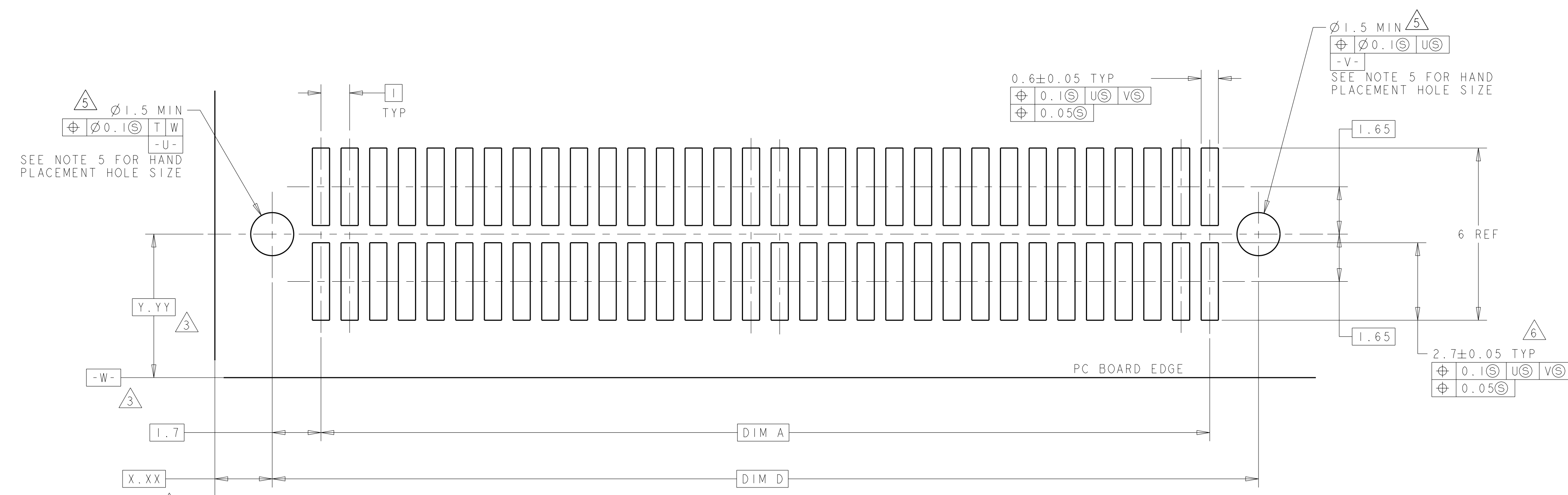
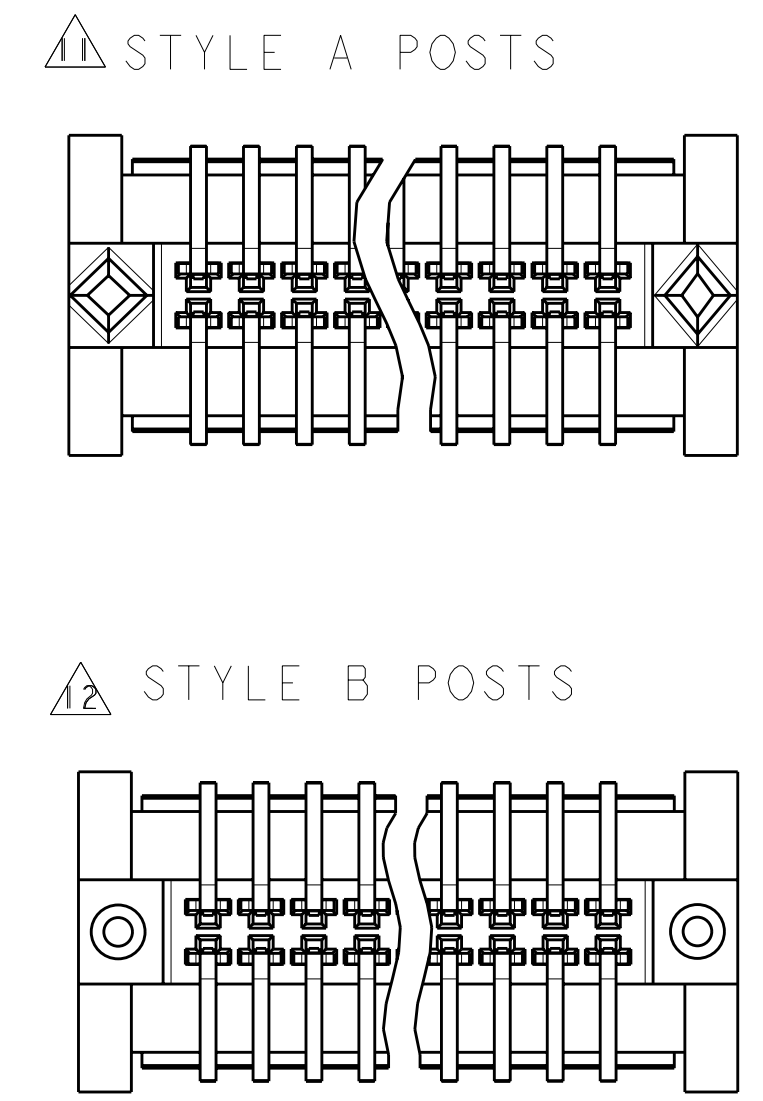
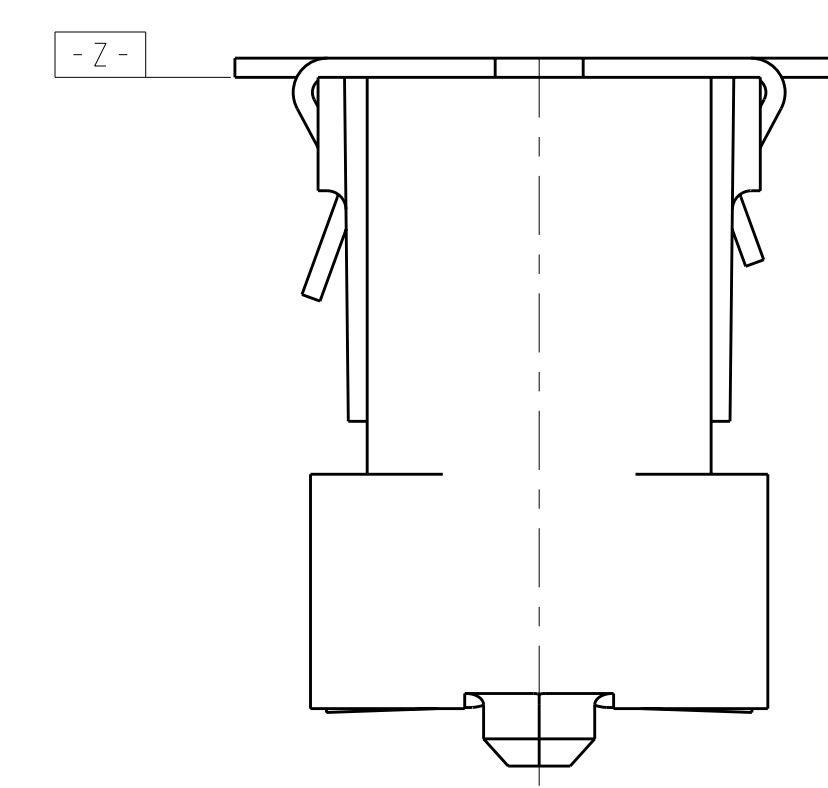
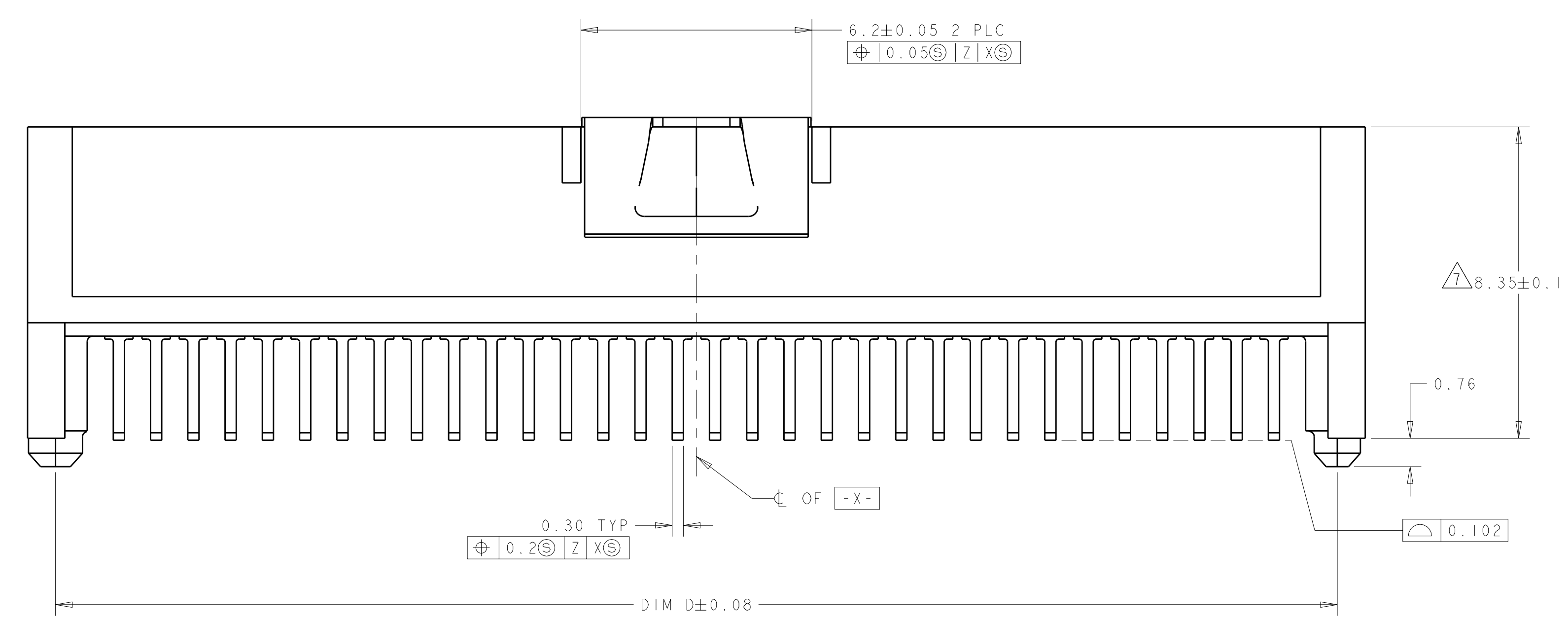


LOC	DIST	REV	DATE	BY	APP'D
AD	00	0	30SEP2004	BC	RW
		A	19JAN2007	BC	DB
		B	10JUL2008	DH	DB
		B1	25AUG2009	AEG	DD



- 1 HOUSING MATERIAL: LIQUID CRYSTAL POLYMER COLOR: BLACK. CONTACT MATERIAL: PHOSPHOR BRONZE.
- 2 CONTACT FINISH: NICKEL UNDERPLATE ALL OVER. MATING SURFACES PLATED TO MEET PLI PERFORMANCE REQUIREMENTS OF INDUSTRY SPECIFICATION EIA-700AAAB, SOLDER TAILS PLATED TIN.
- 3 DATUM LOCATIONS AND BASIC DIMENSIONS TO BE ESTABLISHED BY THE CUSTOMER. CONSULT AMP ENGINEERING WHEN PLACING MULTIPLE CONNECTORS ON A PC BOARD.
- 4 PACKAGED IN TAPE ON REELS PER EIA-841.
- 5 1.4±0.05 DIAMETER HOLE WHEN PLACING BY HAND.
- 6 SHORTER SOLDER LANDS MAY BE USED PER EIA 700AAAB, HOWEVER 2.7 LENGTH ASSURES OPTIMUM SOLDER FILLET.
- 7 REFERRED TO AS DIM N IN EIA 700AAAB SPECIFICATION.
- 8 VACUUM COVER NOT SHOWN IN SOME VIEWS FOR CLARITY.
- 9 5.5 MIN DIAMETER TARGET AREA FOR VACUUM PIP-UP.
- 10 CONTACT FINISH: 0.00381 MINIMUM MATTE TIN PER ASTM B 545 ON SOLDER AREA; 0.00127 MINIMUM GOLD PER ASTM B 488 ON MATING AREA BOTH OVER 0.00127 MINIMUM NICKEL PER SAE-AMS-QQ-N-290 ON ENTIRE CONTACT.
- 11 SQUARE AND DIAMOND SHAPED POSTS
- 12 ROUND SHAPED POSTS



POST STYLE	FINISH	DIM D	DIM C	DIM B	DIM A	STACK HEIGHTS	POS	PART NUMBER
12	9	44.4	45.9	44.58	41	10, 12, 13, 15	84	3-5146888-2
12	9	34.4	35.9	34.58	31	10, 12, 13, 15	64	3-5146888-1
12	2	44.4	45.9	44.58	41	10, 12, 13, 15	84	2-5146888-2
12	2	34.4	35.9	34.58	31	10, 12, 13, 15	64	2-5146888-1
11	9	44.4	45.9	44.58	41	10, 12, 13, 15	84	1-5146888-2
11	9	34.4	35.9	34.58	31	10, 12, 13, 15	64	1-5146888-1
11	2	44.4	45.9	44.58	41	10, 12, 13, 15	84	5146888-2
11	2	34.4	35.9	34.58	31	10, 12, 13, 15	64	5146888-1

RECOMMENDED PC BOARD LAYOUT

THIS IS DRAWING IS CONTROLLED TECHNOLOGY. UNLESS OTHERWISE SPECIFIED, DIMENSIONS SHALL BE CONTACTED FOR THE LATEST REVISION.

DIMENSIONS:	TOLERANCES UNLESS OTHERWISE SPECIFIED:	DWN	30SEP04		Tyco Electronics Corporation Harrisburg, PA 17105-3608
mm	9 PLC ± 1 PLC ±0.03 5 PLC ±0.003 4 PLC ± ANGLES ±0°30'	CHK	30SEP04		NAME
MATERIAL:	FINISH	APVD	30SEP04	SIZE	CAGE CODE DRAWING NO
	SEE TABLE	REVISIONS		SCALE	10:1

RESTRICTED TO