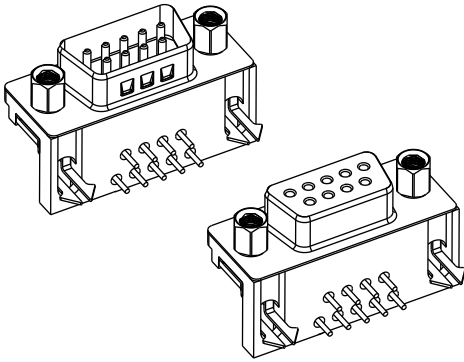


Standard Black Color

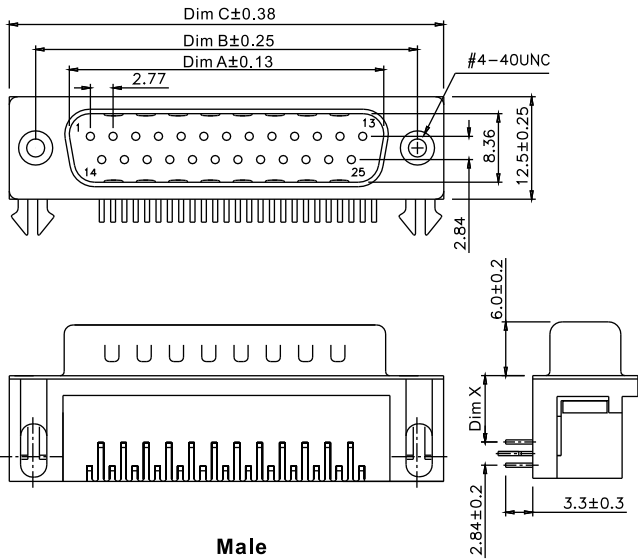


**Specifications**

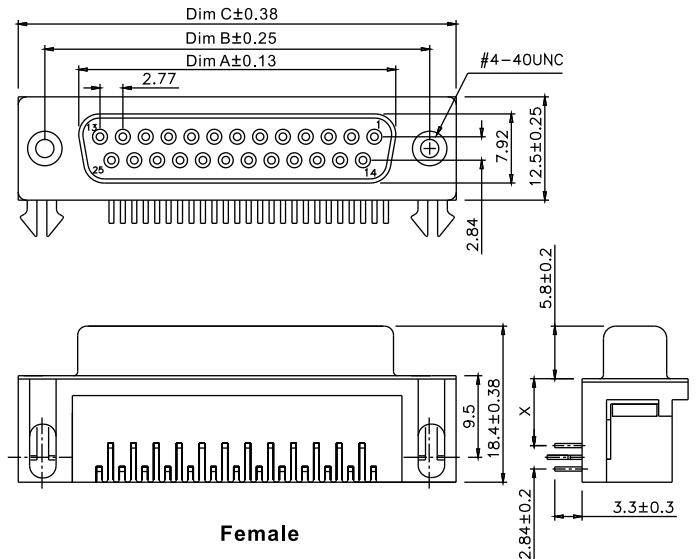
Current rating:3.0A AC/DC  
Voltage rating:250V AC/DC  
Contact resistance:30m ohm. max.  
Insulation resistance:5000M ohm. Min.  
Withstanding voltage:1000V AC for one minute  
Operating temperature range:-40°C to +85°C

**Material and Finish**

Insulator:High Temp. Plastic(UL94V-0)  
Contact:Copper Alloy Nickel Undercoated,  
Selective Gold Plated  
Finish:Metal Iron With Tin Plated



Male



Female

**Engineering Dimension**

Male				Female			
Circuits	Dim. A	Dim. B	Dim. C	Circuits	Dim. A	Dim. B	Dim. C
9	16.92	24.99	30.81	9	16.33	24.99	30.81
15	25.25	33.32	39.14	15	24.66	33.32	39.14
25	38.96	47.04	53.04	25	38.38	47.04	53.04
37	55.42	63.50	69.32	37	54.83	63.50	69.32

	Dim. X	Dim. Y
F1	8.08	9.50
F2	10.30	11.72

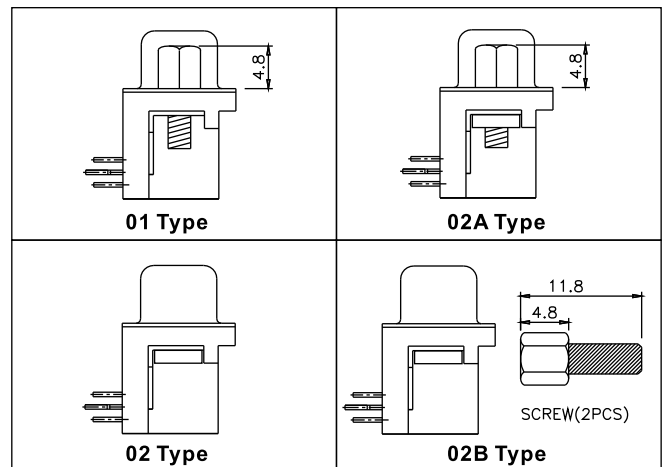
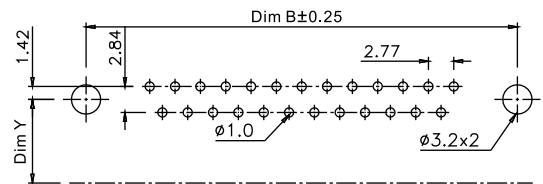
**Ordering Information**

**5504FX-XXP-XX-XX**

① ② ③ ④ ⑤

① Footprint F1:8.08mm F2:10.3mm	② No. Of Contacts ③ P:Male/S:Female	④ 01:Board Lock/Hex Screw 02:Rivet W/Board Lock 02A:Rivet W/Board Lock/Hex Screw 02B:Rivet W/Board Lock/ Attached Hex Screw	⑤ 01:Gold plated 03:High Quality Selective Gold
---------------------------------------	--	---	--

**Recommended PCB Layout**



Unit:mm