

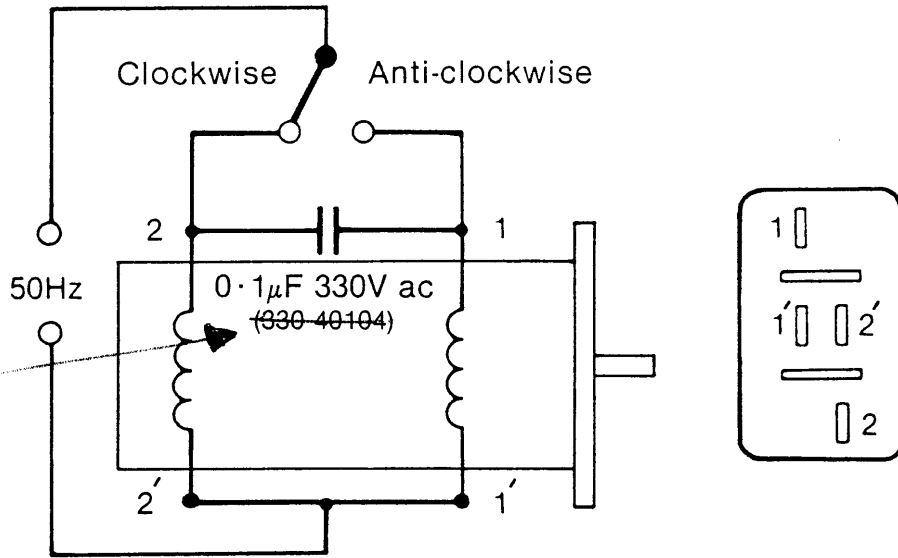


Farnell Technical Data Service

Farnell Electronic Components Limited
Canal Road, Leeds LS12 2TU.
Tel: Leeds (0532) 636311. Telex: 55147.

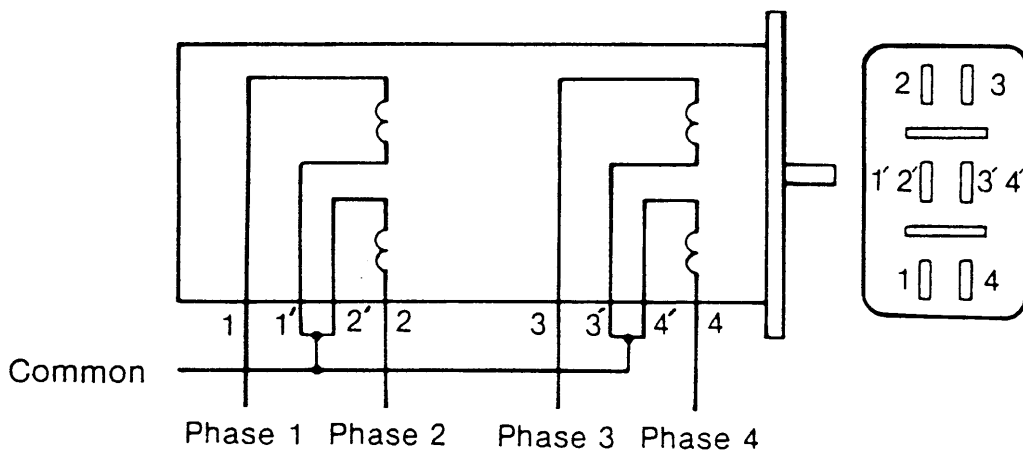
Pin Connections for 240 Volt ac Synchronous Motors Four Phase Unipolar Stepping Motors

Connections



Use 286-886
(0.1 μF 400V AC)

240 Volt ac Synchronous Motor (147-876 and 147-877)



Four Phase Unipolar Stepping Motor (147-878 and 147-879)