

PRODUCT DESCRIPTION

TRIAD™ 20 Panel Mount

Receptacles also comprises a die-cast zinc body and removable glass filled thermoplastic insert for pin or socket retention as detailed below. All metal-shell receptacles are fitted with a sealing ring.

The receptacles may be mounted inside or outside panels. For inside panel mounting maximum panel thickness is 3,2 mm (.125").

As with TRIAD™ 20 Plugs the receptacles are also available in three shell sizes, five contact configurations and optionally keying facility.

An insert retainer is also provided, which is discarded if backshells are used.

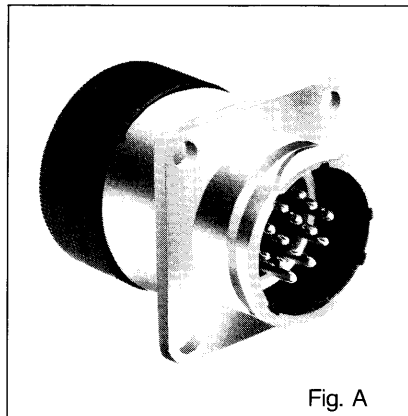


Fig. A

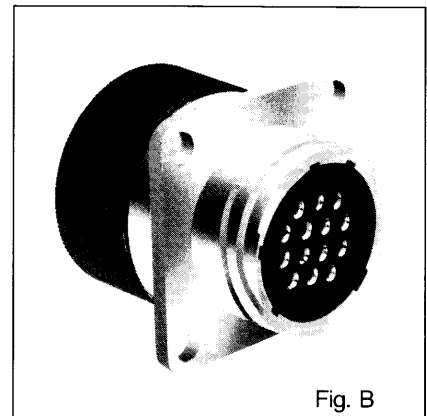
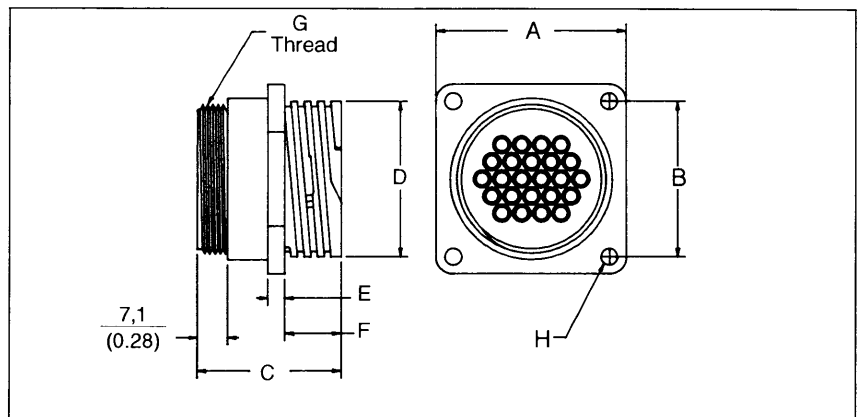


Fig. B



TRIAD™ 20 PANEL MOUNT RECEPTACLES FOR PIN CONTACTS (Fig A.)

Cat. No.	Shell Size	No. of Circuits	Panel Cut-out Ø mm (inch)	Dimensions in mm (inch)							
				A	B	C	D	E	F	G	H
M1131-P04	11	4	20,7 (0.82)	28,7 (1.13)	21,3 (0.84)	35,8 (1.41)	17,5 (0.69)	2,3 (.09)	11,4 (.45)	3/4-20	3,3 (.13)
M1731-P09	17	9	32,13 (1.27)	36,6 (1.44)	28,7 (1.13)	35,8 (1.41)	26,7 (1.05)	2,3 (.09)	11,4 (.45)	13/16-18	3,8 (.15)
M1731-P14	17	14	32,13 (1.27)	36,6 (1.44)	28,7 (1.13)	35,8 (1.41)	26,7 (1.05)	2,3 (.09)	11,4 (.45)	13/16-18	3,8 (.15)
M2331-P24	23	24	38,6 (1.52)	44,5 (1.75)	36,6 (1.44)	35,8 (1.41)	36,3 (1.43)	2,3 (.09)	13,5 (.53)	17/16-18	3,8 (.15)
M2331-P37	23	37	38,6 (1.52)	44,5 (1.75)	36,6 (1.44)	35,8 (1.41)	36,3 (1.43)	2,3 (.09)	13,5 (.53)	17/16-18	3,8 (.15)

TRIAD™ 20 PANEL MOUNT RECEPTACLES FOR SOCKET CONTACTS (Fig B.)

Cat. No.	Shell Size	No. of Circuits	Panel Cut-out Ø mm (inch)	Dimensions in mm (inch)							
				A	B	C	D	E	F	G	H
M1131-S04	11	4	20,7 (0.82)	28,7 (1.13)	21,3 (0.84)	29,5 (1.16)	17,5 (0.69)	2,3 (.09)	11,4 (.45)	3/4-20	3,3 (.13)
M1731-S09	17	9	32,13 (1.27)	36,6 (1.44)	28,7 (1.13)	29,5 (1.16)	26,7 (1.05)	2,3 (.09)	11,4 (.45)	13/16-18	3,8 (.15)
M1731-S14	17	14	32,13 (1.27)	36,6 (1.44)	28,7 (1.13)	29,5 (1.16)	26,7 (1.05)	2,3 (.09)	11,4 (.45)	13/16-18	3,8 (.15)
M2331-S24	23	24	38,6 (1.52)	44,5 (1.75)	36,6 (1.44)	29,5 (1.16)	36,3 (1.43)	2,3 (.09)	13,5 (.53)	17/16-18	3,8 (.15)
M2331-S37	23	37	38,6 (1.52)	44,5 (1.75)	36,6 (1.44)	29,5 (1.16)	36,3 (1.43)	2,3 (.09)	13,5 (.53)	17/16-18	3,8 (.15)

PRODUCT DESCRIPTION

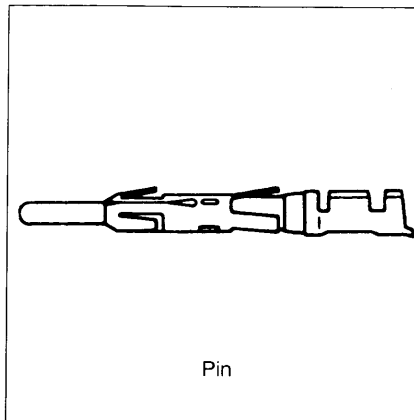
T93 Series Contacts, are precision stamped and formed from copper alloy. A stainless steel retainer clip provides positive and accurate location of contact within connector insert.

T93 Series Contacts are suitable for use with all TRIAD™ 10 and 20 Series connectors and are available with gold or tin plate finishes. Contacts are supplied as standard in loose piece form. For high volume applications contacts can be supplied on reels, for use with an automatic crimping machine.

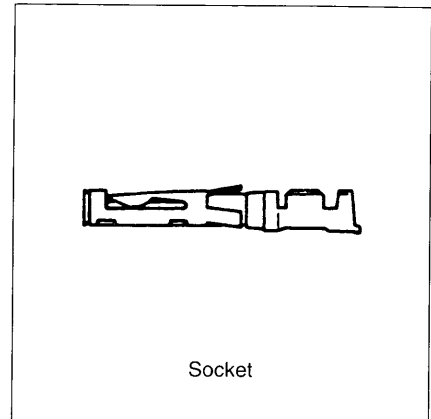
Contact Thomas & Betts Ltd for further details.

T93 Series Crimp Contacts are available in four sizes to cover a range of wire conductor sizes from 0.25mm² to 2.5mm². (see table below)

T93 Series Ground Pin Contacts are available in two sizes to cover a range of wire conductor sizes from 0.75mm² to 2.5mm². (see table below)
This style of pin contact has an extended pin length, which ensures first make/last break contact mating during connector coupling and uncoupling.



Pin



Socket

T93 Series Contact TECHNICAL DATA

Working voltage	250V
Current rating	13A
Contact resistance	<5mΩ
Gold plating	0.75 microns
Tin plating	2,54 microns
Contact body	Copper alloy
Retainer clip	Stainless steel
Insertion/extraction force	4.5N

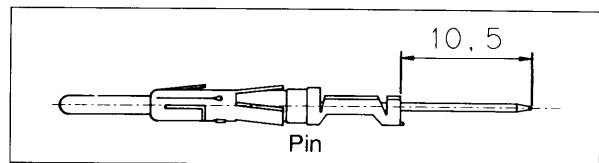
T93 SERIES PIN AND SOCKET CONTACTS - LOOSE PIECE

Cat. No. Pins		Cat. No. Sockets		Cat. No. Ground Pin		Wire size mm ²	Wire Insulation dia. mm
Tin plated	Gold plated	Tin plated	Gold plated	Tin plated	Gold plated		
T9321P-T2	T9321P-G2	T9321S-T2	T9321S-G2	-	-	0.25 - 0.50	*2.0 - 2.5
T9320P-T2	T9320P-G2	T9320S-T2	T9320S-G2	-	-	0.25 - 0.50	1.2 - 1.8
T9316P-T2	T9316P-G2	T9316S-T2	T9316S-G2	T9316G-T2	T9316G-G2	0.75 - 1.50	2.0 - 2.5
T9314P-T2	T9314P-G2	T9314S-T2	T9314S-G2	T9314G-T2	T9314G-G2	1.50 - 2.50	2.0 - 4.0

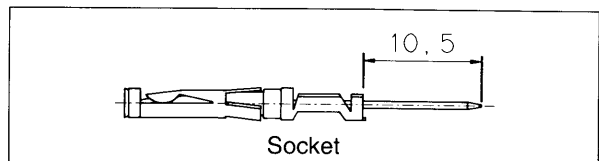
The above are supplied in packs of 100 pieces.
Application Tool WT10-04

T93 Series Solder-Pin Contacts permit the direct mounting of TRIAD™ connectors to printed circuit boards and flexi-circuits. Solder-pin tail length 10.5mm

Cat. No. Pins		Cat. No. Sockets	
Tin plated	Gold plated	Tin plated	Gold plated
T9301P-T2	T9301P-G2	T9301S-T2	T9301S-G2



Pin



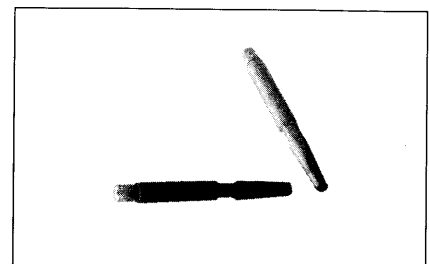
Socket

PRODUCT DESCRIPTION

Keying Pin suitable for use with both TRIAD™ 10 and 20 Plugs and Receptacles these moulded dummy pins can be installed in one or more unused contact positions.

Cat. No. T9KP16

Material:
Thermoplastic, 105°C with flammability rating per UL94-V2

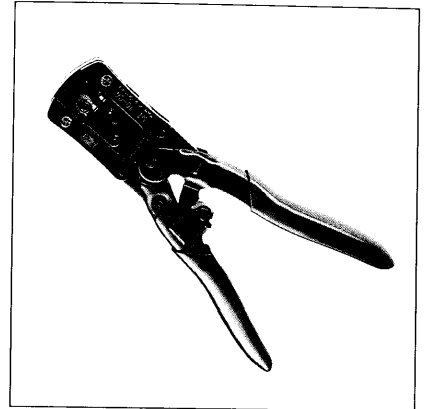


PRODUCT DESCRIPTION

Crimp Tool

A ratchet hand tool for crimping all TRIAD™ crimp contacts. The tool is fitted with six dies to cover wire sizes from 0.25mm² - 2.5 mm².

Cat. No. WT10-04

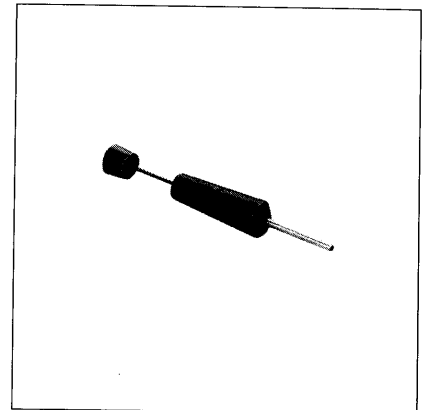


PRODUCT DESCRIPTION

Contact Removal Tool

A low cost plunger tool for removing contacts from TRIAD™ plug and receptacle inserts. Ideal for field service use or small batch production.

Cat. No. TRT16

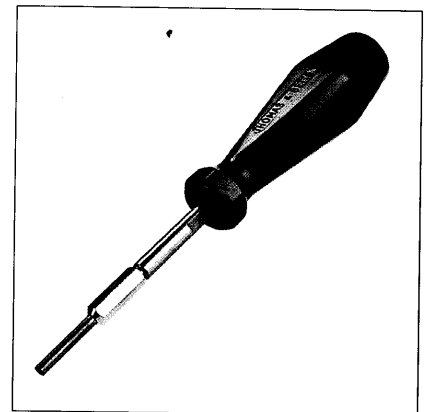


PRODUCT DESCRIPTION

Contact Removal Tool

A high quality tool for removing contacts from TRIAD™ plug and receptacle inserts. Intended for medium to high volume production use.

Cat. No. TRT16A



PRODUCT DESCRIPTION

Solder-pin Contact Insertion Tool

A high quality tool for inserting the T9301 series of solder-pin contacts into TRIAD™ plug and receptacle inserts.

Cat. No. TRT17

