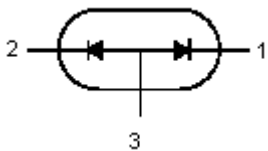


Features:

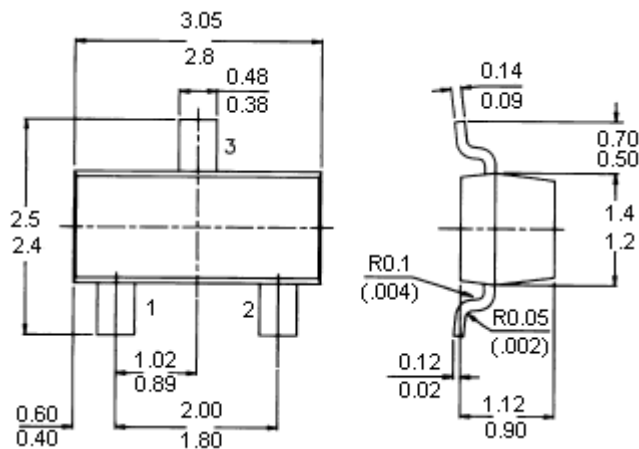
- Silicon planar epitaxial high-speed diodes.
- Silicon planar high-speed switching series diode pair.

Pin Configuration

1. Cathode (k1)
2. Cathode (k2)
3. Anode (a)



Package Outline Details



Dimensions : Millimetres

Absolute Maximum Ratings

Parameters	Symbol		Value	Units
Continuous reverse voltage	V_R	Maximum	75	V
Repetitive peak reverse voltage	V_{RRM}		85	
Repetitive peak forward current	I_{FRM}		450	mA
Junction temperature	T_j		150	°C
Forward voltage at $I_F = 50\text{mA}$	V_F	<	1.0	V
Reverse recovery time when switched from $I_F = 10\text{mA}$ to $I_R = 10\text{mA}$; $R_L = 100\Omega$; measured at $I_R = 1\text{mA}$	t_{rr}	<	4	ns
Recovery charge when switched from $I_F = 10\text{mA}$ to $V_R = 5\text{V}$; $R_L = 100\Omega$	Q_s	<	45	pC

Ratings (per diode) (at $T_A = 25^\circ\text{C}$ unless otherwise specified)

Limiting values	Symbol		Value	Units
Continuous reverse voltage	V_R	Maximum	75	V
Repetitive peak reverse voltage	V_{RRM}		85	
Forward current (DC)	I_F		215	mA
Repetitive peak forward current	I_{FRM}		450	
Non-repetitive peak forward current (per crystal) t = 1 μ s t = 1ms t = 1s	I_{FSM}			4 1 0.5
Storage temperature range	T_{stg}	-	-55 to +150	$^\circ\text{C}$
Junction temperature	T_j	Maximum	150	
Thermal Resistance				
From junction to ambient	$R_{th(j-a)}$	=	500	K/W

Characteristics (per diode) (at $T_A = 25^\circ\text{C}$ unless otherwise specified)

Limiting values	Symbol		Value	Units
$T_j = 25^\circ\text{C}$ unless otherwise specified	-	-	-	-
Forward voltage $I_F = 1\text{ mA}$ $I_F = 10\text{ mA}$ $I_F = 50\text{ mA}$ $I_F = 150\text{ mA}$	V_F	<	715 855 1000 1250	mV
Reverse current $V_R = 25\text{V}; T_j = 150^\circ\text{C}$ $V_R = 75\text{V}$ $V_R = 75\text{V}; T_j = 150^\circ\text{C}$	I_R	<	30 1.0 50	mA
Diode capacitance $V_R = 0; f = 1\text{MHz}$	C_d	<	2.0	pF
Forward recovery voltage when switched to $I_F = 10\text{mA}; t_r = 20\text{ns}$	V_{fr}	<	1.75	V

Specifications

V_{RRM} (V)	$I_{F(av)}$ (mA)	V_f (V) at $I_f = 150\text{mA}$	Device Marking	Package	Type	Package	Part Number
70	200	1.25	A1	SOT-23	Dual Diode, Common Anode	8mm Tape	BAW56

Notes:

International Sales Offices:



AUSTRALIA – Farnell InOne
Tel No: ++ 61 2 9645 8888
Fax No: ++ 61 2 9644 7898



FINLAND – Farnell InOne
Tel No: ++ 358 9 560 7780
Fax No: ++ 358 9 345 5411



NETHERLANDS – Farnell InOne
Tel No: ++ 31 30 241 7373
Fax No: ++ 31 30 241 7333



SWITZERLAND – Farnell InOne
Tel No: ++ 41 1 204 64 64
Fax No: ++ 41 1 204 64 54



AUSTRIA – Farnell InOne
Tel No: ++ 43 662 2180 680
Fax No: ++ 43 662 2180 670



FRANCE – Farnell InOne
Tel No: ++ 33 474 68 99 99
Fax No: ++ 33 474 68 99 90



NEW ZEALAND – Farnell InOne
Tel No: ++ 64 9 357 0646
Fax No: ++ 64 9 357 0656



UK – Farnell InOne
Tel No: ++ 44 8701 200 200
Fax No: ++ 44 8701 200 201



BELGIUM – Farnell InOne
Tel No: ++ 32 3 475 2810
Fax No: ++ 32 3 227 3648



GERMANY – Farnell InOne
Tel No: ++ 49 89 61 39 39 39
Fax No: ++ 49 89 613 59 01



NORWAY – Farnell InOne
Tel No: ++ 45 44 53 66 66
Fax No: ++ 45 44 53 66 02



UK – BuckHickman InOne
++ 44 8450 510 150
++ 44 8450 510 130



BRAZIL – Farnell-Newark InOne
Tel No: ++ 55 11 4066 9400
Fax No: ++ 55 11 4066 9410



HONG KONG – Farnell-Newark InOne
Tel No: ++ 852 2268 9888
Fax No: ++ 852 2268 9899



PORTUGAL – Farnell InOne
Tel No: ++ 34 93 475 8804
Fax No: ++ 34 93 474 5288



UK – CPC
++ 44 8701 202 530
++ 44 8701 202 531



CHINA – Farnell-Newark InOne
Tel No: ++86 10 6238 5152
Fax No: ++86 10 6238 5022



IRELAND – Farnell InOne
Tel No: ++ 353 1 830 9277
Fax No: ++ 353 1 830 9016



SINGAPORE – Farnell-Newark InOne
Tel No: ++ 65 6788 0200
Fax No: ++ 65 6788 0300



EXPORT – Farnell InOne
Tel No: ++ 44 8701 200 208
Fax No: ++ 44 8701 200 209

For enquiries from all other markets



DENMARK – Farnell InOne
Tel No: ++ 45 44 53 66 44
Fax No: ++ 45 44 53 66 06



ITALY – Farnell InOne
Tel No: ++ 39 02 93 995 200
Fax No: ++ 39 02 93 995 300



SPAIN – Farnell InOne
Tel No: ++ 34 93 475 8805
Fax No: ++ 34 93 474 5107



ESTONIA – Farnell InOne
Tel No: ++ 358 9 560 7780
Fax No: ++ 358 9 345 5411



MALAYSIA – Farnell-Newark InOne
Tel No: ++ 60 3 7873 8000
Fax No: ++ 60 3 7873 7000



SWEDEN – Farnell InOne
Tel No: ++ 46 8 730 50 00
Fax No: ++ 46 8 83 52 62

<http://www.farnellinone.com>

<http://www.buckhickmaninone.com>

<http://www.cpc.co.uk>

Disclaimer This data sheet and its contents (the "Information") belong to the Premier Farnell Group (the "Group") or are licensed to it. No licence is granted for the use of it other than for information purposes in connection with the products to which it relates. No licence of any intellectual property rights is granted. The Information is subject to change without notice and replaces all data sheets previously supplied. The Information supplied is believed to be accurate but the Group assumes no responsibility for its accuracy or completeness, any error in or omission from it or for any use made of it. Users of this data sheet should check for themselves the Information and the suitability of the products for their purpose and not make any assumptions based on information included or omitted. Liability for loss or damage resulting from any reliance on the Information or use of it (including liability resulting from negligence or where the Group was aware of the possibility of such loss or damage arising) is excluded. This will not operate to limit or restrict the Group's liability for death or personal injury resulting from its negligence. Multicomp is the registered trademark of the Group. © Premier Farnell plc 2004.