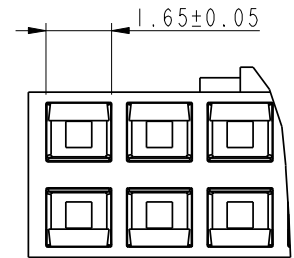
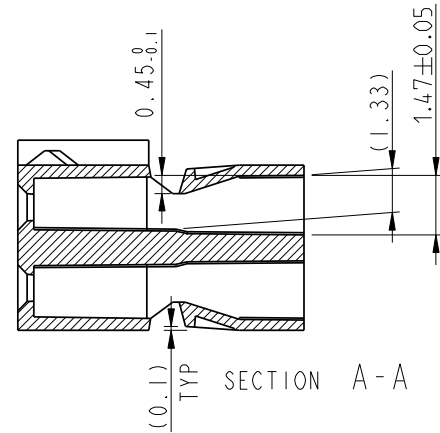
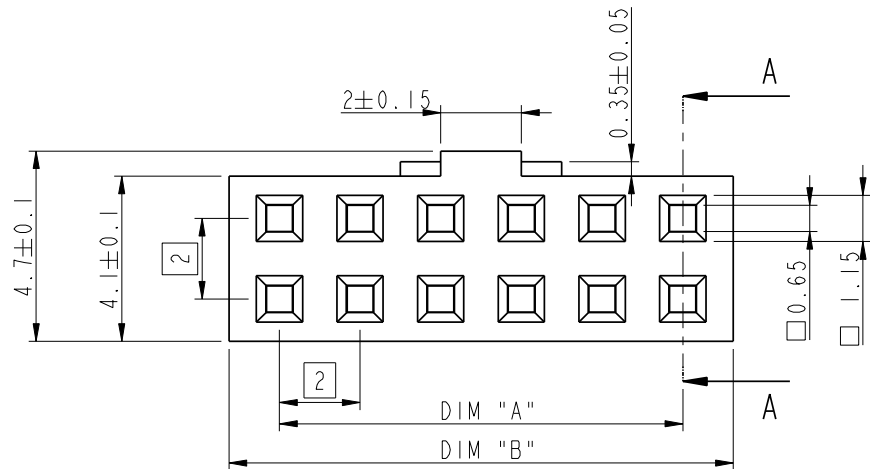
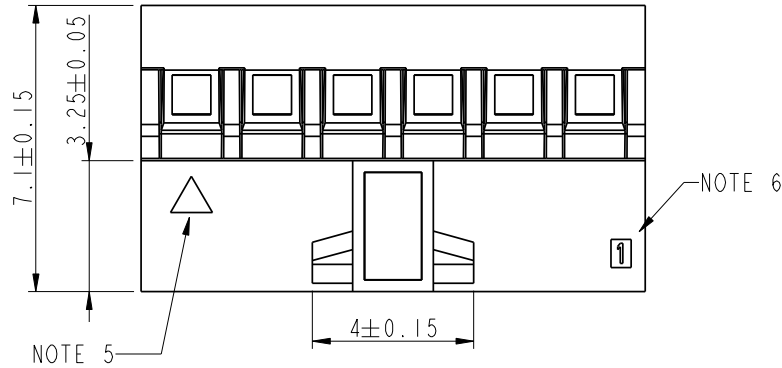


PRODUCT NUMBER  
90311-0XXLF

TOTAL NUMBER OF POS 04 UP TO 50

NOTES:

- 1 - MATERIAL : PA66 25% GLASSFILLED, UL94V-0 COLOR BLACK.
- 2 - SHEET 2 SHOWS THE SINGULAR LATCHING FEATURE FOR 2X2
- 3 - PRODUCT MEETS EUROPEAN UNION DIRECTIVES AND OTHERS REGULATIONS AS DESCRIBED IN GS-22-008.
- 4 - THIS PRODUCT IS NOT INTENDED TO BE EXPOSED TO MANUFACTURING SOLDER PROCESSES.
- 5 - CODING TRIANGLE INDICATES POS 1 WHEN MATED WITH MINITEK HEADER SERIES 98414 / 98417 / 98424 / 98464 / 10072354 / 10074920 AND 10075974.
- 6 - INDICATES POS 1, WHEN MATED WITH SERIES 90309 / 95609 / AND 95615.
- 7 - FOR USE WITH MINITEK CRIMP TO WIRE CONTACT 77138 (26-30AWG) AND 10044403 (22-24AWG).
- 8 - PRODUCT SPECIFICATION AS PER 110-036, CRIMP RECOMMENDATIONS AS PER GS-20-052



rev	ecn no	dr	date
T	V08-0392	HTB	2008-09-12
U	F12-0004	JCO	12.01.04

TOLERANCES UNLESS OTHERWISE SPECIFIED			
LINEAR	0.X	±0.3	-
	0.XX	±0.13	-
	0.XXX	±0.050	-
ANGULAR	0°	±2°	-

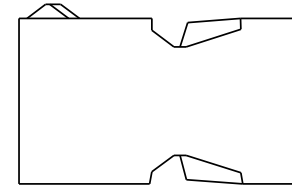
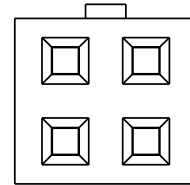
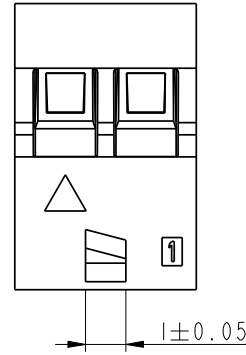
Material		SEE NOTE 1	Spec ref	
Mat code		N/A	tolerance	projection
Heattreat		N/A		
Plating/Finish		N/A		
Dr	D WHITING	1991-08-27	size	Scale
Eng	S. OLSON	1991-08-27		
Chr	J.COMPAGNON	11.12.01	Product family	
Appr	JCO	11.12.01	Model Name	
			Model Revision	
Title		MINITEK CTW HSG.DBL ROW		90311
Title		POL & LATCHING, HIGH TEMPERATURE		U
Pro/E file		catalog no	CUSTOMER	

FCI CONFIDENTIAL



This document is the property of and embodies CONFIDENTIAL and PROPRIETARY information of FCI. No part of the information shown on this document may be used in any way or disclosed to others without the written consent of FCI. Copyright FCI.

PRODUCT NUMBER	SIZE	DIM A	DIM B
90311-Y04LF	2x2	2.0	4.4
90311-Y06LF	2x3	4.0	6.4
90311-Y08LF	2x4	6.0	8.4
90311-Y10LF	2x5	8.0	10.4
90311-Y12LF	2x6	10.0	12.4
90311-Y14LF	2x7	12.0	14.4
90311-Y16LF	2x8	14.0	16.4
90311-Y18LF	2x9	16.0	18.4
90311-Y20LF	2x10	18.0	20.4
90311-Y22LF	2x11	20.0	22.4
90311-Y24LF	2x12	22.0	24.4
90311-Y26LF	2x13	24.0	26.4
90311-Y28LF	2x14	26.0	28.4
90311-Y30LF	2x15	28.0	30.4
90311-Y32LF	2x16	30.0	32.4
90311-Y34LF	2x17	32.0	34.4
90311-Y36LF	2x18	34.0	36.4
90311-Y38LF	2x19	36.0	38.4
90311-Y40LF	2x20	38.0	40.4
90311-Y42LF	2x21	40.0	42.4
90311-Y44LF	2x22	42.0	44.4
90311-Y46LF	2x23	44.0	46.4
90311-Y48LF	2x24	46.0	48.4
90311-Y50LF	2x25	48.0	50.4



Material		Spec ref		
Mat code		✓	tolerance	projection
Heattreat				
Plating/Finish				MM
Dr	D WHITING	1991-08-27	size	A3
Eng	S. OLSON	1991-08-27	Product family	Scale 8:1
Chr	J.COMPAGNON	11.12.01	Model Name	90311 ECN
Appr	JCO	11.12.01	Model Revision	REL Level proi_release
	title	MINITEK CTW HSG.DBL ROW		Rev.
		POL & LATCHING, HIGH TEMPERATURE		U
Pro/E file	catalog no	CUSTOMER		sheet 2 of 2