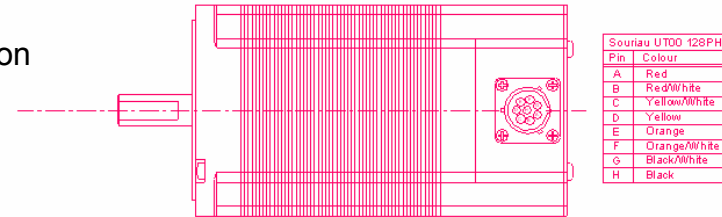
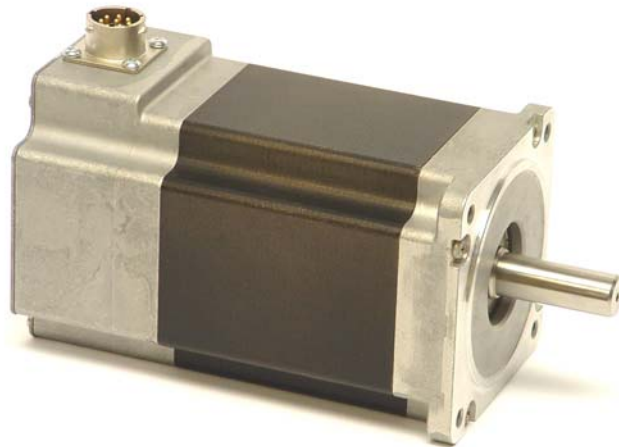
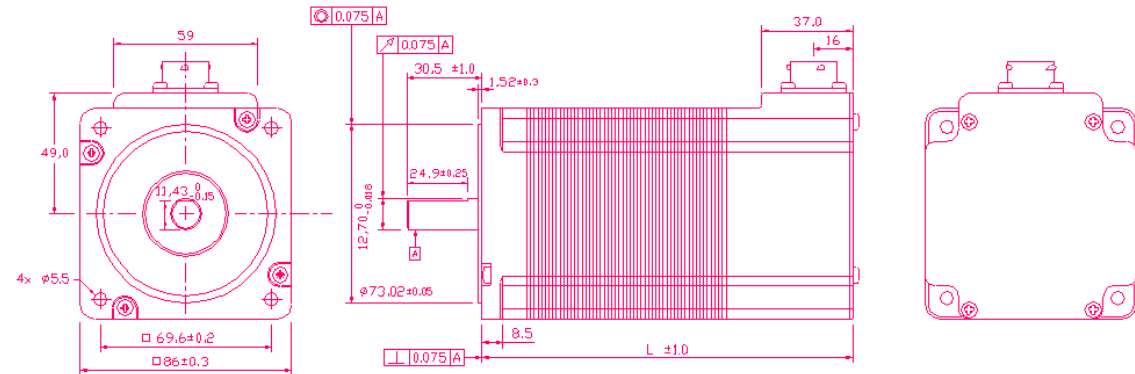


34HT18C series stepper motors with 8-way connector

- Excellent EMC Characteristics
- Simple connection via 8-way connector
- Unipolar, Bipolar Parallel or Series
- High Torque
- Low Vibration
- High Quality
- Special versions available on request



Pin	Colour
A	Red
B	Red/White
C	Yellow/White
D	Yellow
E	Orange
F	Orange/White
G	Black/White
H	Black



<u>Part Number</u>	<u>Step Angle</u>	<u>Body Length "L"</u>	<u>Unipolar Phase Current</u>	<u>Unipolar Phase Voltage</u>	<u>Unipolar Resistance</u>	<u>Unipolar Inductance</u>	<u>Holding Torque (2 ph on)</u>	<u>Rotor Inertia</u>	<u>Mass</u>
34HT18C145	1.8°	112.5 mm	4.5A	1.8V	0.40Ω	1.75mH	2.45Nm	1.6kgcm ²	2.5kg
34HT18C245	1.8°	151.0 mm	4.5A	2.8V	0.62Ω	3.1mH	5.40Nm	3.9kgcm ²	3.9kg
34HT18C340	1.8°	189.5 mm	4.0A	3.4V	0.84Ω	4.7mH	7.35Nm	4.8kgcm ²	5.4kg

UNIPOLAR Values shown - For Bipolar Parallel connection multiply I x √2, V x 1, R x 0.5, L x 1

McLennan Servo Supplies Ltd

Unit 1, The Royston Centre
Lynchford Lane
Ash Vale, Surrey
GU12 5PQ - UK

Tel 08707 700700
Fax 08707 700699
Email sales@mcclennan.co.uk
Web: www.mcclennan.co.uk

