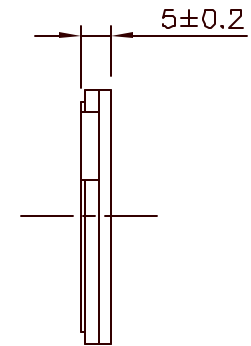
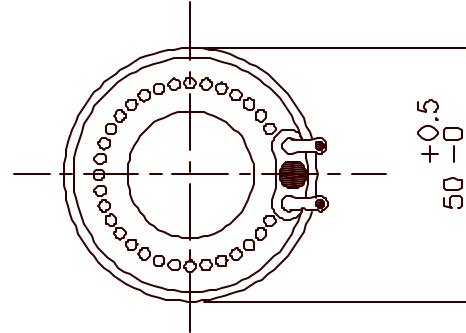
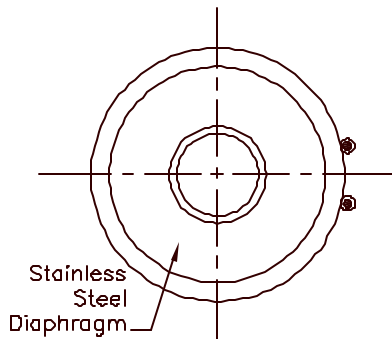


SPECIFICATIONS

PARAMETERS	VALUES	UNITS
Rated Input Power	0.4	W
Maximum Input Power	0.8	W
Impedance @ 1 kHz	8	Ohm
Sound Pressure Level @ 1D cm	70	dB
Frequency Response	500 ~ 4000	Hz
Distortion (max.) @ 2 kHz	10	%
Humidity @ 40°C (RH)	90	%
Operating Temperature Range	-20 ~ +55	°C
Storage Temperature Range	-40 ~ +80	°C
Housing Material	ABS Black	
Weight	12	g

REVISIONS

LTR	DESCRIPTION	DATE	APPROVED
-	RELEASED FROM ENGINEERING	05/08/02	



NOTES:

1. ALL DIMENSIONS ARE IN MILLIMETERS.
2. SPECIFICATION SUBJECT TO CHANGE OR WITHDRAWAL WITHOUT NOTICE.

DRAWING NAME  
FS50R80HM

UNLESS OTHERWISE SPECIFIED  
DIMENSIONS ARE IN MILLIMETERS  
TOLERANCES ARE:  
FRACTIONS DECIMALS ANGLES  
± — XX ± XX ±  
XX.X ± —

APPROVALS	DATE
DRAWN <i>RABL</i>	05/02
CHECKED	
APPROVED <i>S.J.</i>	05/09/02
DO NOT SCALE DRAWING	



projects®  
unlimited

Dayton, Ohio

DYNAMIC SPEAKER  
FS-50R 8 OHM

SIZE A	MATERIAL	DRAWING NO. FS50R80HM.DWG
NOT TO SCALE	MAX. WT.	SHEET 1 OF 1