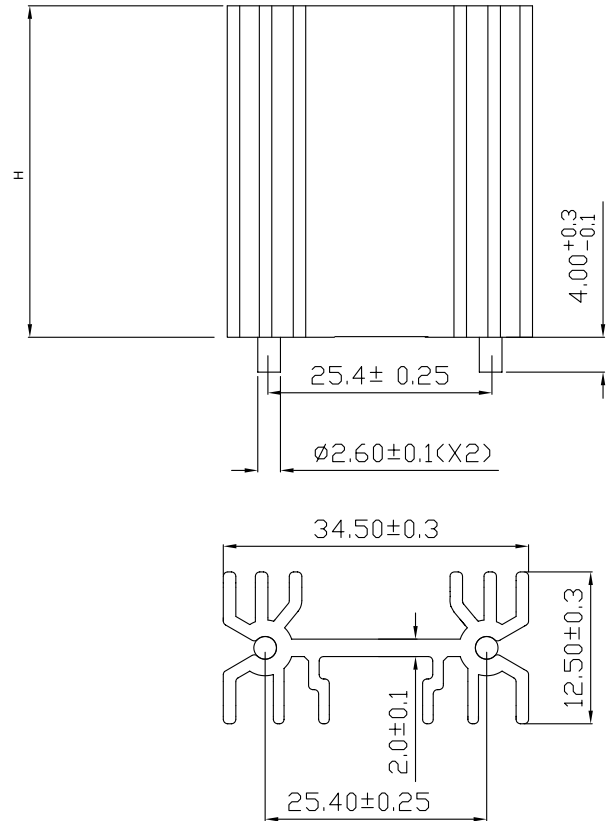


Heatsink Extruded

Compact, vertical mounting extruded heat-sink with solderable fixing pins. Designed for a single TO220 package via clip available separately.

Product Features:

- Choice of thermal resistance
- Solderable mounting pins
- Black anodize finish



Ant Group No:	Thermal Resistance:	Height (mm):	Device Mtg:
HHS-3426	11.4°C/W	25.0	Clip 1
HHS-3447	10.2°C/W	38.0	Clip 1
HHS-3458	8.8°C/W	50.0	Clip 1

Ant Group No:	Description:
HHS-3010	Clip 1

