

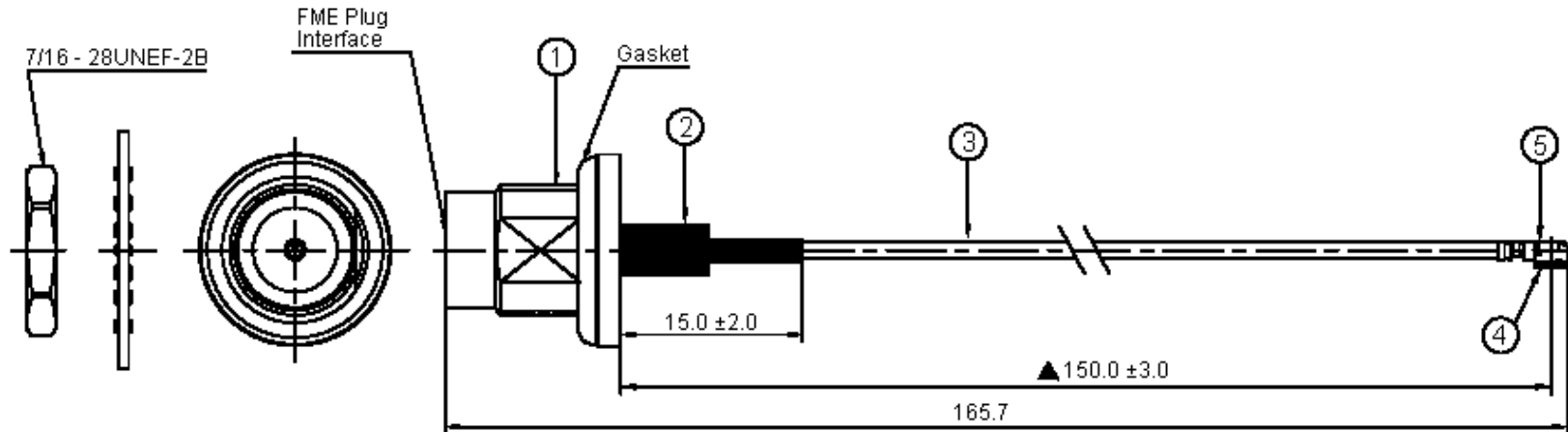


PART NO.

R-P31G7210150CC

REVISIONS

ECN #	REV	DESCRIPTION	DRAWN	DATE	CHECKD	DATE	APPRVD	DATE
-	A	RELEASED	Veena	21/04/09	Suresh	21/04/09	Farnell	05/05/09



Dimensions : Millimetres

Specifications:

Electrical Performance:

Impedance	: 50Ω.
Frequency range	: DC to 3.0GHz.
Maximum working voltage	: 500V rms.
Maximum dielectric withstanding voltage	: 1500V rms.
Minimum insulation resistance	: 500MΩ.

Specification Table

Item	Description	Part Number
1	FME Bulkhead Plug for ϕ 1.13mm, ϕ 1.32mm and ϕ 1.37mm Cable (Nut x 1, Washer x 1, Gasket x 1)	R-P31G7210150CC
2	Heat Shrink Tube F32 ϕ 3.0mm L = 15.0mm Colour: Black	
3	ϕ 1.37mm Cable Colour: Black	
4	U.FL-088 Terminal for ϕ 1.37mm Cable	
5	U.FL-LP-088 Shell for ϕ 1.37mm Cable	

<http://www.farnell.com>
<http://www.newark.com>
<http://www.cpc.co.uk>

This data sheet and its contents (the "Information") belong to the Premier Farnell Group (the "Group") or are licensed to it. No licence is granted for the use of it other than for information purposes in connection with the products to which it relates. No licence of any intellectual property rights is granted. The Information is subject to change without notice and replaces all data sheets previously supplied. The Information supplied is believed to be accurate but the Group assumes no responsibility for its accuracy or completeness, any error in or omission from it or for any use made of it. Users of this data sheet should check for themselves the Information and the suitability of the products for their purpose and not make any assumptions based on information included or omitted. Liability for loss or damage resulting from any reliance on the Information or use of it (including liability resulting from negligence or where the Group was aware of the possibility of such loss or damage arising) is excluded. This will not operate to limit or restrict the Group's liability for death or personal injury resulting from its negligence. SPC MULTICOMP is the registered trademark of the Group. © Premier Farnell plc 2009.

TOLERANCES:
UNLESS OTHERWISE SPECIFIED, DIMENSIONS ARE FOR REFERENCE PURPOSES ONLY.

DRAWN BY:	DATE:
Veena	21/04/09
CHECKED BY:	DATE:
Suresh	21/04/09
APPROVED BY:	DATE:
Farnell	05/05/09

DRAWING TITLE:

Cable Assembly - U.FL - FME, IP67, 150mm

SIZE	DWG NO.	ELECTRONIC FILE	REV
A	M10002085	1699265-TDS_DWG	A
SCALE: NTS	U.O.M.: mm	SHEET: 1 OF 1	